



---

# Illustrated Parts Manual

## E18MCL, E18MML, E18MSP

PVC 2402

3122326900

October 1, 2024 - Rev A

**ANSI**  **CE**   
**AS/NZS**

English (en-US)

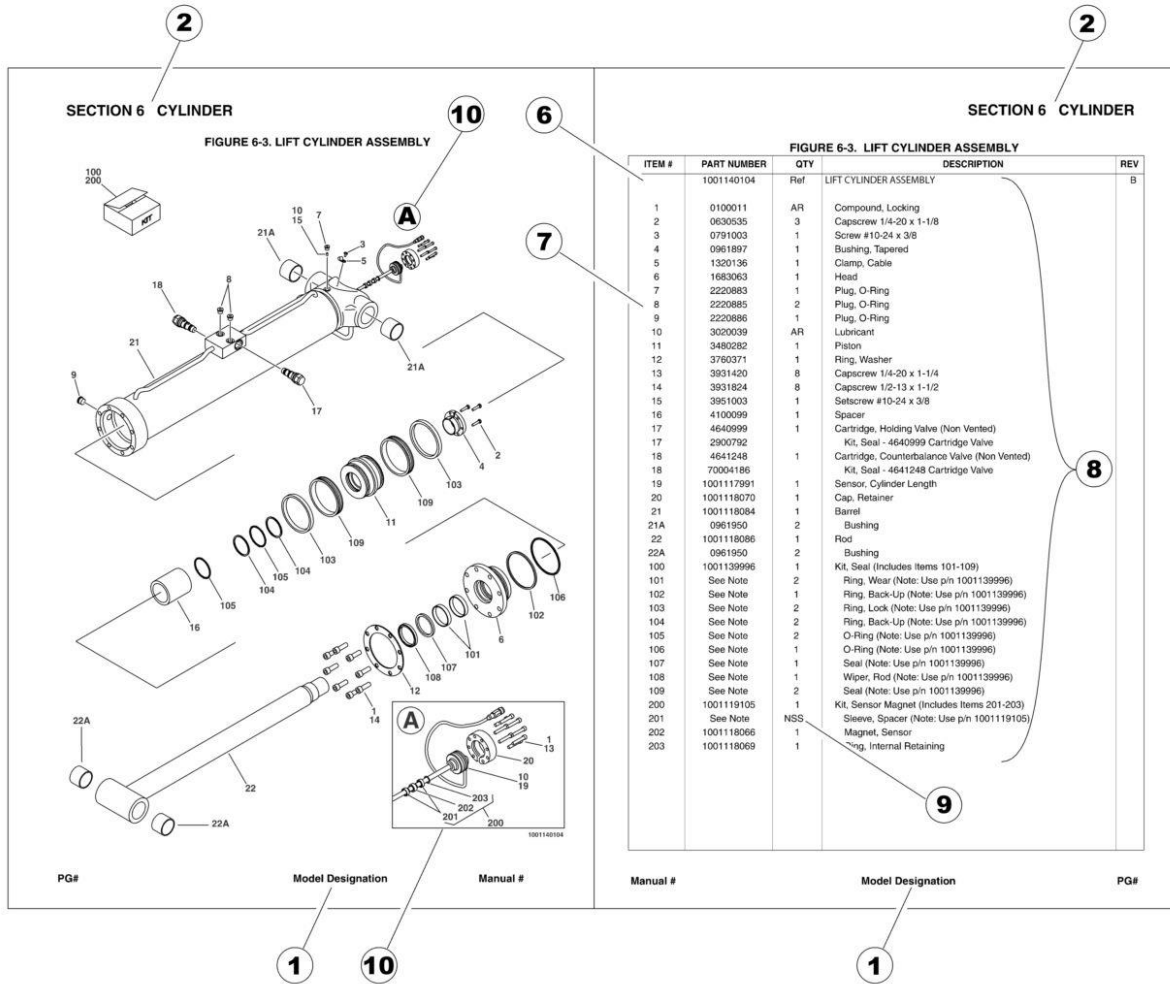
---



## REVISION LOG

October 1, 2024 - A - Original Issue of Manual (Edited to B/M 1001280000 Revision I)

# GENERAL INFORMATION



## 1) MACHINE IDENTIFICATION

Machines are identified by model and in some cases a combination of models, serial number (SN) or regional standard (i.e ANSI, CE, CSA). Components may also be identified by SN or manufacturer. Common components that may be identified by these characteristics are engines and hydraulic components.

## 2) PARTS MANUAL ORGANIZATION

Product information in this manual is organized under section titles. Frame, Cylinder, Hydraulic and Electrical are a few examples. Each section is organized by figure and page number. The information within the Figure is then organized by item number, part number, description and corresponding illustration (s).

## 3) TABLE OF CONTENTS (NOT SHOWN)

A table of contents is found toward the beginning of the manual. Figure number, description and page number are provided for quick reference to the page containing the related information.

## 4) RECOMMENDED SPARE PARTS (NOT SHOWN)

The Recommended Spare Parts List, located near the end of the manual, reference most frequently used maintenance parts.

## 5) PART NUMBER INDEX (NOT SHOWN)

A numerical index listing all part numbers and the corresponding page number(s) appears at the back of the manual.

## GENERAL INFORMATION

### 6) NON-SERVICED PARTS

In some instances, it is necessary to display non-serviced parts, assemblies or installations. In the case of assemblies and installations there will be a Ref in the Qty. column. In case of parts that are not available for service within assemblies or components, there will be a NSS (Not Sold Separately) or NLA (No Longer Available) listed in the Qty. column of the manual.

### 7) PARTS LIST ITEM NUMBERS

Numbers shown in the item# column correspond to numbers used in the associated illustration (s). Item numbers which are missing from the sequence in the parts list are not used on that page.

### 8) INDENTED PARTS DESCRIPTION

An indented part description is included in the item under which it is indented.

### 9) ABBREVIATION AND SYMBOLS

AC.....	Alternating Current	L.....	Liter
ADE.....	Advanced Design Electronics	LB(LBS).....	Pounds
AG.....	Agricultural	LCD.....	Liquid Crystal Display
ANSI.....	American National Standards Institute	LED.....	Light Emitting Diodes
AR.....	As Required	LH.....	Left Hand
ASSY.....	Assembly	LRC.....	Low Rated Countries
AUS.....	Australia	LSS.....	Load Sensing System
AUX.....	Auxiliary	M(m).....	Metric/Meter
AWG.....	American Wire Gauge	MM(mm).....	Milimeter
B/M.....	Bill of Material	mA.....	Miliamps
CAC.....	Charge Air Cooler	NLA.....	No Longer Available
CE.....	European Conformity	NPT.....	National Pipe Threads
CCW.....	Counter Clockwise	NSS.....	Not Sold Separately
CM.....	Centimeter	OD.....	Outside Diameter
CW.....	Clockwise	ORB.....	O-Ring Boss
CSA.....	Canadian Standards Association	ORFS.....	O-Ring Face Seal
CYL.....	Cylinder	OZ (oz).....	Ounces
DIA.....	Diameter	PG.....	Page
DC.....	Direct Current	PN.....	Part Number
DEF.....	Diesel Exhaust Fluid	QT(qt.).....	Quarts
EMS.....	Emergency Stop	QTY.....	Quantity
ENG.....	Engine	REF.....	Reference
FT(ft).....	Feet	REV.....	Revision Level
GA(Ga).....	Gauge	RH.....	Right Hand
HRC.....	High Rated Countries	SAE.....	Society of Automotive Engineers
HVAC.....	Heating, Ventilating, and Air Conditioning	SN.....	Serial Number
HYD.....	Hydraulic	SPEC(S).....	Specifications
Hz.....	Hertz	T/T.....	Turntable
ID.....	Inside Diameter	UGM.....	Universal Ground Module
IN.....	inches	V.....	Volts
ISO.....	International Organization for Standards	W.....	Watts
JIC.....	Joint Industry Council	#.....	Number
KG.....	Kilogram		

### 10) ILLUSTRATION REFERENCE LETTERS

When necessary, illustrations may contain reference letters that are intended to track information (i. e. hoses, harnesses) from one point to another or to track visual enlargement of components to show details that may be located in another area on the illustration.

*Note: Due to continuous product improvements, JLG Industries, Inc. reserves the right to make specification changes without prior notification. Contact JLG Industries, Inc. for updated information.*



# TABLE OF CONTENTS

SECTION 1 - FRAME.....	11
FIGURE 1-1. STEER INSTALLATION - CASTER (Prior to SN 0130040291) .....	12
FIGURE 1-2. STEER INSTALLATION - HYDRAULIC (SN 0130040291 to Present) .....	14
FIGURE 1-3. DRIVE INSTALLATION.....	16
FIGURE 1-4. DRIVE/HUB ASSEMBLY .....	18
FIGURE 1-5. TIRE & WHEEL INSTALLATION .....	20
FIGURE 1-6. POTHOLE PROTECTION INSTALLATION .....	22
FIGURE 1-7. CLEAN GUARD INSTALLATION (E18MCL) .....	24
FIGURE 1-8. CLEAN GUARD INSTALLATION (E18MML,E18MSP) .....	26
FIGURE 1-9. FRAME COVERS INSTALLATION (BOTTOM) (MACHINES WITHOUT CLEAN GUARD).....	28
FIGURE 1-10. FRAME COVERS INSTALLATION (TOP) .....	30
FIGURE 1-11. BUMPER INSTALLATION .....	32
FIGURE 1-12. BUMPERS INSTALLATION.....	34
FIGURE 1-13. LADDER INSTALLATION .....	36
SECTION 2 - CONTROLS .....	39
FIGURE 2-1. HYDRAULIC COMPONENTS INSTALLATION (WITH CASTER STEER) .....	40
FIGURE 2-2. HYDRAULIC COMPONENTS INSTALLATION (WITH HYDRAULIC STEER) .....	42
FIGURE 2-3. MOTOR/PUMP/TANK ASSEMBLY.....	44
FIGURE 2-4. VALVE ASSEMBLY - MAIN (WITH HYDRAULIC STEER ONLY) .....	46
FIGURE 2-5. ELECTRICAL COMPONENTS INSTALLATION .....	48
FIGURE 2-6. BATTERY CHARGER INSTALLATION .....	50
FIGURE 2-7. BATTERY CHARGER INSTALLATION (650W) .....	52
FIGURE 2-8. BATTERY CHARGER INSTALLATION (1200W) .....	54
FIGURE 2-9. BATTERY CHARGER INSTALLATION .....	56
FIGURE 2-10. BEACON STROBE LIGHT INSTALLATION .....	58
FIGURE 2-11. SECOND BEACON STROBE LIGHT INSTALLATION .....	60
FIGURE 2-12. LOAD SENSING SYSTEM (LSS) INSTALLATION .....	62
FIGURE 2-13. MOBILE CONTROL INSTALLATION.....	64
FIGURE 2-14. TILT SENSOR INSTALLATION .....	66
FIGURE 2-15. PLATFORM CONSOLE BOX ASSEMBLY (E18MCL) .....	68
FIGURE 2-16. PLATFORM CONSOLE BOX ASSEMBLY (E18MML,E18MSP) .....	70
FIGURE 2-17. HOOD INSTALLATION.....	72
SECTION 3 - MAST .....	75
FIGURE 3-1. MAST INSTALLATION.....	76
FIGURE 3-2. MAST ASSEMBLY .....	78
FIGURE 3-3. MAST ASSEMBLY (SN M130012654 to Present) .....	84
FIGURE 3-4. MAST ASSEMBLY (SN M130014568 to Present) .....	90
SECTION 4 - PLATFORM.....	95
FIGURE 4-1. PLATFORM INSTALLATION - 22IN X 26IN (CEILING TILE INSTALLER).....	96
FIGURE 4-2. PLATFORM INSTALLATION - 28IN X 29.5IN (NON - EXTENDABLE/ALUMINUM TRAY/SALOON DOOR ENTRY) .....	98
FIGURE 4-3. PLATFORM INSTALLATION - 28IN X 29.5IN (NON - EXTENDABLE/MOLDED TRAY/DROPBAR ENTRY).....	100
FIGURE 4-4. PLATFORM INSTALLATION - 28IN X 29.5IN (NON - EXTENDABLE/MOLDED TRAY/SALOON DOOR ENTRY).....	102

# TABLE OF CONTENTS

FIGURE 4-5. PLATFORM INSTALLATION - 29.5IN X 51IN (EXTENDABLE/NO TRAY/DROPBAR ENTRY) .....	104
FIGURE 4-6. PLATFORM INSTALLATION - 29.5IN X 51IN (EXTENDABLE/NO TRAY/SALOON DOOR ENTRY) .....	108
FIGURE 4-7. PLATFORM INSTALLATION - 29.6IN X 26IN (NON - EXTENDABLE/NO TRAY/DROPBAR ENTRY) .....	112
FIGURE 4-8. GATE LATCH INSTALLATION.....	114
FIGURE 4-9. USB/PHONE CRADLE INSTALLATION.....	116
FIGURE 4-10. PLUG (NO USB) INSTALLATION .....	118
SECTION 5 - CYLINDER.....	121
FIGURE 5-1. LIFT CYLINDER ASSEMBLY .....	122
FIGURE 5-2. STEER CYLINDER ASSEMBLY (WITH HYDRAULIC STEERING).....	124
SECTION 6 - HYDRAULIC .....	127
FIGURE 6-1. HYDRAULIC COMPONENTS INSTALLATION (WITH CASTER STEER) .....	128
FIGURE 6-2. HYDRAULIC COMPONENTS INSTALLATION (WITH HYDRAULIC STEER).....	130
SECTION 7 - ELECTRICAL.....	133
FIGURE 7-1. ELECTRICAL LAYOUT .....	134
FIGURE 7-2. AC BOX AT PLATFORM INSTALLATION - 110V GFI .....	140
FIGURE 7-3. AC BOX AT PLATFORM INSTALLATION - 220V ANSI.....	142
FIGURE 7-4. AC BOX AT PLATFORM INSTALLATION - 220V CEE7 KEYED GROUND.....	144
FIGURE 7-5. AC BOX AT PLATFORM INSTALLATION - 220V CEE7 POST GROUND .....	146
FIGURE 7-6. AC BOX AT PLATFORM INSTALLATION - 220V CEE7 SIDE GROUND.....	148
FIGURE 7-7. AC BOX AT PLATFORM INSTALLATION - 220V IEC BLUE GROUND.....	150
FIGURE 7-8. AC BOX AT PLATFORM INSTALLATION - CUSTOMER SUPPLIED RECEPTACLE .....	152
FIGURE 7-9. BATTERIES AND CABLES INSTALLATION - AGM BATTERIES .....	154
FIGURE 7-10. BATTERIES AND CABLES INSTALLATION - STANDARD BATTERIES.....	156
FIGURE 7-11. BATTERIES AND CABLES INSTALLATION - LITHIUM BATTERIES .....	158
FIGURE 7-12. BATTERIES AND CABLES INSTALLATION - LITHIUM+ BATTERIES .....	160
FIGURE 7-13. BATTERY CHARGER PLUG INSTALLATION - 110V PLUG.....	162
FIGURE 7-14. BATTERY CHARGER PLUG INSTALLATION - AFSINT107 PLUG .....	164
FIGURE 7-15. BATTERY CHARGER PLUG INSTALLATION - CEE7 PLUG.....	166
FIGURE 7-16. BATTERY CHARGER PLUG INSTALLATION - CHINA PLUG .....	168
FIGURE 7-17. BATTERY CHARGER PLUG INSTALLATION - IEC BLUE.....	170
FIGURE 7-18. BATTERY CHARGER PLUG INSTALLATION - IEC YELLOW .....	172
FIGURE 7-19. BATTERY CHARGER PLUG INSTALLATION - CUSTOMER SUPPLIED PLUG .....	174
FIGURE 7-20. BREAKER BOX ASSEMBLY WITH 1 DOUBLE BREAKER.....	176
FIGURE 7-21. BREAKER BOX ASSEMBLY WITH 3 BREAKERS .....	178
FIGURE 7-22. CHARGER HARNESS .....	180
FIGURE 7-23. CHARGER JUMPER HARNESS.....	182
FIGURE 7-24. CHASSIS HARNESS.....	184
FIGURE 7-25. CLEARSKY TELEMATICS INSTALLATION - 4G CANBUS.....	188
FIGURE 7-26. CLEARSKY TELEMATICS INSTALLATION - 3G CANBUS (AUSTRALIAN SPECS).....	190
FIGURE 7-27. CLEARSKY TELEMATICS INSTALLATION - 3G CANBUS (CE SPECS) .....	192
FIGURE 7-28. CLEARSKY TELEMATICS INSTALLATION - 3-WIRE GT1030 .....	194
FIGURE 7-29. CLEARSKY TELEMATICS HARNESS - CANBUS.....	196
FIGURE 7-30. CLEARSKY TELEMATICS HARNESS - GT1030.....	198

# TABLE OF CONTENTS

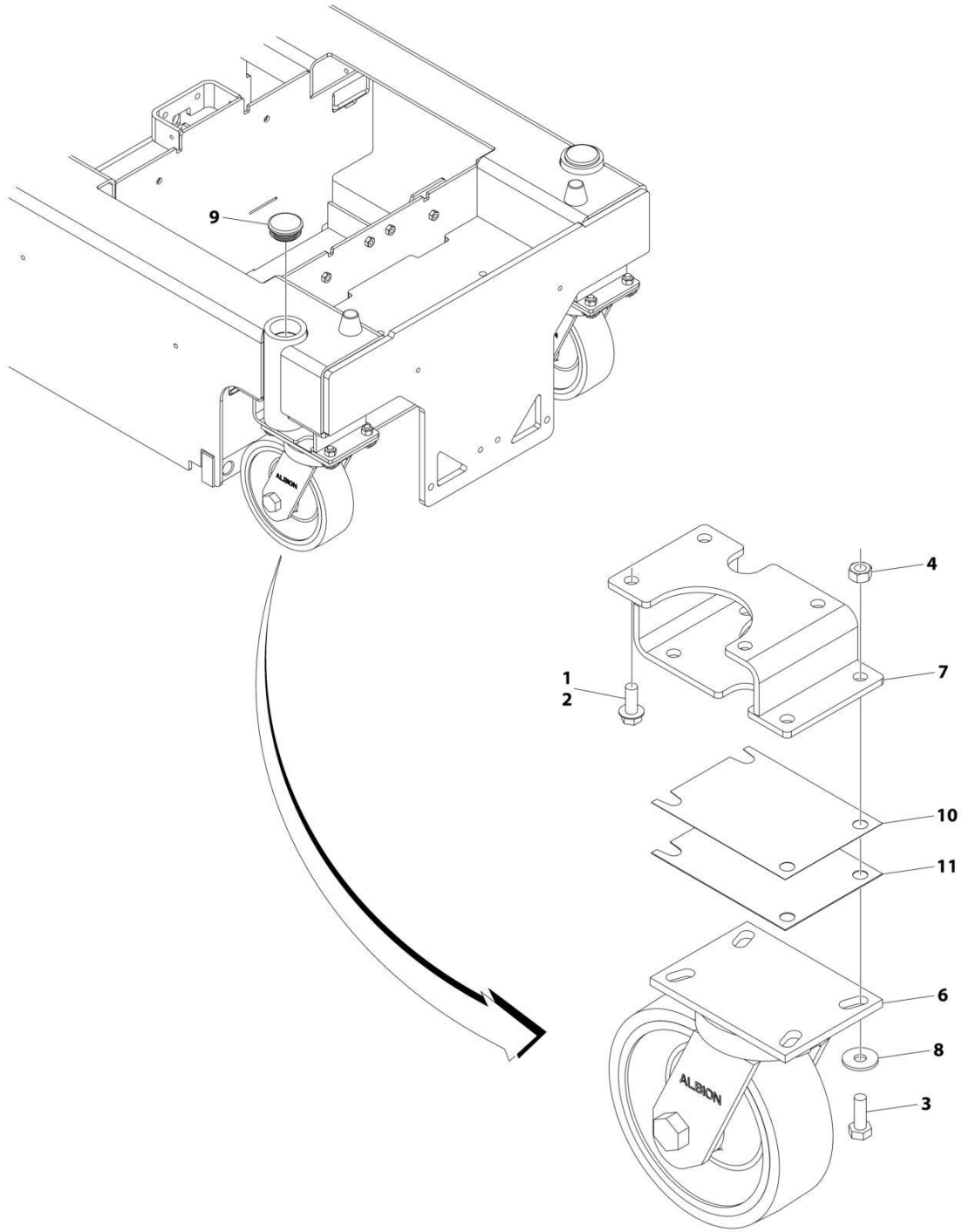
FIGURE 7-31. GATE ALARM HARNESS INSTALLATION .....	200
FIGURE 7-32. GROUND TO PLATFORM HARNESS INSTALLATION (WITHOUT GATE ALARM) .....	202
FIGURE 7-33. GROUND TO PLATFORM HARNESSES INSTALLATION (WITH GATE ALARM).....	204
FIGURE 7-34. GROUND TO PLATFORM (MAST) HARNESS .....	206
FIGURE 7-35. LITHIUM BATTERY HARNESS .....	208
FIGURE 7-36. MOBILE CONTROL HARNESS.....	210
FIGURE 7-37. PLATFORM CONSOLE HARNESS.....	212
FIGURE 7-38. PLATFORM HARNESS (WITH COIL CABLE).....	214
FIGURE 7-39. PLATFORM HARNESS (WITHOUT COIL CABLE) .....	216
FIGURE 7-40. RECEPTACLE BOX KIT - 110V GFI.....	218
FIGURE 7-41. RECEPTACLE BOX KIT - 220V CEE7 KEYED GROUND .....	220
FIGURE 7-42. RECEPTACLE BOX KIT - 220V CEE7 POST GROUND.....	222
FIGURE 7-43. RECEPTACLE BOX KIT - 220V CEE7 SIDE GROUND .....	224
FIGURE 7-44. RECEPTACLE BOX KIT - 220V IEC BLUE .....	226
SECTION 8 - DECALS.....	229
FIGURE 8-1. DECALS INSTALLATION (ANSI/CSA SPECS) (ENGLISH LANGUAGE) .....	230
FIGURE 8-2. DECALS INSTALLATION (BRAZIL SPECS) (PORTUGUESE/SPANISH LANGUAGES) .....	232
FIGURE 8-3. DECALS INSTALLATION (CE SPECS) (ALL LANGUAGES).....	234
FIGURE 8-4. DECALS INSTALLATION (CHINA SPECS) (CHINA/ENGLISH LANGUAGES) .....	236
FIGURE 8-5. DECALS INSTALLATION (CSA SPECS) (ENGLISH/FRENCH LANGUAGES) .....	238
FIGURE 8-6. DECALS INSTALLATION (LATIN AMERICAN SPECS) (SPANISH/ENGLISH LANGUAGES).....	240
FIGURE 8-7. DECAL INSTALLATION - OPTIONS .....	242
SECTION 9 - RECOMMENDED SERVICE PARTS STOCK .....	245
FIGURE 9-1. RECOMMENDED SERVICE PARTS STOCK .....	246
SECTION 10 - SPECIAL OPTIONS/ACCESSORIES/KITS .....	247
FIGURE 10-1. SPECIAL OPTIONS/ACCESSORIES/KITS .....	248
PART NUMBER INDEX .....	249



**SECTION 1 - FRAME**

# SECTION 1 - FRAME

FIGURE 1-1. STEER INSTALLATION - CASTER (Prior to SN 0130040291)



ART\_1001269620

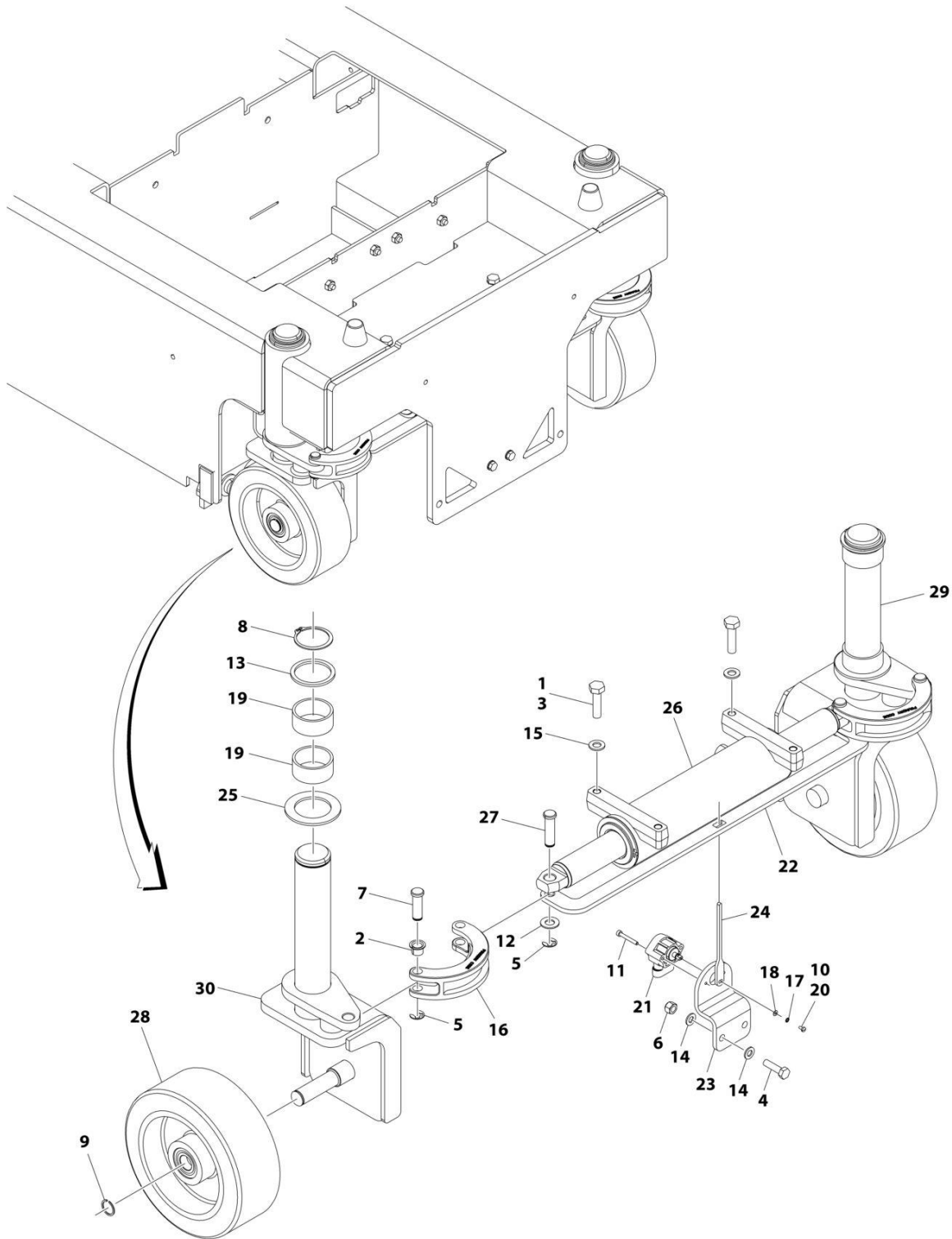
## SECTION 1 - FRAME

**FIGURE 1-1. STEER INSTALLATION - CASTER (Prior to SN 0130040291)**

ITEM	PART NUMBER	QTY	DESCRIPTION	REV
	1001269620	Ref	STEER INSTALLATION	E
1	0100011	AR	Compound Locking	
2	5251012	8	Bolt M10 x 25	
3	0761014	8	Bolt M10 x 30	
4	3291007	8	Nut M10	
6	1001097982	2	Wheel and Caster Assembly with Standard Tires	
7	1001270018	2	Bracket, Caster	
8	4812002	8	Washer M10	
9	1001278116	4	Plug	
10	4071077	AR	Shim	
10	1001301136	1	Shim	
11	4071078	AR	Shim	
11	1001301137	1	Shim	

# SECTION 1 - FRAME

## FIGURE 1-2. STEER INSTALLATION - HYDRAULIC (SN 0130040291 to Present)



ART\_1001289395

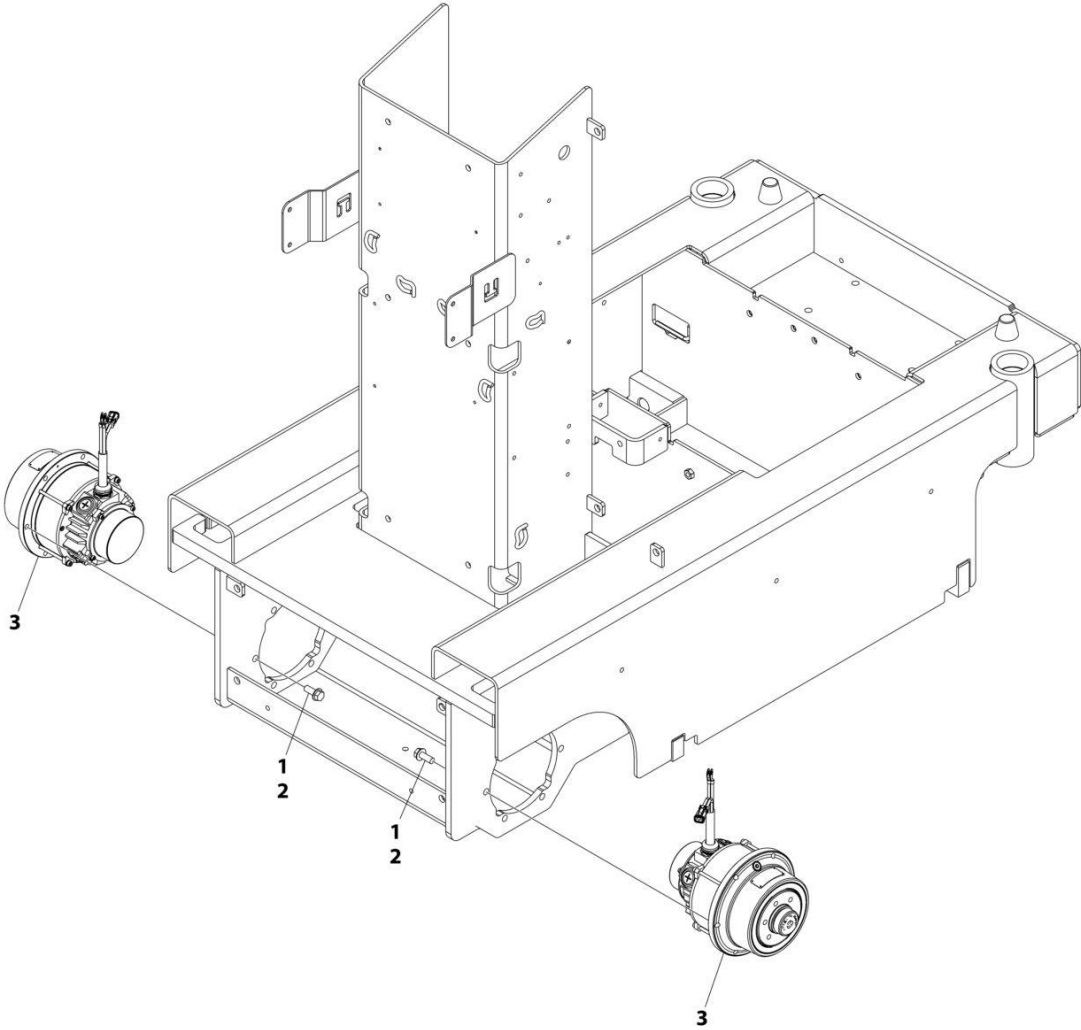
## SECTION 1 - FRAME

**FIGURE 1-2. STEER INSTALLATION - HYDRAULIC (SN 0130040291 to Present)**

ITEM	PART NUMBER	QTY	DESCRIPTION	REV
	1001289395	Ref	STEER INSTALLATION - HYDRAULIC	A
1	0100011	AR	Compound, Locking	
2	0440259	2	Bearing, Flange	
3	0701016	4	Bolt M8 x 30	
4	0760814	2	Bolt M8 x 30	
5	1380153	4	Clip	
6	3290805	2	Nut M8	
7	3423037	2	Pin, Clevis	
8	3760233	2	Ring, Snap	
9	3760496	2	Ring, Retaining	
10	4010303	1	Screw M3 x 6	
11	4031510	2	Bolt M4 x 30	
12	4711700	2	Washer 7/16	
13	4740332	2	Washer	
14	4811900	4	Washer M8	
15	4812000	4	Washer M10	
16	4846757	2	Bracket, Steering Knuckle	
17	4871200	1	Washer M3	
18	1001110544	1	Washer M3	
19	1001117969	4	Bushing	
20	1001180620	AR	Compound, Locking	
21	1001204939	1	Sensor, Angle	
22	1001269613	1	Bar, Steer Angle	
23	1001269614	1	Bracket, Sensor	
24	1001269615	1	Bar, Steer Whisker	
25	1001269616	2	Washer	
26	1001269703	1	Steer Cylinder Assembly (See Separate Breakdown in CYLINDER Section)	
27	1001269927	2	Pin, Clevis	
28	1001285149	2	Wheel	
29	1001287098	1	Spindle (LH)	
30	1001287099	1	Spindle (RH)	

**SECTION 1 - FRAME**

**FIGURE 1-3. DRIVE INSTALLATION**



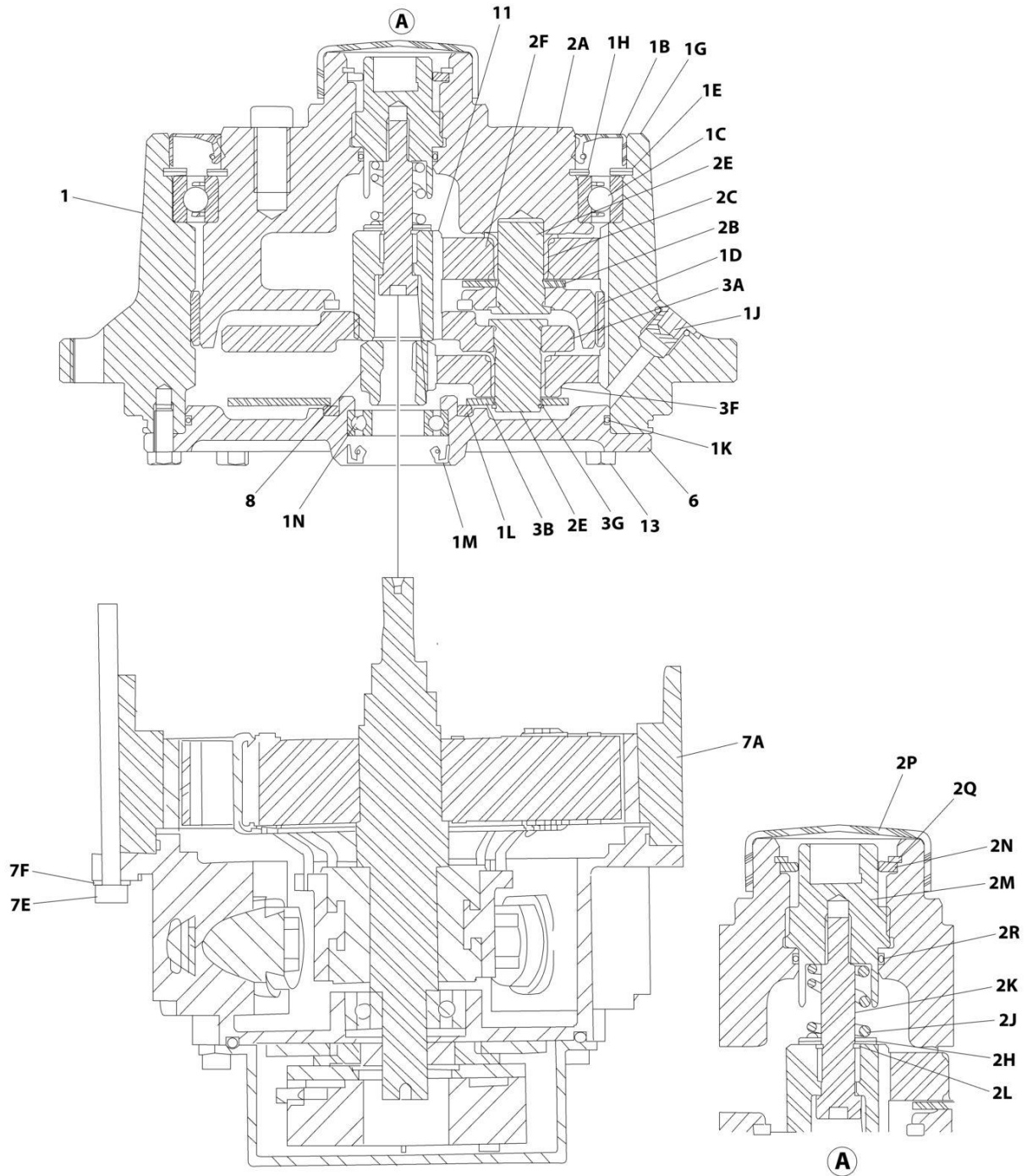
ART\_1001274554

**FIGURE 1-3. DRIVE INSTALLATION**

<b>ITEM</b>	<b>PART NUMBER</b>	<b>QTY</b>	<b>DESCRIPTION</b>	<b>REV</b>
	1001274554	Ref	DRIVE INSTALLATION	C
1	0100011	AR	Compound, Locking	
2	5251012	12	Bolt M10 x 25	
3	1001270169	2	Drive Motor/Hub Assembly (See Separate Breakdown in this Section)	

# SECTION 1 - FRAME

## FIGURE 1-4. DRIVE/HUB ASSEMBLY



ART\_1001270169

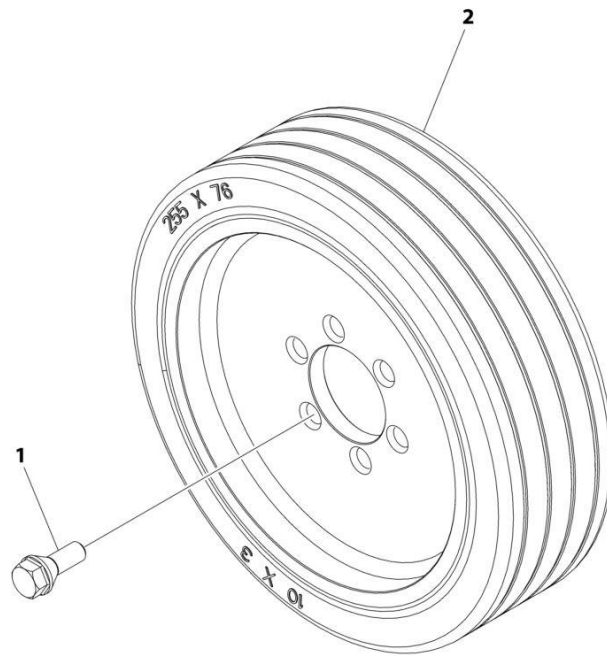
# SECTION 1 - FRAME

## FIGURE 1-4. DRIVE/HUB ASSEMBLY

ITEM	PART NUMBER	QTY	DESCRIPTION	REV
	1001270169	Ref	DRIVE MOTOR/HUB ASSEMBLY	D
1	See Note	NSS	Hub Assembly (Note: Purchase Individual Components)	
1B	70007915	1	Seal, Lip	
1C	70007911	1	Bearing	
1D	70007914	1	Bushing	
1E	70007920	1	Ring, Retaining	
1G	See Note	NSS	Housing/Ring Gear (Note: Use PN 1001270169)	
1H	70007921	1	Ring, Retaining	
1J	70007927	3	Plug	
1K	70007925	1	O-Ring	
1K	70007551	1	O-Ring	
1L	70007930	2	Washer, Thrust	
1M	70007916	1	Seal, Lip	
1N	70007913	1	Bearing	
2	See Note	NSS	Spindle/Carrier Assembly (Not Shown - Note: Purchase Individual Components)	
2A	See Note	NSS	Spindle/Carrier	
2B	70007931	2	Plate, Thrust	
2C	70007912	7	Bushing	
2E	70007905	7	Shaft, Planet	
2F	70007907	4	Gear, Planet	
2H	70007932	2	Washer, Thrust	
2J	70007917	1	Spring	
2K	70007923	1	Bolt 1/2 x 1-1/4	
2L	70007922	1	Ring, Retaining	
2M	70007909	1	Coupling	
2N	70007928	1	Washer	
2P	70007910	1	Cover	
2Q	70007919	1	Ring, Retaining	
2R	70007926	1	O-Ring	
3	See Note	NSS	Carrier Assembly (Not Shown - Note: Purchase Individual Components)	
3A	70007904	1	Carrier	
3B	70007929	1	Plate, Thrust	
3F	70007906	3	Gear, Planet	
3G	70007918	3	Ring, Retaining	
6	7000790	1	Cover	
7	See Note	NSS	Motor Assembly (Not Shown - Note: Purchase Individual Components)	
7A	70007936	1	Motor, Replacement	
7E	70007933	4	Bolt M5 x 75	
7F	70007934	4	Washer	
8	70007902	1	Gear, Sun	
11	70007903	1	Gear, Sun	
13	70007924	6	Bolt M5 x 12	

# SECTION 1 - FRAME

## FIGURE 1-5. TIRE & WHEEL INSTALLATION



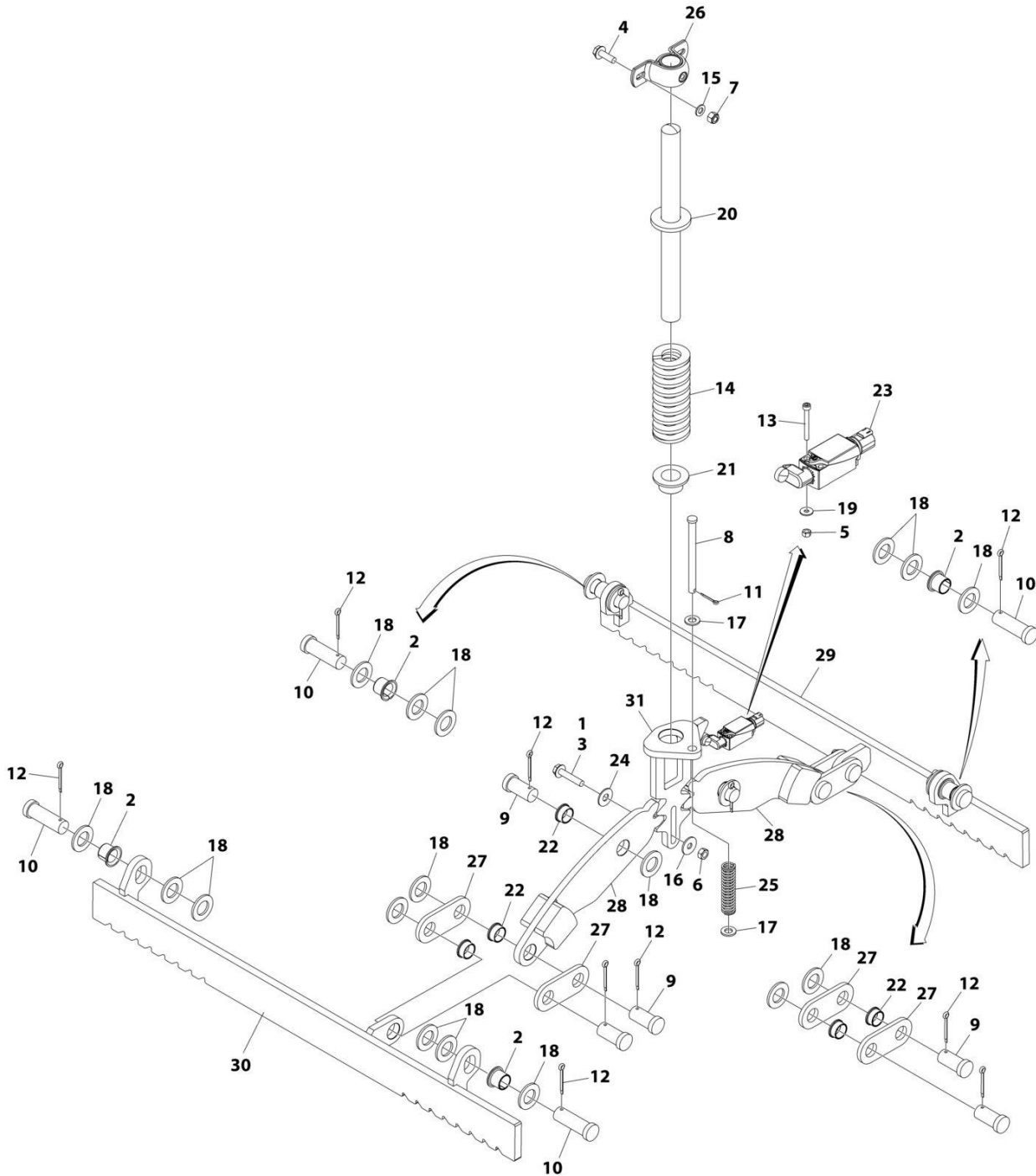
ART\_1001270039

**FIGURE 1-5. TIRE & WHEEL INSTALLATION**

<b>ITEM</b>	<b>PART NUMBER</b>	<b>QTY</b>	<b>DESCRIPTION</b>	<b>REV</b>
	1001270039	Ref	TIRE AND WHEEL INSTALLATION	C
1	1001245139	12	Bolt M10 x 1-1/2	
2	1001241601	2	Tire and Wheel (Non - Marking)	

# SECTION 1 - FRAME

## FIGURE 1-6. POTHOLE PROTECTION INSTALLATION



ART\_1001269670

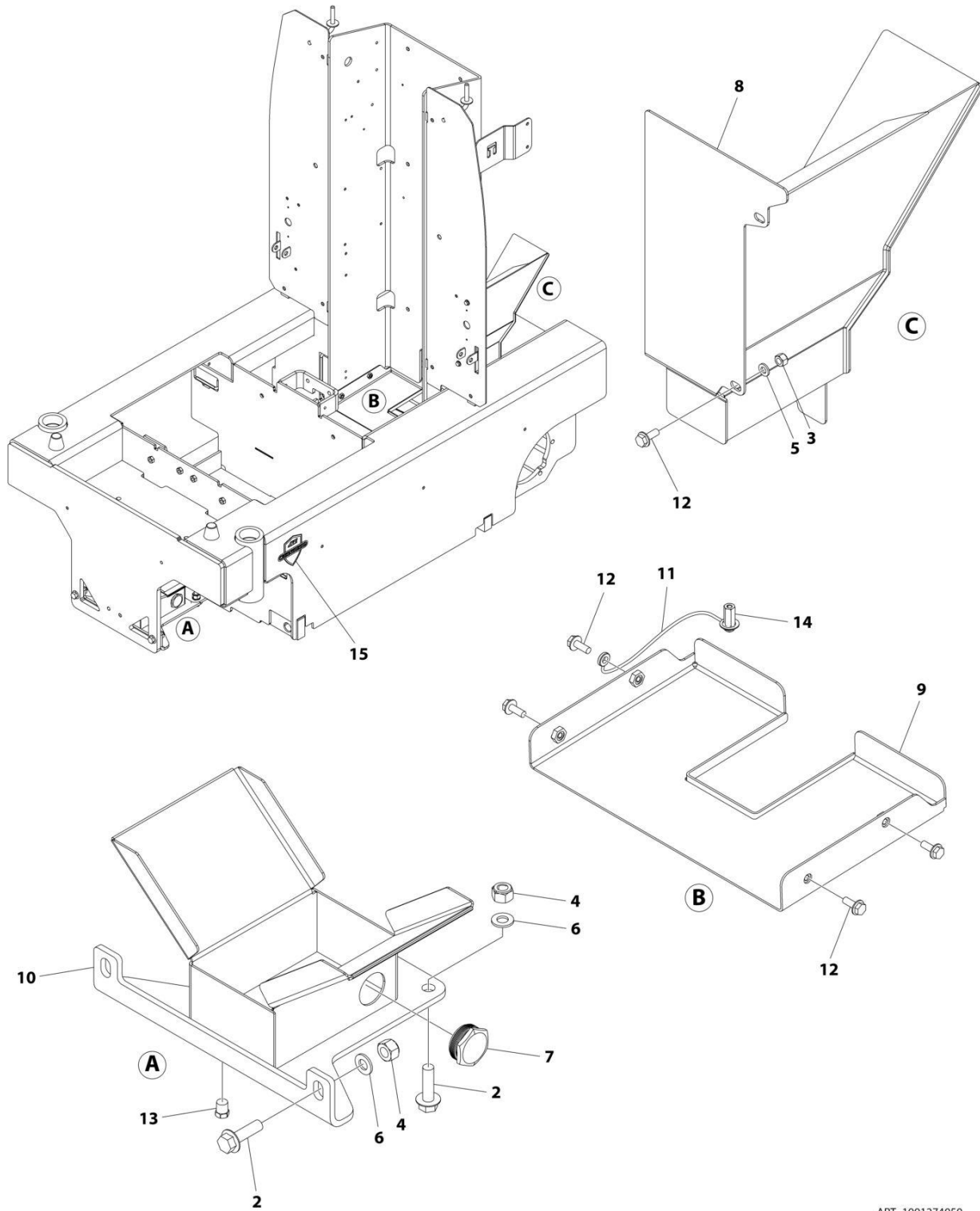
# SECTION 1 - FRAME

## FIGURE 1-6. POTHOLE PROTECTION INSTALLATION

ITEM	PART NUMBER	QTY	DESCRIPTION	REV
	1001269670	Ref	POTHOLE PROTECTION INSTALLATION	D
1	0100011	AR	Compound, Locking	
2	0440263	4	Bearing, Flange	
3	5250816	1	Bolt M8 x 40	
4	5250812	2	Bolt M8 x 25	
5	3311405	2	Nut M4	
6	3290801	1	Nut M8	
7	3290805	2	Nut M8	
8	3430636	1	Pin, Clevis	
9	3431212	6	Pin, Clevis	
10	3431218	4	Pin, Clevis	
11	3450303	1	Pin, Cotter	
12	3450405	10	Pin, Cotter	
13	4031511	2	Bolt M4 x 35	
14	4160202	1	Spring, Actuator	
15	4811900	2	Washer M8	
16	4811902	1	Washer M8	
17	4812000	2	Washer M10	
18	4812500	18	Washer M20	
19	1001091102	2	Washer M4	
20	1001202988	1	Actuator (Upper)	
21	1001203869	1	Bearing, Flange	
22	1001203870	6	Bearing, Flange	
23	1001203871	1	Switch, Roller	
23	1001284507	1	Switch, Roller	
24	1001203872	1	Washer 3/8	
25	1001212068	1	Spring, Compression	
26	1001215953	1	Bearing	
27	1001236849	4	Link	
28	1001275000	2	Cam	
29	1001269665	1	Bar, Pothole (Left)	
30	1001269666	1	Bar, Pothole (Right)	
31	1001269669	1	Actuator (Lower)	
32	5250810	2	Bolt M8 x 20 (Not Shown)	
33	1001300505	1	Plate (Not Shown)	

# SECTION 1 - FRAME

## FIGURE 1-7. CLEAN GUARD INSTALLATION (E18MCL)



ART\_1001274050

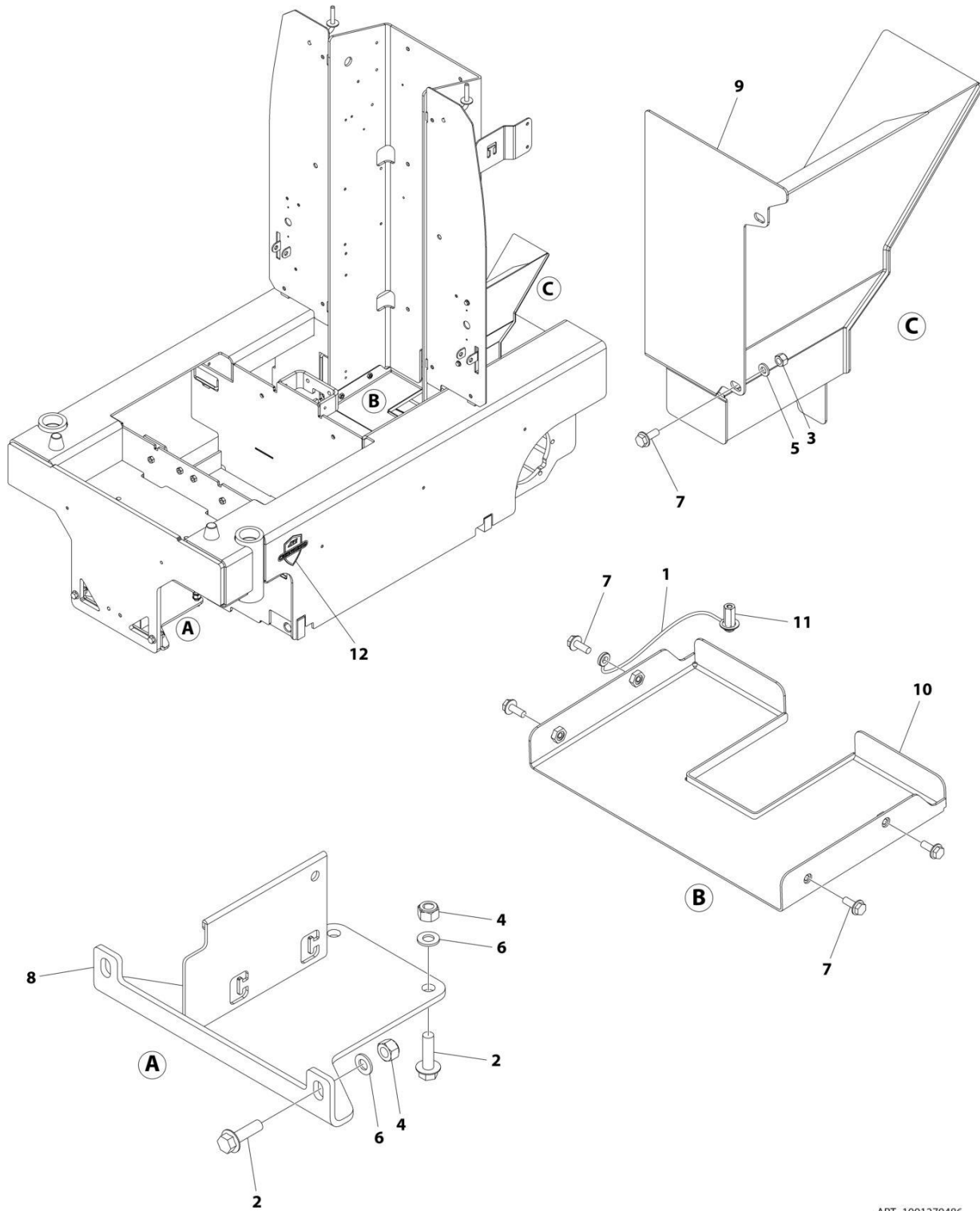
## SECTION 1 - FRAME

**FIGURE 1-7. CLEAN GUARD INSTALLATION (E18MCL)**

ITEM	PART NUMBER	QTY	DESCRIPTION	REV
	1001274050	Ref	CLEAN GUARD INSTALLATION	C
2	0781015	4	Bolt M10 x 35	
3	3290605	2	Nut M6	
4	3291005	4	Nut M10	
5	4811700	2	Washer M6	
6	4812000	4	Washer M10	
7	1001274046	1	Gauge, Sight	
8	1001274047	1	Panel (Tank)	
9	1001274048	1	Panel (Mast)	
10	1001274049	1	Panel (Front Frame)	
11	1060697	1	Lanyard	
12	5250608	6	Bolt M6 x 16	
13	1001110712	1	Plug	
14	1001279684	1	Plug, Expansion	
15	1001262581	1	Decal - Clean Guard	

# SECTION 1 - FRAME

## FIGURE 1-8. CLEAN GUARD INSTALLATION (E18MML,E18MSP)



ART\_1001279486

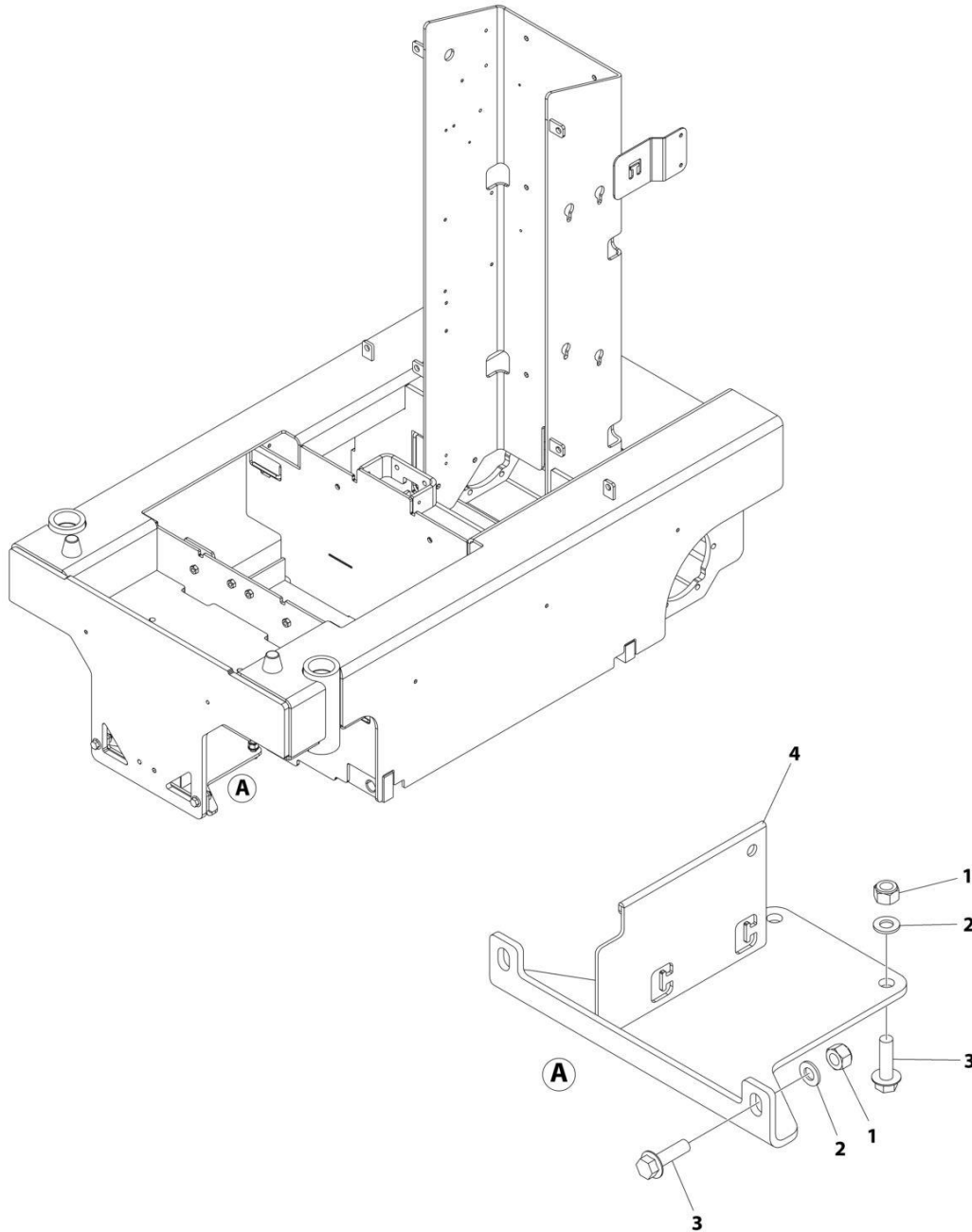
## SECTION 1 - FRAME

### FIGURE 1-8. CLEAN GUARD INSTALLATION (E18MML,E18MSP)

ITEM	PART NUMBER	QTY	DESCRIPTION	REV
	1001279486	Ref	CLEAN GUARD INSTALLATION	B
1	1060697	1	Lanyard	
2	0781015	4	Bolt M10 x 35	
3	3290605	2	Nut M6	
4	3291005	4	Nut M10	
5	4811700	2	Washer M6	
6	4812000	4	Washer M10	
7	5250608	6	Bolt M6 x 16	
8	1001271572	1	Panel	
9	1001274047	1	Panel (Tank)	
10	1001274048	1	Panel (Mast)	
11	1001279684	1	Plug, Expansion	
12	1001262581	1	Decal - Clean Guard	

# SECTION 1 - FRAME

FIGURE 1-9. FRAME COVERS INSTALLATION (BOTTOM) (MACHINES WITHOUT CLEAN GUARD)



ART\_1001271573

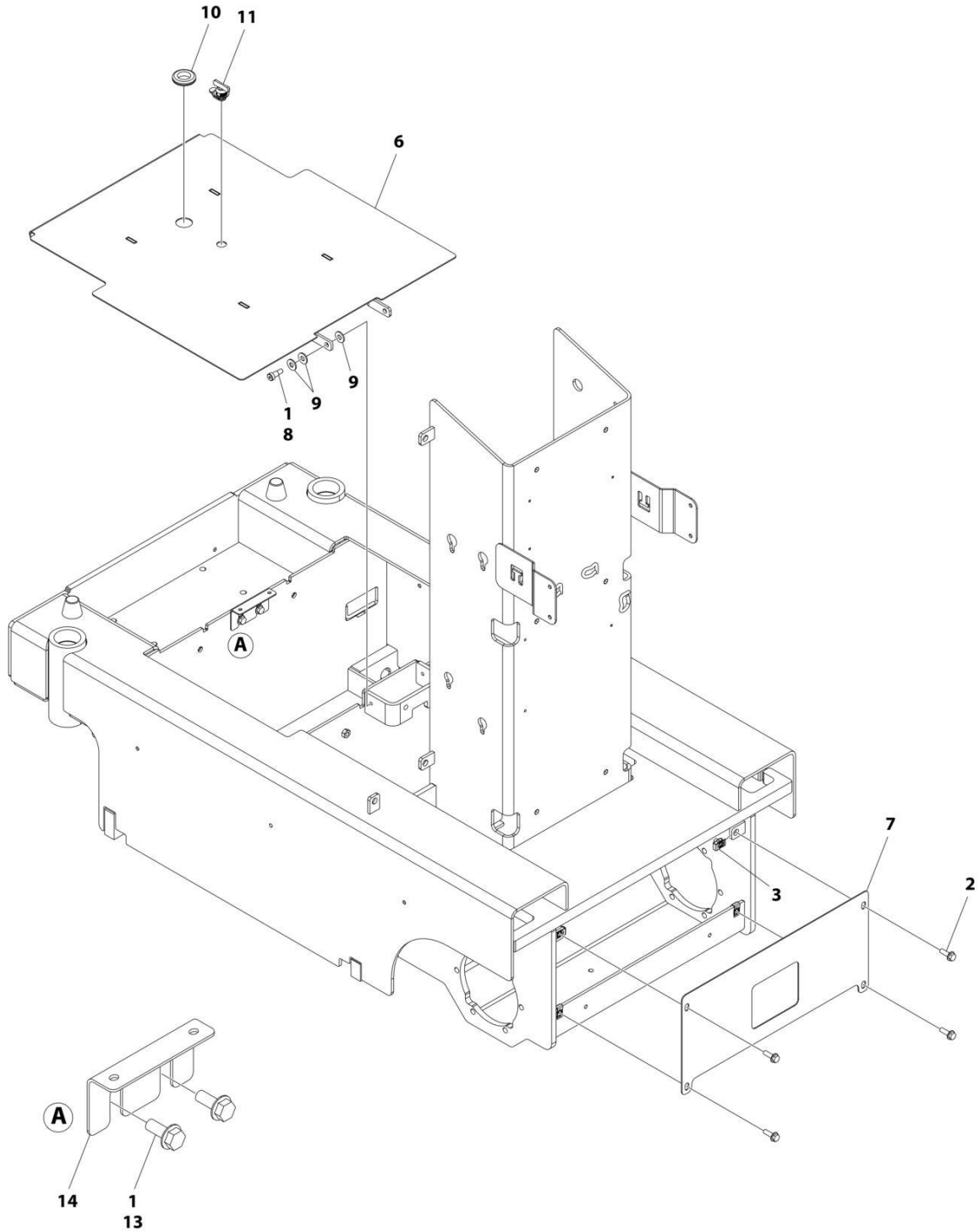
**SECTION 1 - FRAME**

**FIGURE 1-9. FRAME COVERS INSTALLATION (BOTTOM) (MACHINES WITHOUT CLEAN GUARD)**

ITEM	PART NUMBER	QTY	DESCRIPTION	REV
	1001271573	Ref	FRAME COVERS INSTALLATION (BOTTOM) (MACHINES WITHOUT CLEAN GUARD)	B
1	3291005	4	Nut M10	
2	4812000	4	Washer M10	
3	0781015	4	Bolt M10 x 35	
4	1001271572	1	Panel	

# SECTION 1 - FRAME

## FIGURE 1-10. FRAME COVERS INSTALLATION (TOP)



ART\_1001270044

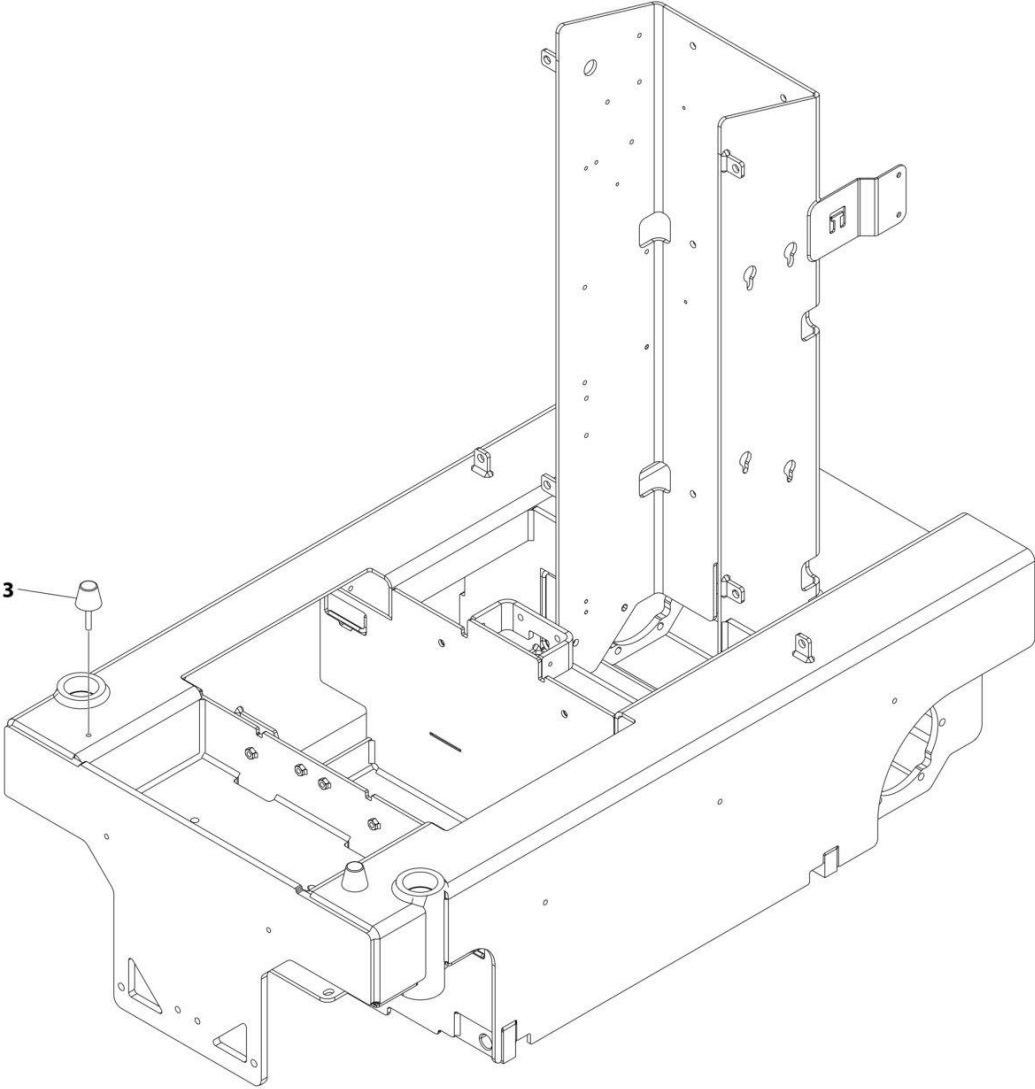
## SECTION 1 - FRAME

### FIGURE 1-10. FRAME COVERS INSTALLATION (TOP)

ITEM	PART NUMBER	QTY	DESCRIPTION	REV
	1001270044	Ref	FRAME COVERS INSTALLATION (TOP)	F
1	0100011	AR	Compound, Locking	
2	5250812	4	Bolt M8 x 25	
3	1001118274	4	Nut M8	
6	1001277726	1	Panel, Battery Cover	
7	1001270140	1	Panel, Rear Cover	
8	3900190	2	Screw 3/8 x 1/2	
9	4751500	6	Washer 5/16	
10	1001187861	1	Grommet	
11	1001279461	1	Latch, Battery Cover	
13	5250810	2	Bolt M8 x 20	
14	1001289826	1	Bracket, Latch Support	

**SECTION 1 - FRAME**

**FIGURE 1-11. BUMPER INSTALLATION**



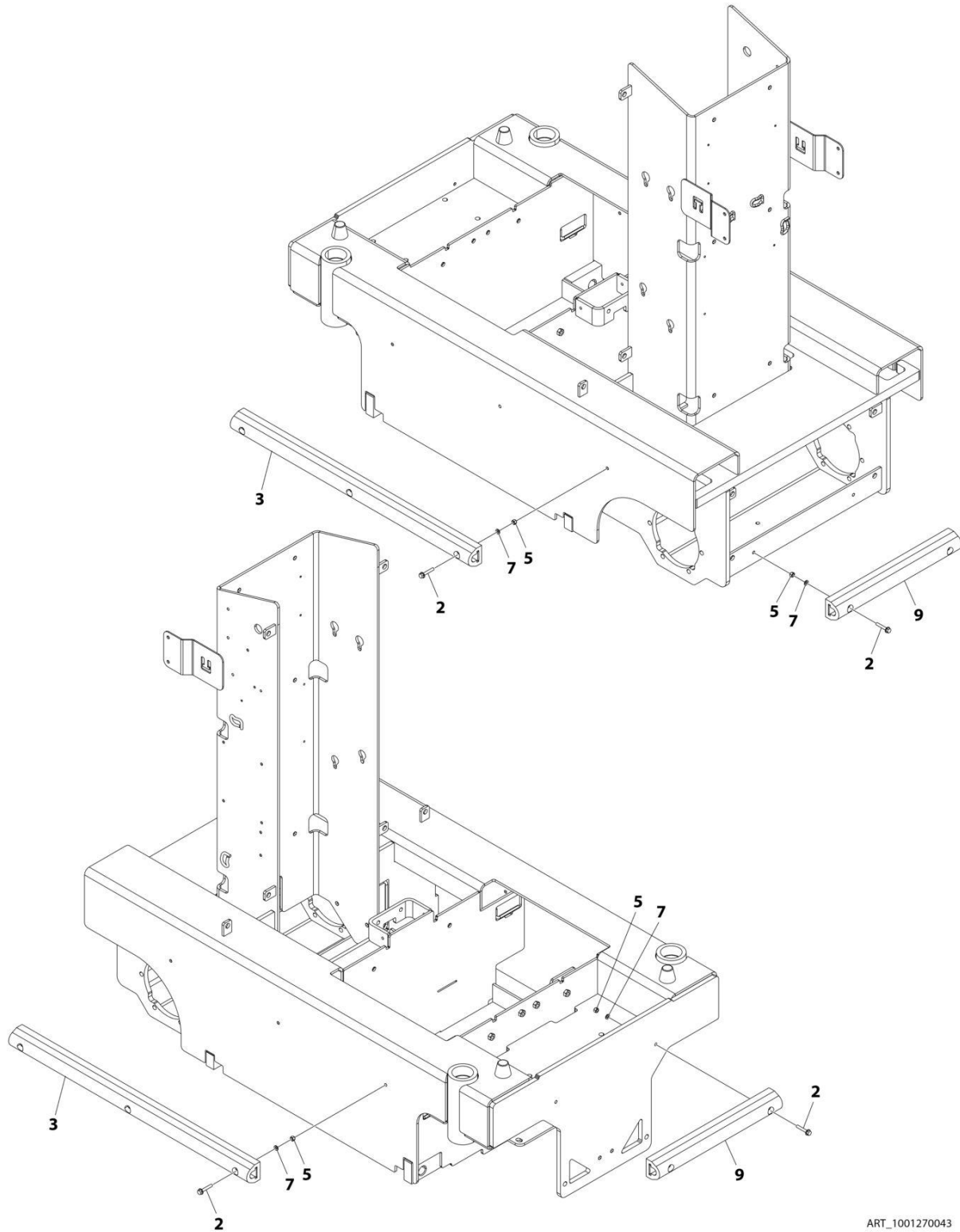
ART\_1001269744

**FIGURE 1-11. BUMPER INSTALLATION**

ITEM	PART NUMBER	QTY	DESCRIPTION	REV
3	1001269744 0940088	Ref 2	BUMPER INSTALLATION Bumper	B

# SECTION 1 - FRAME

## FIGURE 1-12. BUMPERS INSTALLATION



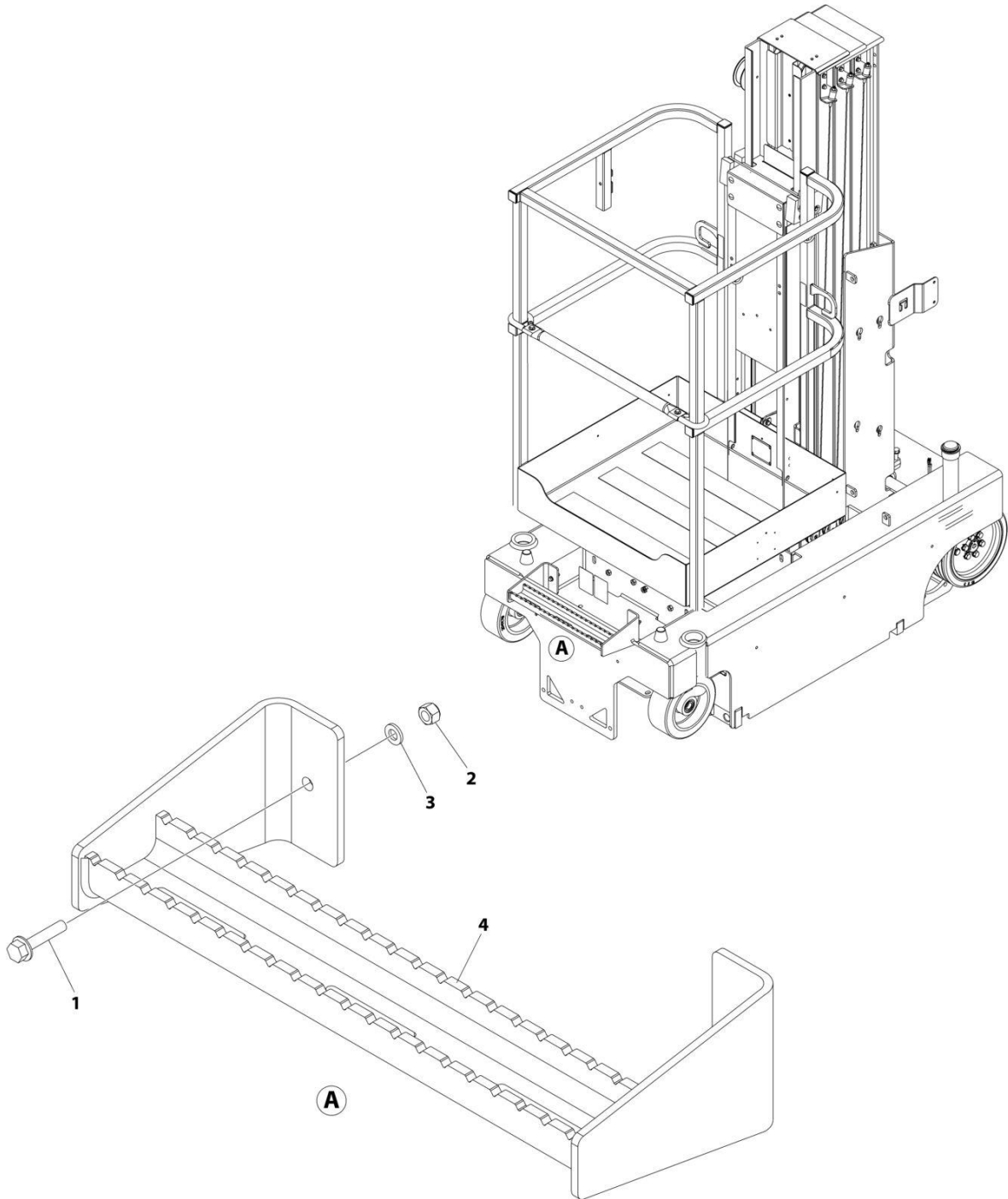
ART\_1001270043

**FIGURE 1-12. BUMPERS INSTALLATION**

<b>ITEM</b>	<b>PART NUMBER</b>	<b>QTY</b>	<b>DESCRIPTION</b>	<b>REV</b>
	1001270043	Ref	BUMPERS INSTALLATION	B
2	0780615	10	Bolt M6 x 35	
3	0940105	2	Bumper, Side Base	
5	3290605	10	Nut M6	
7	4811700	10	Washer M6	
9	1001274988	2	Bumper, Base	

# SECTION 1 - FRAME

## FIGURE 1-13. LADDER INSTALLATION



ART\_1001298294

**FIGURE 1-13. LADDER INSTALLATION**

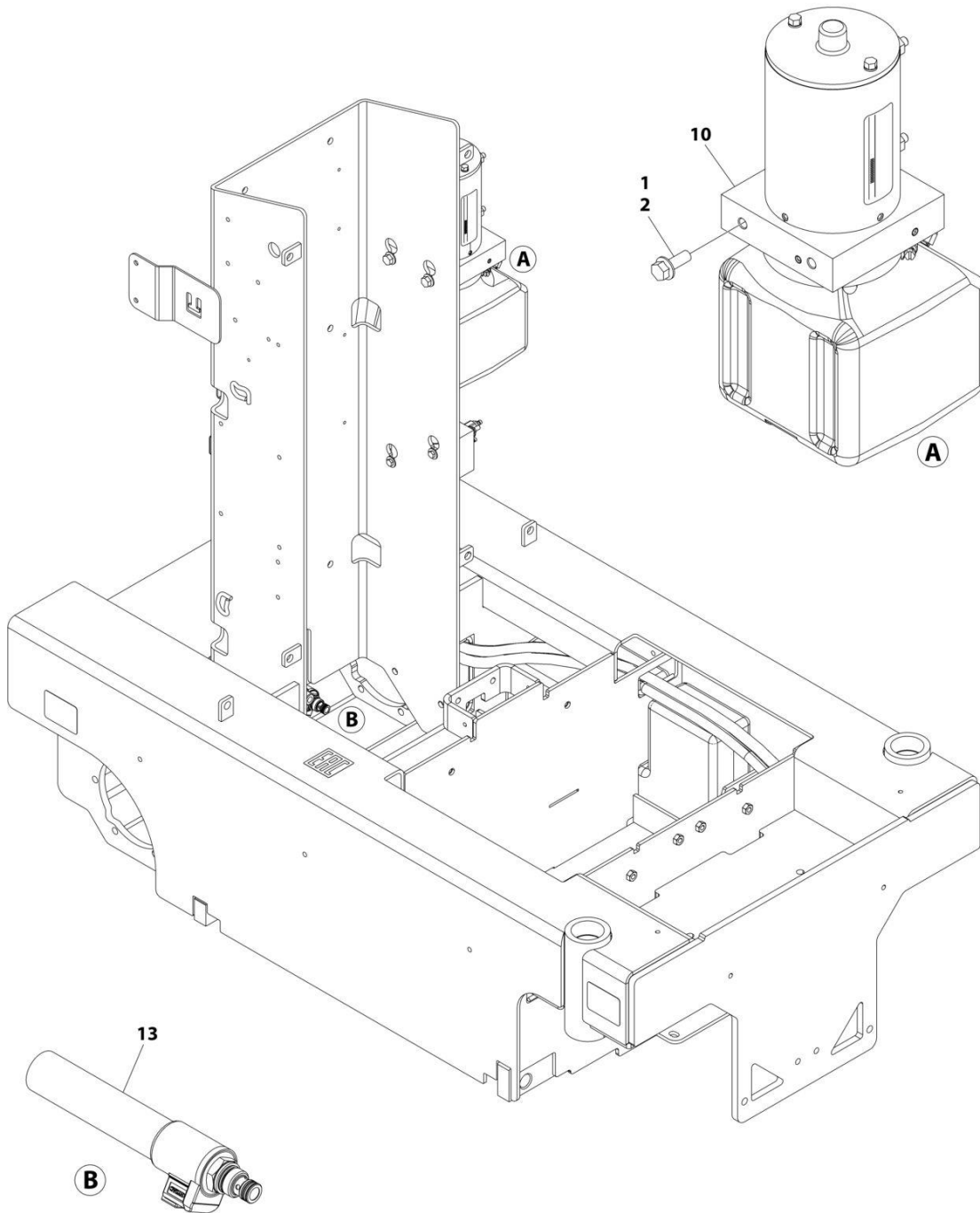
<b>ITEM</b>	<b>PART NUMBER</b>	<b>QTY</b>	<b>DESCRIPTION</b>	<b>REV</b>
	1001298294	Ref	LADDER INSTALLATION	A
1	0780614	2	Bolt M6 x 30	
2	3290605	2	Nut M6	
3	4811700	2	Washer M6	
4	1001298250	1	Ladder	



**SECTION 2 - CONTROLS**

# SECTION 2 - CONTROLS

## FIGURE 2-1. HYDRAULIC COMPONENTS INSTALLATION (WITH CASTER STEER)



ART\_1001269697\_10F2

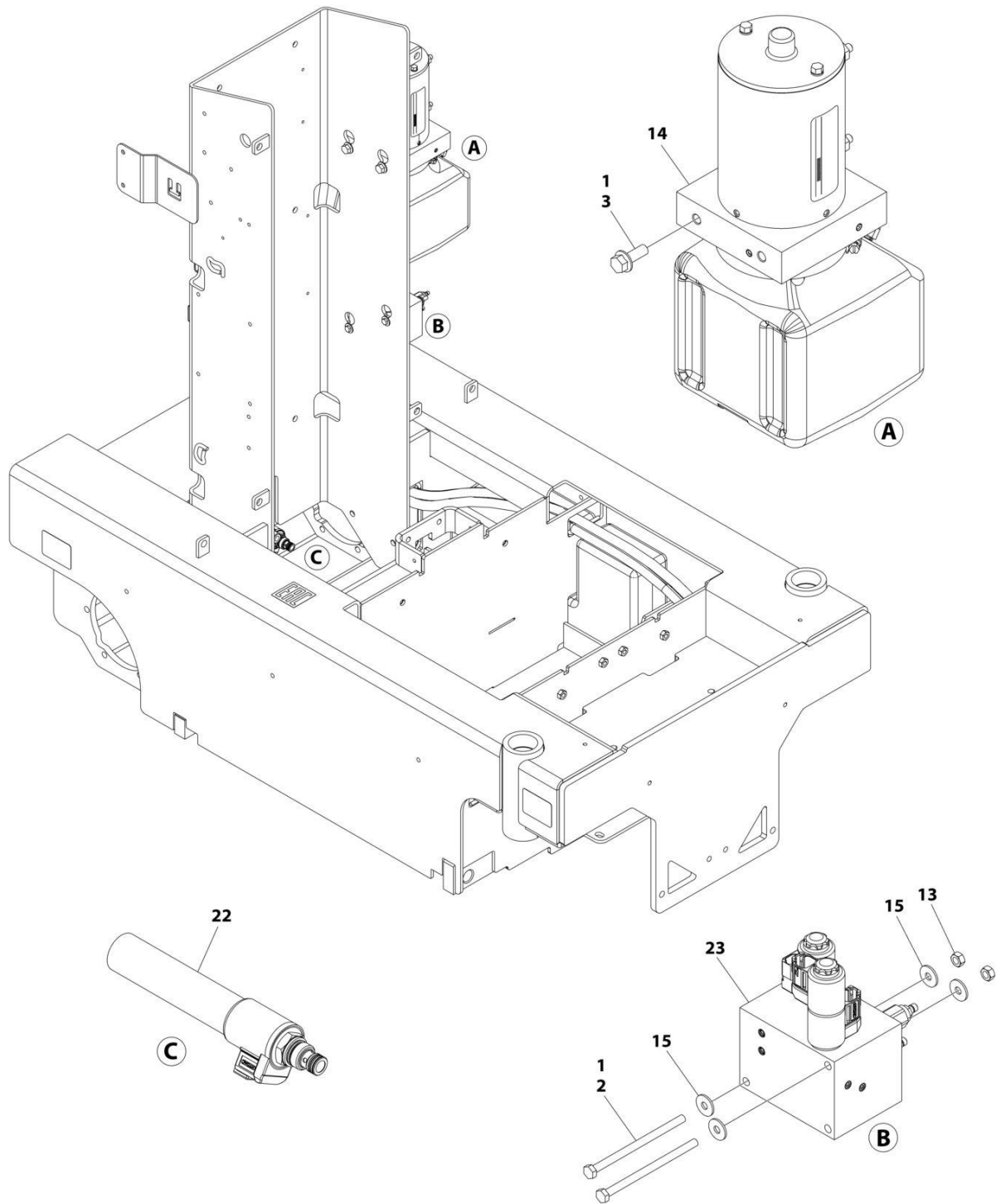
## SECTION 2 - CONTROLS

**FIGURE 2-1. HYDRAULIC COMPONENTS INSTALLATION (WITH CASTER STEER)**

ITEM	PART NUMBER	QTY	DESCRIPTION	REV
	1001269697	Ref	HYDRAULIC COMPONENTS INSTALLATION (WITH CASTER STEER)	D
1	0100011	AR	Compound, Locking	
2	0811608	2	Bolt 3/8 x 1	
10	3600463	1	Motor/Pump/Tank Assembly (See Separate Breakdown in this Section)	
13	1001287802	1	Valve Assembly – Manual Descent (Note: Not Service Parts at Time of Printing)	

# SECTION 2 - CONTROLS

## FIGURE 2-2. HYDRAULIC COMPONENTS INSTALLATION (WITH HYDRAULIC STEER)



ART\_1001269696\_10F2

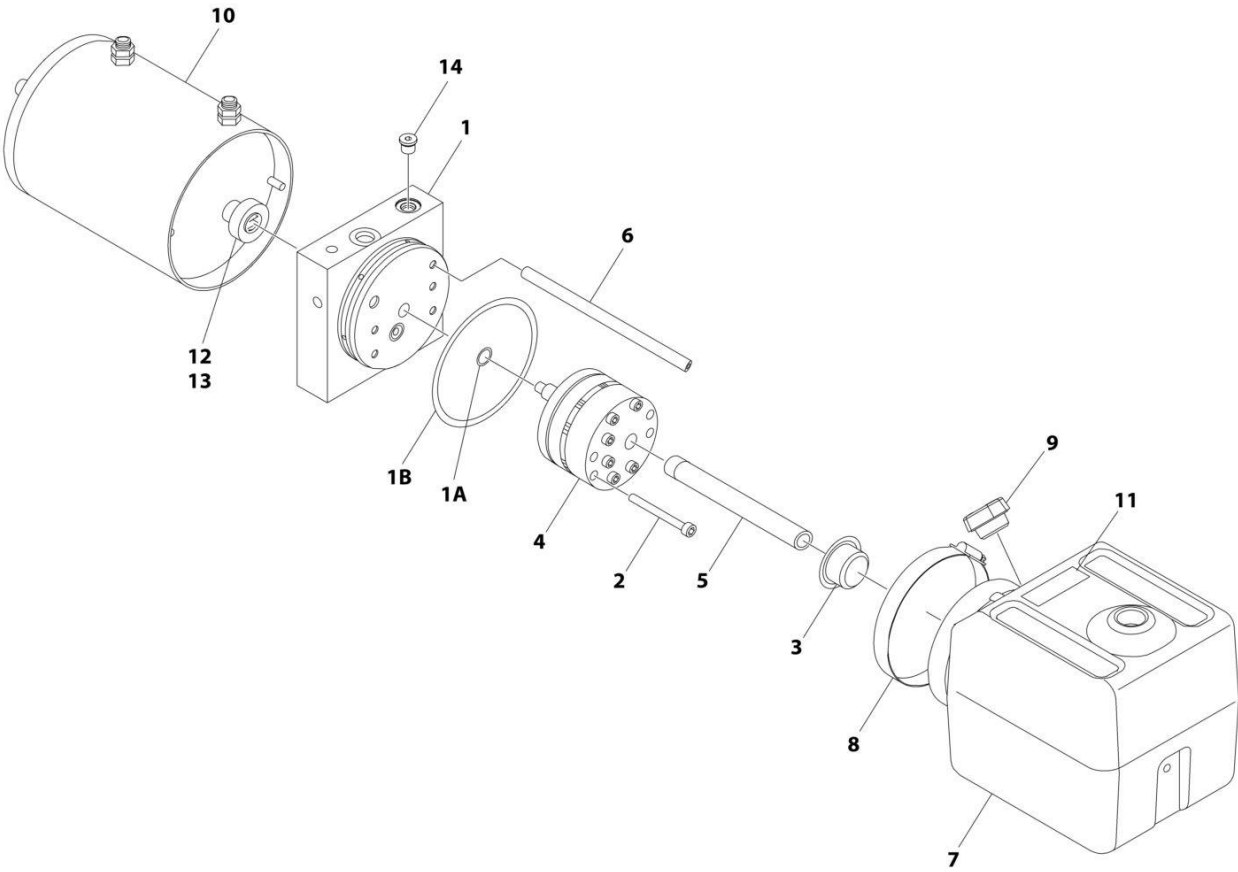
## SECTION 2 - CONTROLS

**FIGURE 2-2. HYDRAULIC COMPONENTS INSTALLATION (WITH HYDRAULIC STEER)**

ITEM	PART NUMBER	QTY	DESCRIPTION	REV
	1001269696	Ref	HYDRAULIC COMPONENTS INSTALLATION (WITH HYDRAULIC STEER)	D
1	0100011	AR	Compound, Locking	
2	0700627	2	Bolt M6 x 100	
3	0811608	2	Bolt 3/8 x 1	
13	3290601	2	Nut M6	
14	3600463	1	Motor/Pump/Tank Assembly (See Separate Breakdown in this Section)	
15	4811702	4	Washer M6	
22	1001287802	1	Valve Assembly - Manual Descent (Note: Not Service Parts at Time of Printing)	
23	1001269698	1	Valve Assembly - Main (See Separate Breakdown in this Section)	

**SECTION 2 - CONTROLS**

**FIGURE 2-3. MOTOR/PUMP/TANK ASSEMBLY**



ART\_3600463

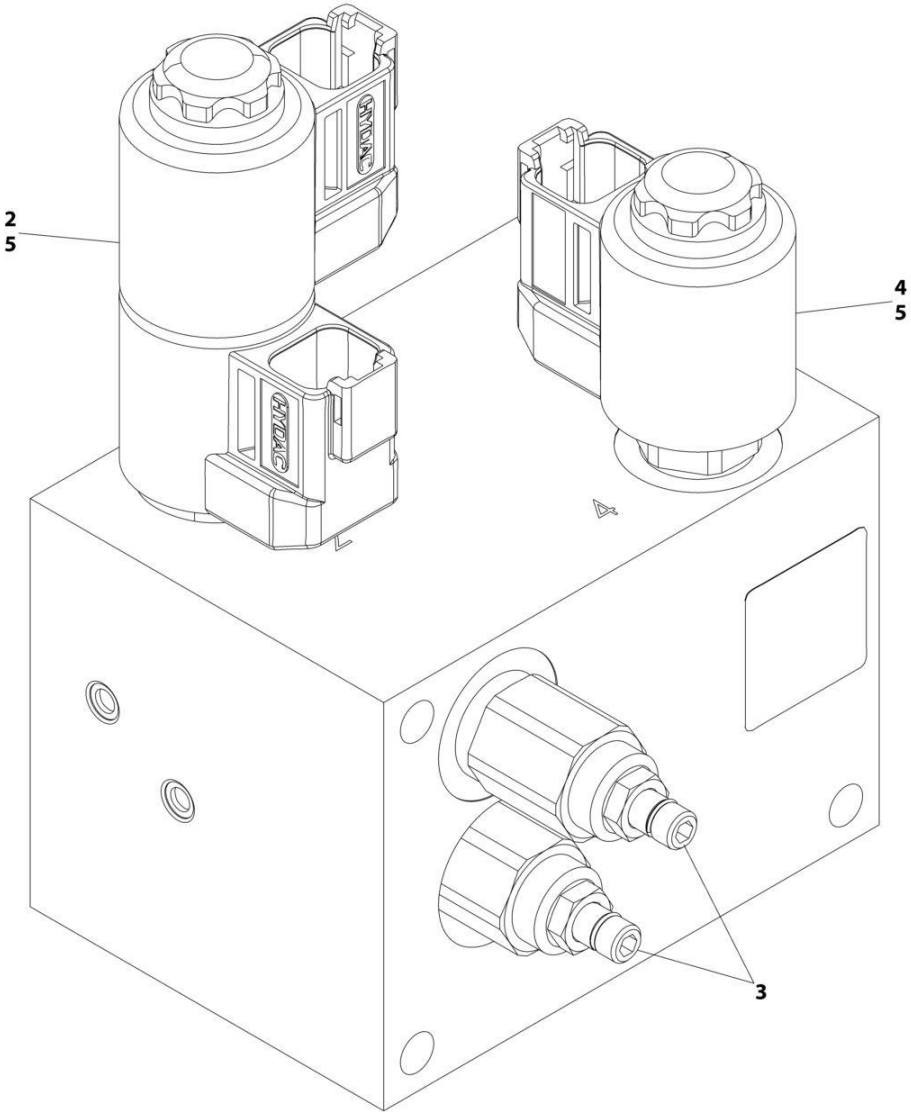
## SECTION 2 - CONTROLS

**FIGURE 2-3. MOTOR/PUMP/TANK ASSEMBLY**

ITEM	PART NUMBER	QTY	DESCRIPTION	REV
	3600463	Ref	PUMP/MOTOR ASSEMBLY	E
		Ref	Note: Service Replacement for p/n 3600326.	
1	70001019	1	Base Assembly	
1A	70003612	1	O-Ring	
1B	70003613	1	O-Ring	
2	70001020	1	Capscrew 1/4 x 2-3/4	
3	7026165	1	Filter	
4	70001021	4	Pump	
5	70001022	1	Tube, Suction	
6	70001023	1	Tube, Return	
7	70001024	1	Reservoir	
8	7026335	1	Clamp	
9	70001025	1	Plug, Breather	
10	70001026	1	Motor	
10	70001028	4	Brushes	
11	70001027	1	Decal - Fill Line	
12	7026330	1	Seal, Shaft	
13	70002215	1	Bearing	
14	2220883	AR	Plug (August 2023 to Present)	

**SECTION 2 - CONTROLS**

**FIGURE 2-4. VALVE ASSEMBLY - MAIN (WITH HYDRAULIC STEER ONLY)**



ART\_1001269698

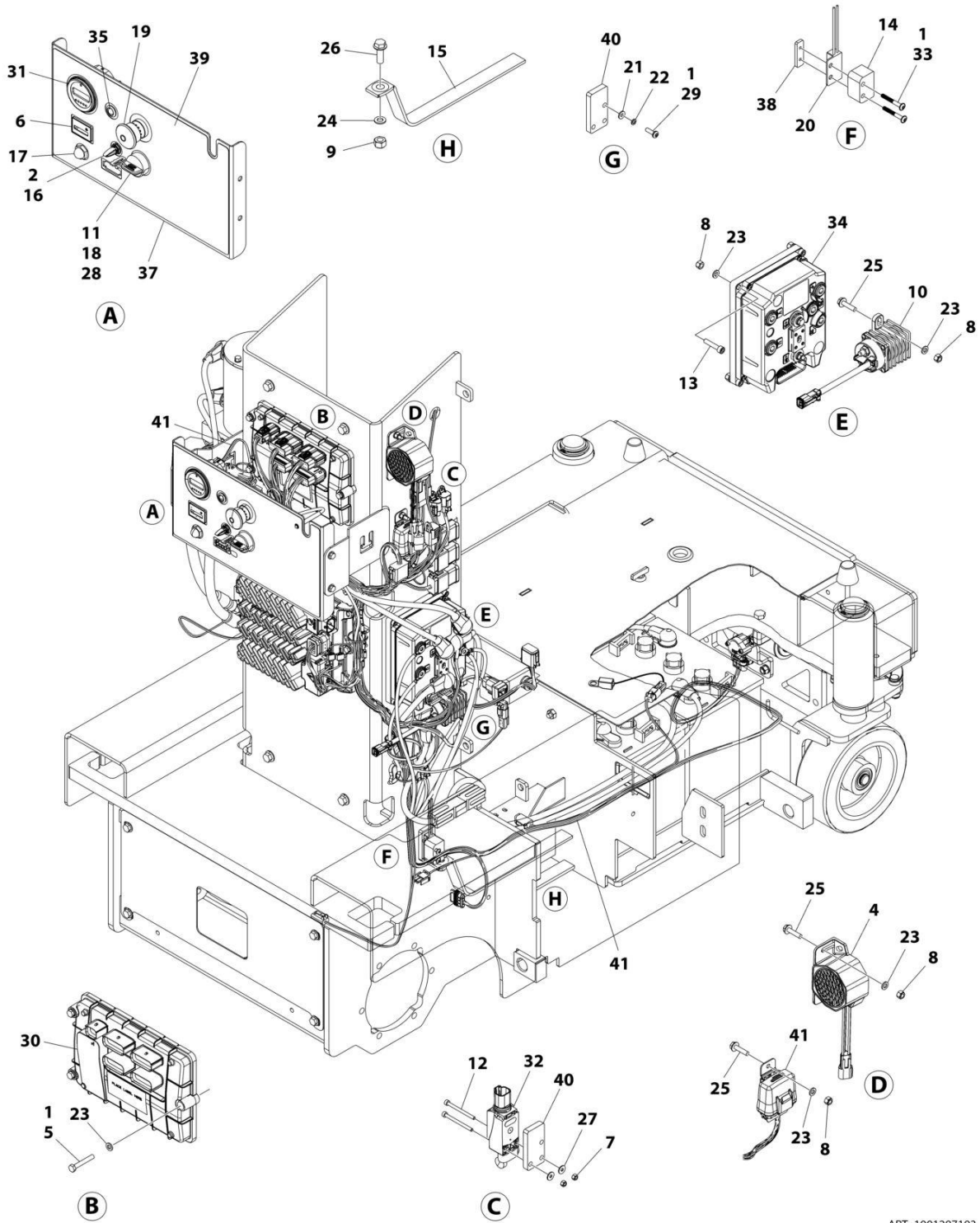
## SECTION 2 - CONTROLS

**FIGURE 2-4. VALVE ASSEMBLY - MAIN (WITH HYDRAULIC STEER ONLY)**

ITEM	PART NUMBER	QTY	DESCRIPTION	REV
	1001269698	Ref	VALVE ASSEMBLY	D
1	2220883	1	Plug (Not Shown - Located on Bottom of Block)	
2	70008643	1	Valve, Solenoid Cartridge	
3	70008644	2	Valve, Cartridge (Relief)	
4	70008645	1	Valve, Solenoid Cartridge	
5	70008646	3	Coil	

# SECTION 2 - CONTROLS

## FIGURE 2-5. ELECTRICAL COMPONENTS INSTALLATION



ART\_1001297193

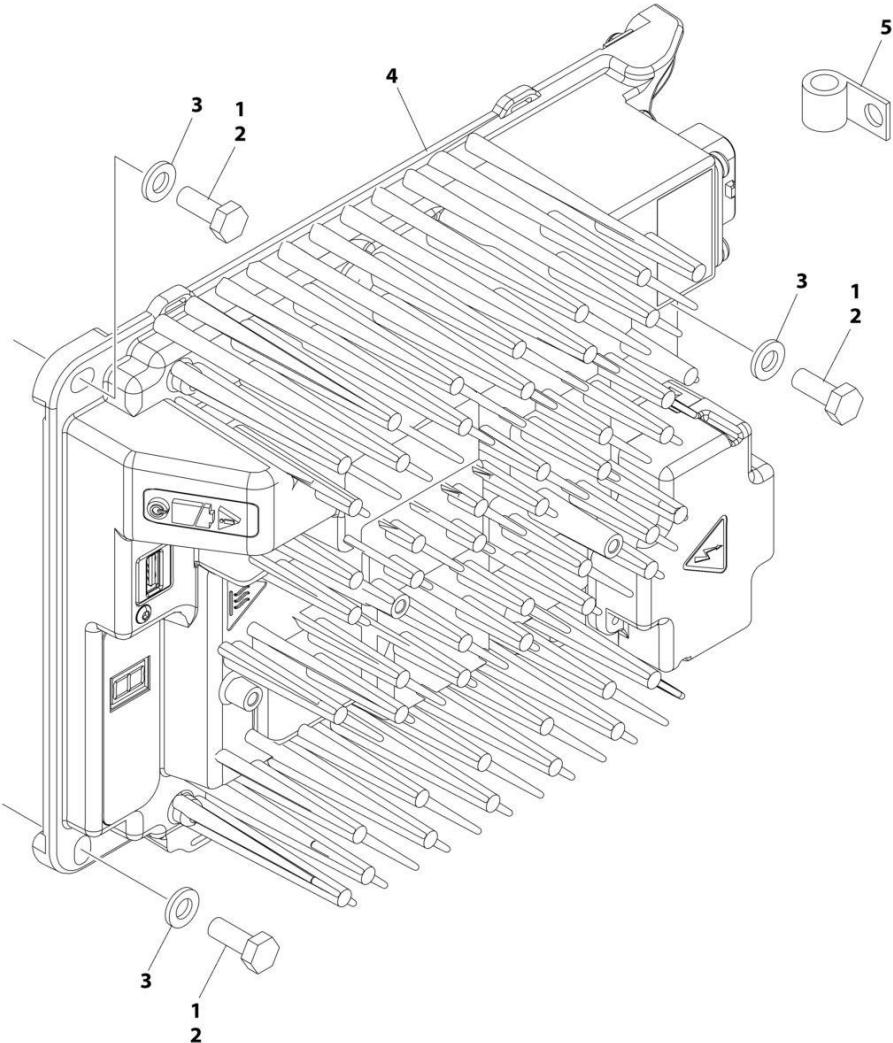
## SECTION 2 - CONTROLS

**FIGURE 2-5. ELECTRICAL COMPONENTS INSTALLATION**

ITEM	PART NUMBER	QTY	DESCRIPTION	REV
	1001297193	Ref	ELECTRICAL COMPONENTS INSTALLATION	D
1	0100011	AR	Compound, Locking	
2	0100048	AR	Silicone	
3	0100051	AR	Grease, Dielectric	
4	0140043	1	Alarm	
5	0700616	3	Bolt M6 x 40	
6	2420172	1	Gauge, Hourmeter	
7	3290405	2	Nut M4	
8	3290605	13	Nut M6	
9	3291005	1	Nut M10	
10	3740150	1	Relay	
11	4010403	3	Screw M4 x 6	
12	4031514	2	Capscrew M4 x 50	
13	4031710	4	Capscrew M6 x 30	
14	4071058	1	Shim	
15	4240147	1	Strap, Anti-Static	
16	4360328	1	Switch, Toggle	
17	4360387	1	Button, Push (Yellow)	
18	4360469	1	Switch, Key	
19	4360475	1	Switch, Emergency	
20	4360514	1	Switch, Proxy	
21	4750800	2	Washer #8	
22	4761000	2	Washer #10	
23	4811700	16	Washer M6	
24	4812000	1	Washer M10	
25	5250612	9	Bolt M6 x 25	
26	5251014	1	Bolt M10 x 30	
27	1001091102	2	Washer M4	
28	1001151393	1	Shim	
29	1001197099	2	Screw #10 x 5/8	
30	1001200629	1	Module, Logic	
31	1001200632	1	Gauge	
32	1001284507	1	Switch, Roller	
33	1001207734	2	Screw	
34	1001243107	1	Control, Drive	
35	1001254544	1	Lamp	
36	1001258379	AR	Tie-Strap (Not Shown)	
37	1001270203	1	Bracket	
38	1001270204	1	Bracket	
39	1001273100	1	Decal - Ground Panel	
40	1001273927	2	Plate	
41	1001296876	1	Chassis Harness (See Separate Breakdown in ELECTRICAL Section)	

# SECTION 2 - CONTROLS

## FIGURE 2-6. BATTERY CHARGER INSTALLATION



ART\_1001270040

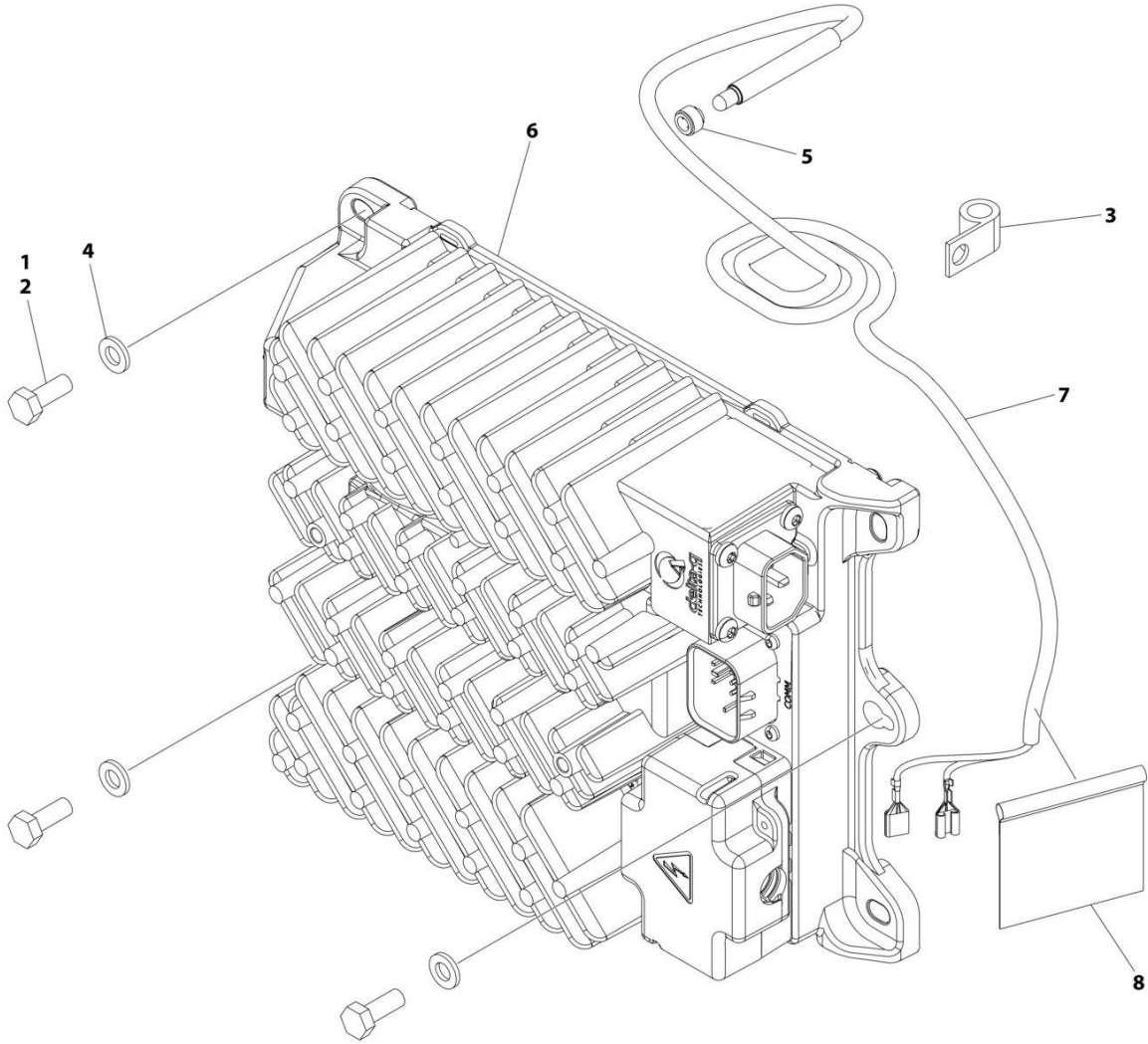
## SECTION 2 - CONTROLS

**FIGURE 2-6. BATTERY CHARGER INSTALLATION**

ITEM	PART NUMBER	QTY	DESCRIPTION	REV
	1001270040	Ref	BATTERY CHARGER INSTALLATION	C
1	0100011	AR	Compound, Locking	
2	0760608	3	Bolt 6 x 16	
3	4811700	3	Washer M6	
4	1001200561	1	Charger, Battery	
5	1321293	1	Clamp	

# SECTION 2 - CONTROLS

## FIGURE 2-7. BATTERY CHARGER INSTALLATION (650W)



ART\_1001296596

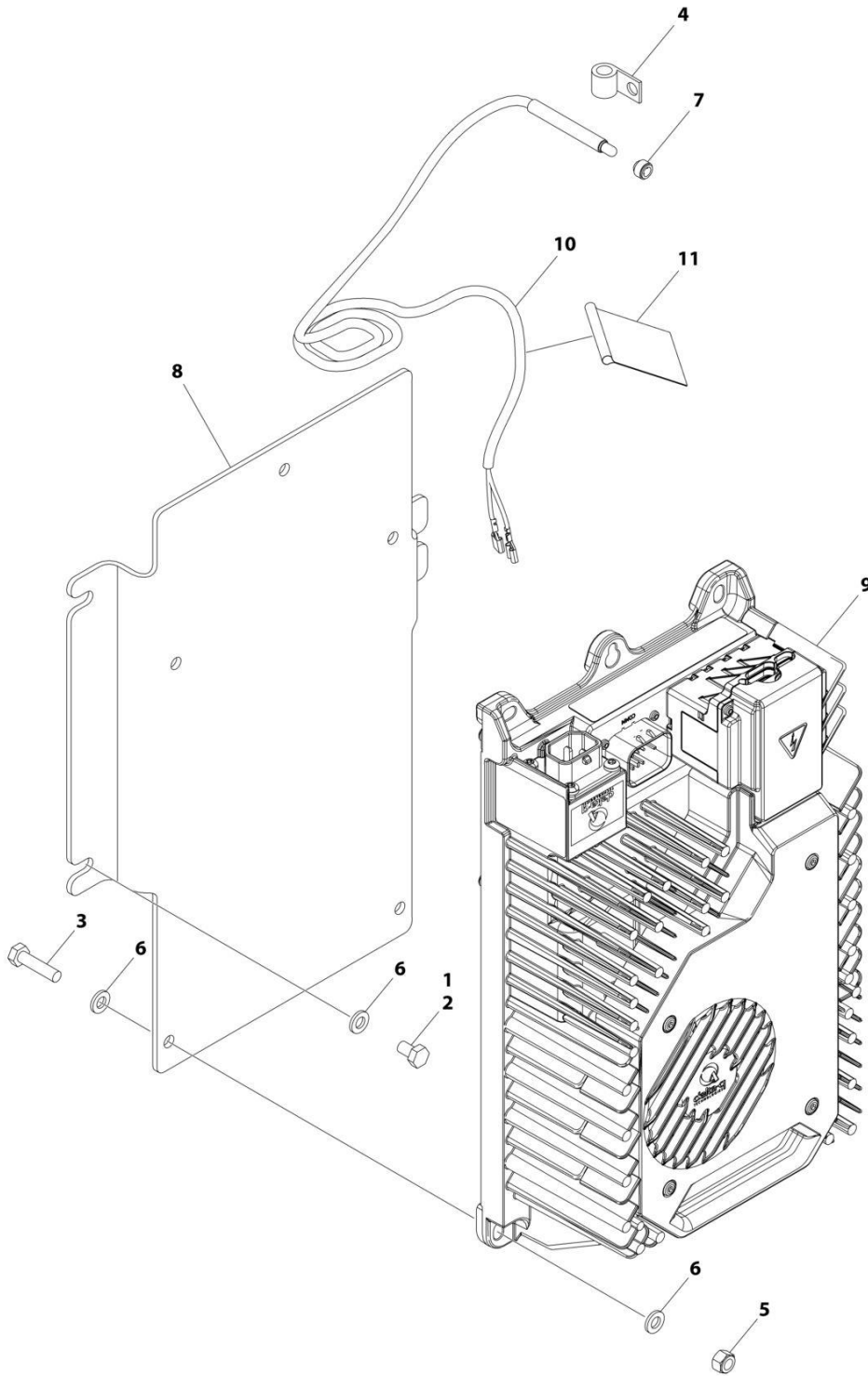
## SECTION 2 - CONTROLS

**FIGURE 2-7. BATTERY CHARGER INSTALLATION (650W)**

ITEM	PART NUMBER	QTY	DESCRIPTION	REV
	1001296596	Ref	BATTERY CHARGER INSTALLATION	C
1	0100011	AR	Compound, Locking	
2	0760608	3	Bolt M6 x 16	
3	1321293	1	Clamp	
4	4811700	3	Washer M6	
5	1001296129	1	Housing	
6	1001300072	1	Charger	
7	1001250937	1	Cable	
8	1001314774	1	Decal - Charger Lithium	

# SECTION 2 - CONTROLS

## FIGURE 2-8. BATTERY CHARGER INSTALLATION (1200W)



ART\_1001296597

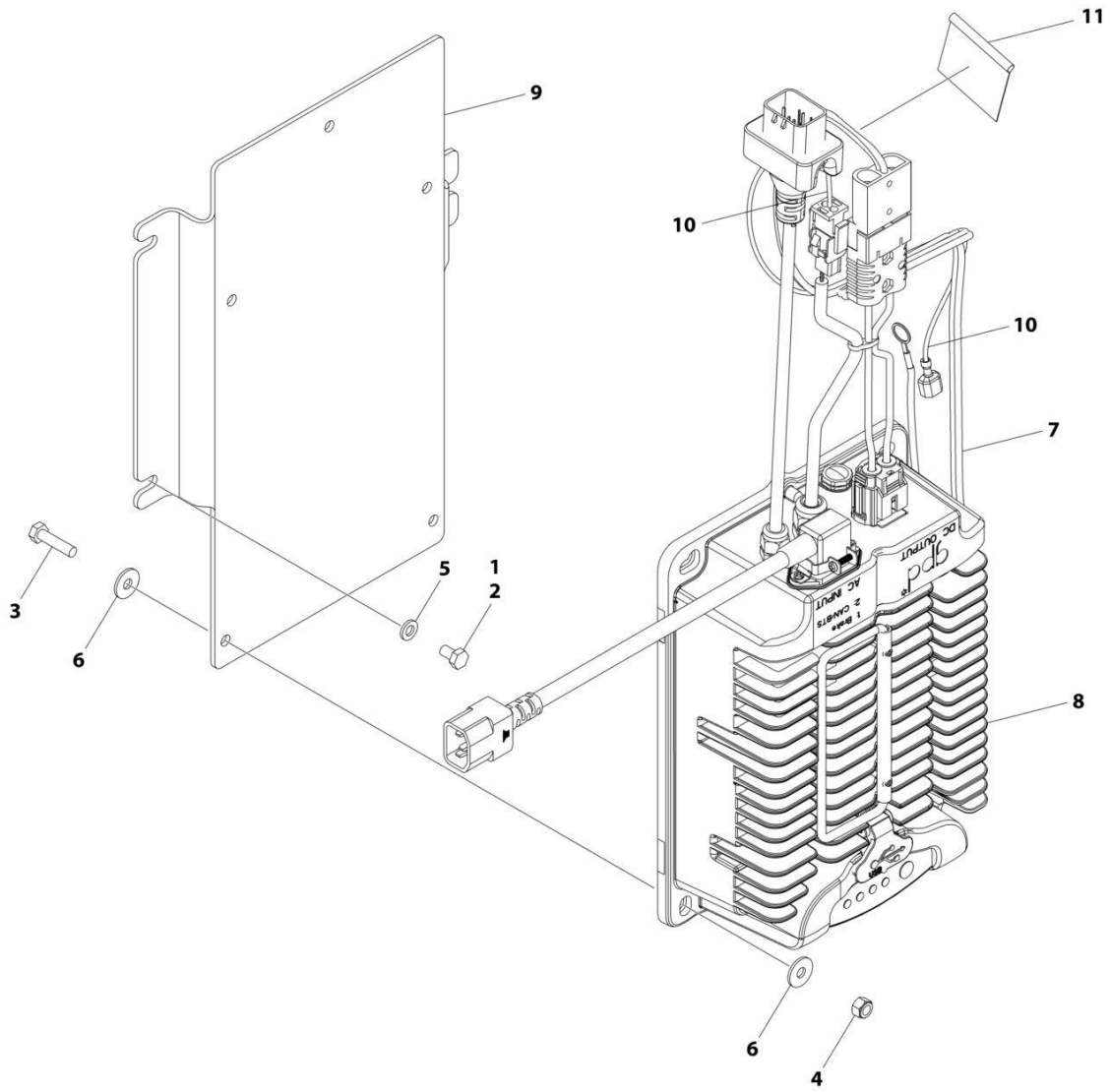
## SECTION 2 - CONTROLS

**FIGURE 2-8. BATTERY CHARGER INSTALLATION (1200W)**

ITEM	PART NUMBER	QTY	DESCRIPTION	REV
	1001296597	Ref	BATTERY CHARGER INSTALLATION	C
1	0100011	AR	Compound, Locking	
2	0760605	3	Bolt M6 x 10	
3	0760612	3	Bolt M6 x 25	
4	1321293	1	Clamp	
5	3290605	3	Nut M6	
6	4811700	9	Washer M6	
7	1001296129	1	Housing	
8	1001296541	1	Bracket	
9	1001305890	1	Charger	
10	1001250937	1	Cable	
11	1001314774	1	Decal - Charger Lithium	

# SECTION 2 - CONTROLS

## FIGURE 2-9. BATTERY CHARGER INSTALLATION



ART\_1001311426

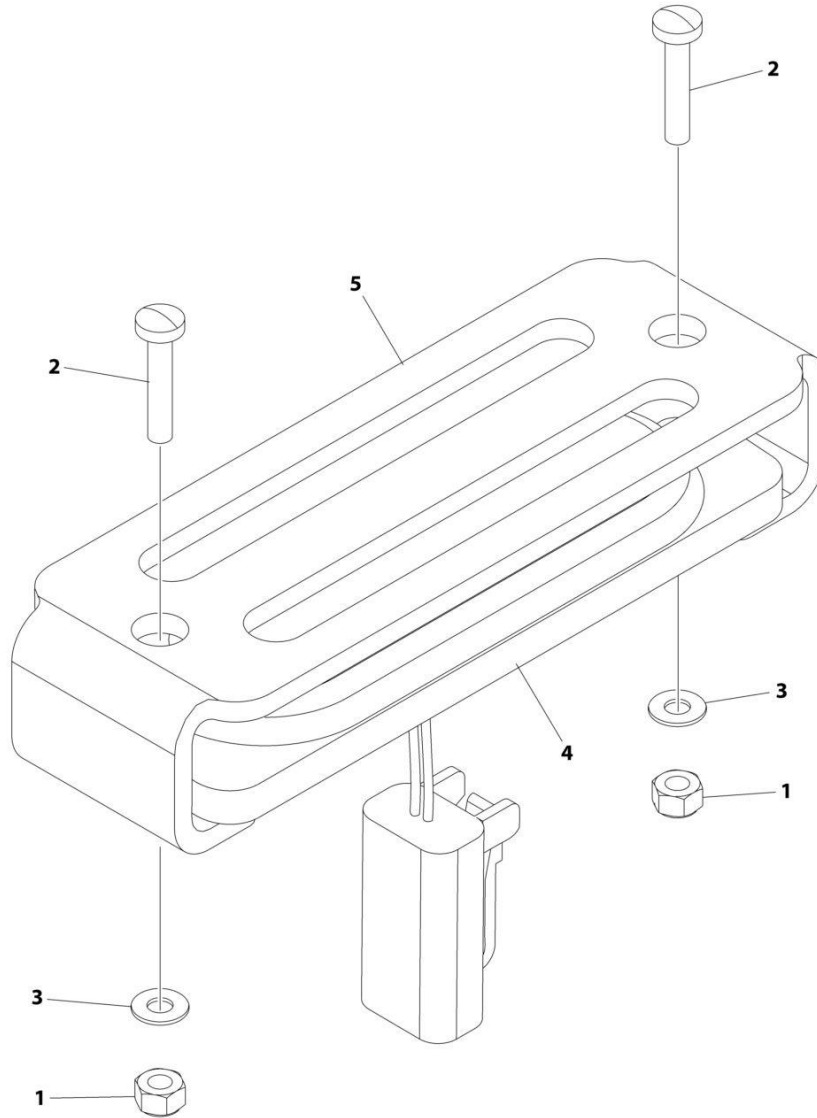
## SECTION 2 - CONTROLS

### FIGURE 2-9. BATTERY CHARGER INSTALLATION

ITEM	PART NUMBER	QTY	DESCRIPTION	REV
	1001311426	Ref	BATTERY CHARGER INSTALLATION	B
1	0100011	AR	Compound, Locking	
2	0760605	3	Bolt M6 x 10	
3	0760612	4	Bolt M6 x 25	
4	3290605	4	Nut M6	
5	4811700	3	Washer M6	
6	4811702	8	Washer M6	
7	1001207735	1	Harness, Charger Connection (See Separate Breakdown in ELECTRICAL Section)	
8	1001295888	1	Charger	
9	1001296541	1	Bracket	
10	1001311745	1	Harness, Charger Jumper (See Separate Breakdown in ELECTRICAL Section)	
11	1001314774	1	Decal - Charger Lithium	

# SECTION 2 - CONTROLS

## FIGURE 2-10. BEACON STROBE LIGHT INSTALLATION



ART\_1001270034

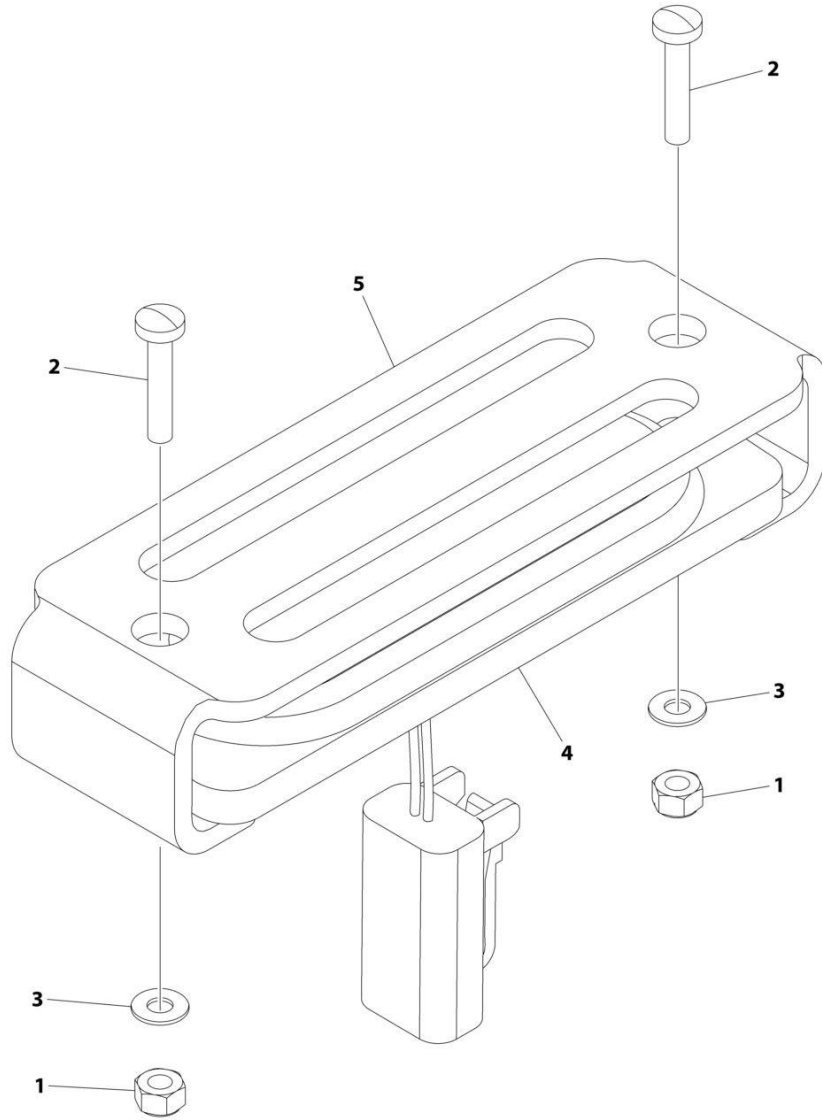
## SECTION 2 - CONTROLS

**FIGURE 2-10. BEACON STROBE LIGHT INSTALLATION**

ITEM	PART NUMBER	QTY	DESCRIPTION	REV
	1001270034	Ref	BEACON STROBE LIGHT INSTALLATION	A
1	3290305	4	Nut M3	
2	4010308	4	Screw M3 x 16	
3	1001110544	4	Washer M3	
4	1001239224	2	Light, Strobe	
5	1001239661	2	Cover	

# SECTION 2 - CONTROLS

## FIGURE 2-11. SECOND BEACON STROBE LIGHT INSTALLATION



ART\_1001306497

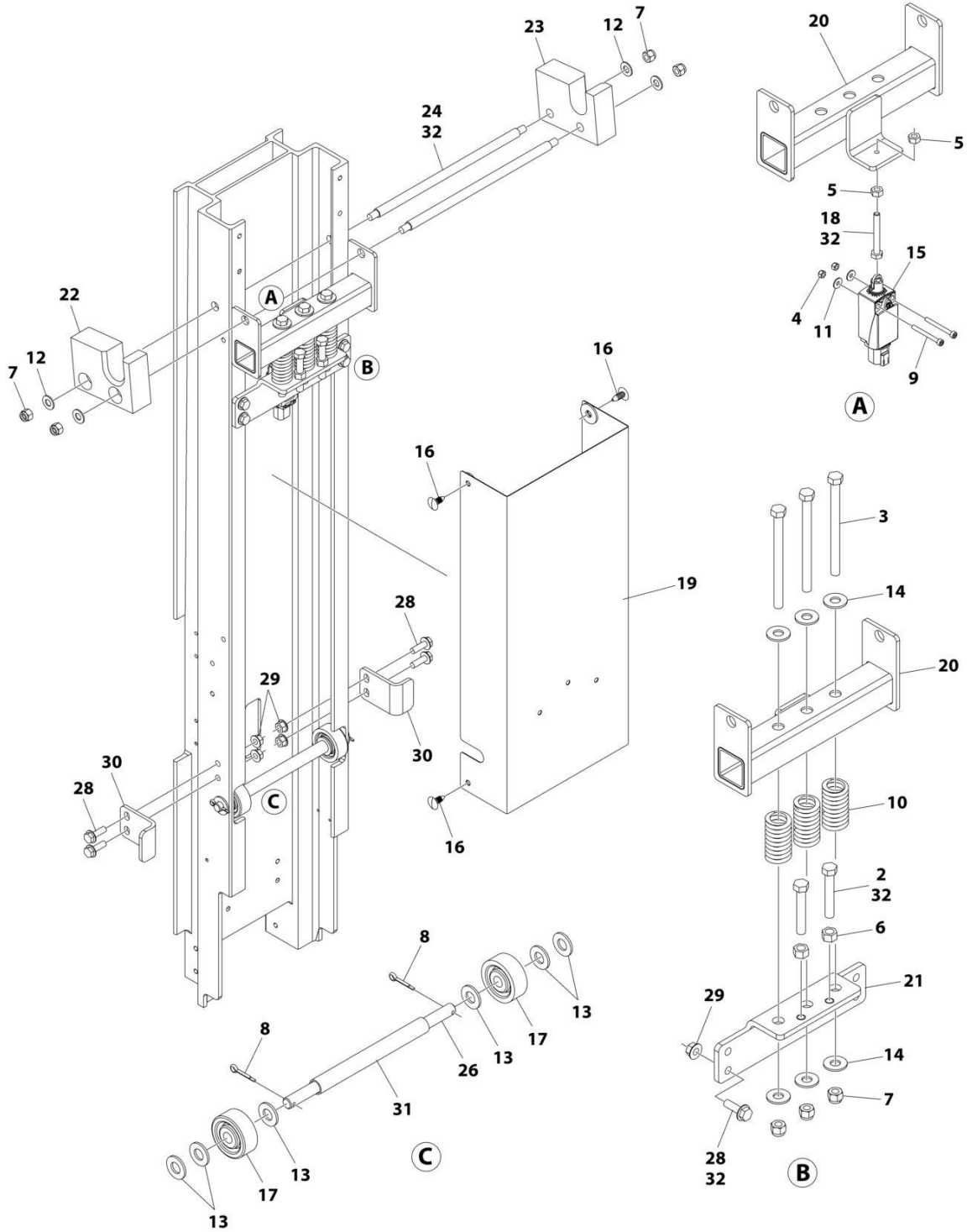
## SECTION 2 - CONTROLS

**FIGURE 2-11. SECOND BEACON STROBE LIGHT INSTALLATION**

ITEM	PART NUMBER	QTY	DESCRIPTION	REV
	1001306497	Ref	SECOND BEACON STROBE LIGHT INSTALLATION	A
1	3290305	2	Nut M3	
2	4010308	2	Screw M3 x 16	
3	1001110544	2	Washer M3	
4	1001239224	1	Lamp	
5	1001239661	1	Cover	

# SECTION 2 - CONTROLS

## FIGURE 2-12. LOAD SENSING SYSTEM (LSS) INSTALLATION



ART\_1001269512

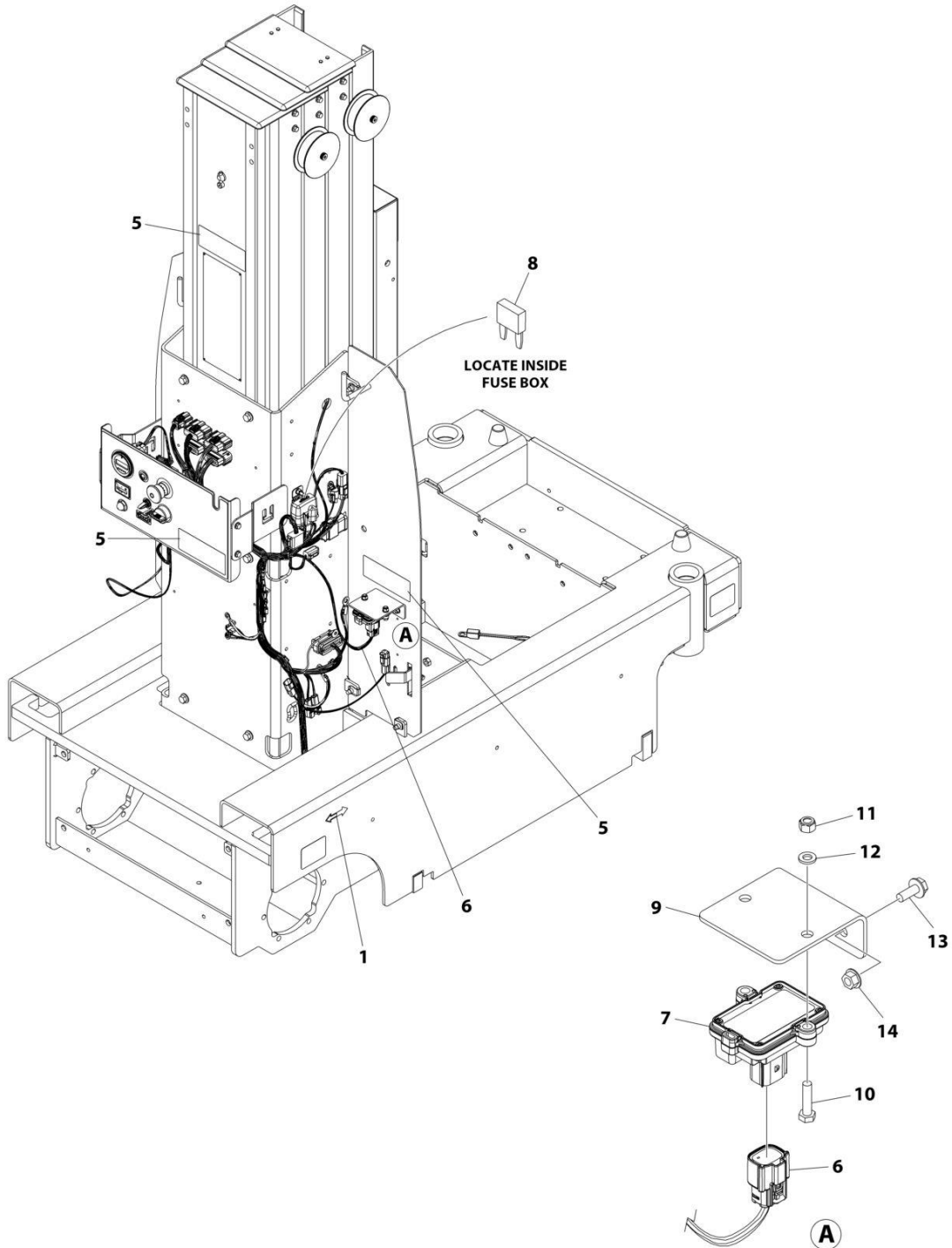
## SECTION 2 - CONTROLS

**FIGURE 2-12. LOAD SENSING SYSTEM (LSS) INSTALLATION**

ITEM	PART NUMBER	QTY	DESCRIPTION	REV
	1001269512	Ref	LOAD SENSING SYSTEM (LSS) INSTALLATION	F
2	0641618	2	Bolt 3/8 x 2-3/4	
3	0641638	3	Bolt 3/8 x 4-3/4	
4	3290405	2	Nut M4	
5	3311401	2	Nut 1/4	
6	3311601	2	Nut 3/8	
7	3300492	7	Nut 3/8	
8	3450403	2	Pin, Cotter	
9	4031511	2	Capscrew M4 x 35	
10	4160205	3	Spring	
11	1001091102	2	Washer	
12	4711600	4	Washer 3/8	
13	4711800	6	Washer 1/2	
14	4751600	6	Washer 3/8	
15	1001109088	1	Switch, Limit	
15	1001284505	1	Switch, Limit	
16	1001109786	4	Fastener, Firtree	
17	1001205422	2	Roller (Front)	
18	1001255483	1	Bolt	
19	1001274649	1	Cover	
20	1001271815	1	Bracket	
21	1001271818	1	Plate	
22	1001269427	1	Block, Cradle (LH)	
23	1001269428	1	Block, Cradle (RH)	
24	1001269429	2	Pin	
26	1001269431	1	Pin	
28	5250812	8	Bolt M8 x 25	
29	5260800	8	Nut M8	
30	1001268902	2	Plate, Lock	
31	1001271838	1	Tube, Spacer	
32	0100011	AR	Compound, Locking	

# SECTION 2 - CONTROLS

## FIGURE 2-13. MOBILE CONTROL INSTALLATION



ART\_1001270036

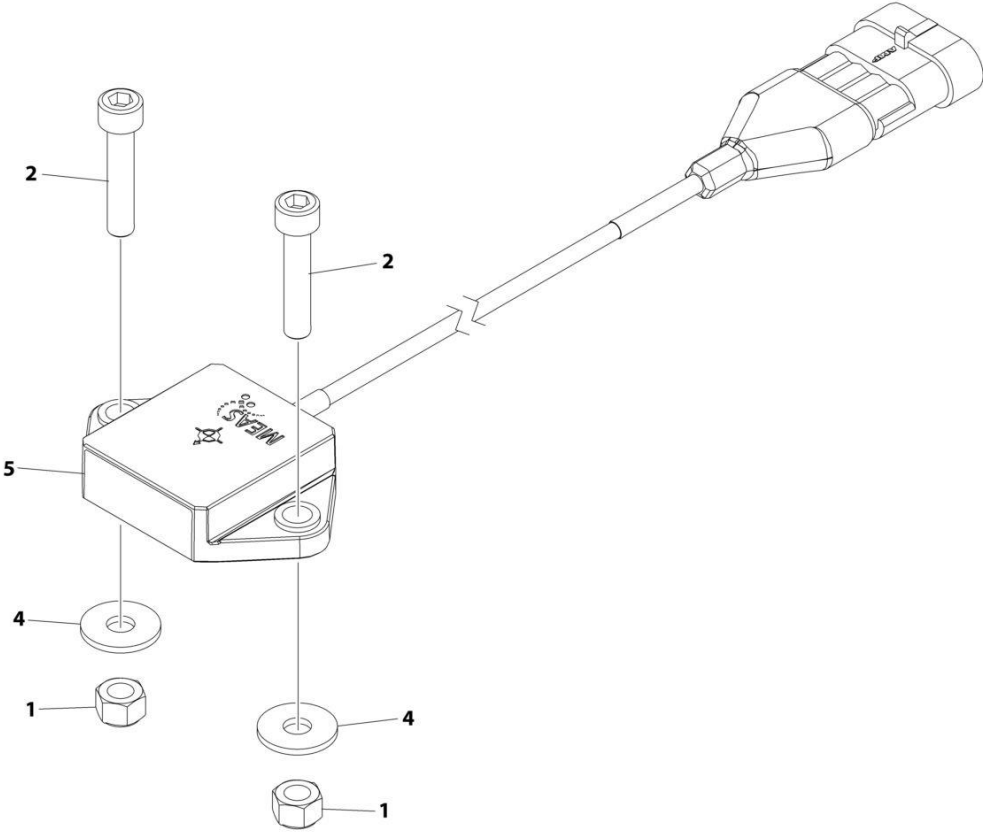
## SECTION 2 - CONTROLS

**FIGURE 2-13. MOBILE CONTROL INSTALLATION**

ITEM	PART NUMBER	QTY	DESCRIPTION	REV
	1001270036	Ref	MOBILE CONTROL INSTALLATION	C
1	1703819	1	Decal, Direction Arrow	
2	3121792	1	Manual, Mobile Control Operation (Not Shown)	
3	4240017	AR	Tie - Strap (Not Shown)	
5	1001248768	1	Decal, Mobile Control (Includes Qty 3 Decals)	
6	1001268802	1	Harness, Mobile Control (See Separate Breakdown in ELECTRICAL Section)	
7	1001245293	1	Module, Mobile Control	
8	1001196838	1	Fuse, 3Amp	
9	1001278168	1	Bracket	
10	0700612	2	Bolt M6 x 25	
11	3290605	2	Nut M6	
12	4811700	2	Washer M6	
13	5250608	2	Bolt M6 x 16	
14	5260600	2	Nut M6	

**SECTION 2 - CONTROLS**

**FIGURE 2-14. TILT SENSOR INSTALLATION**



ART\_1001270042

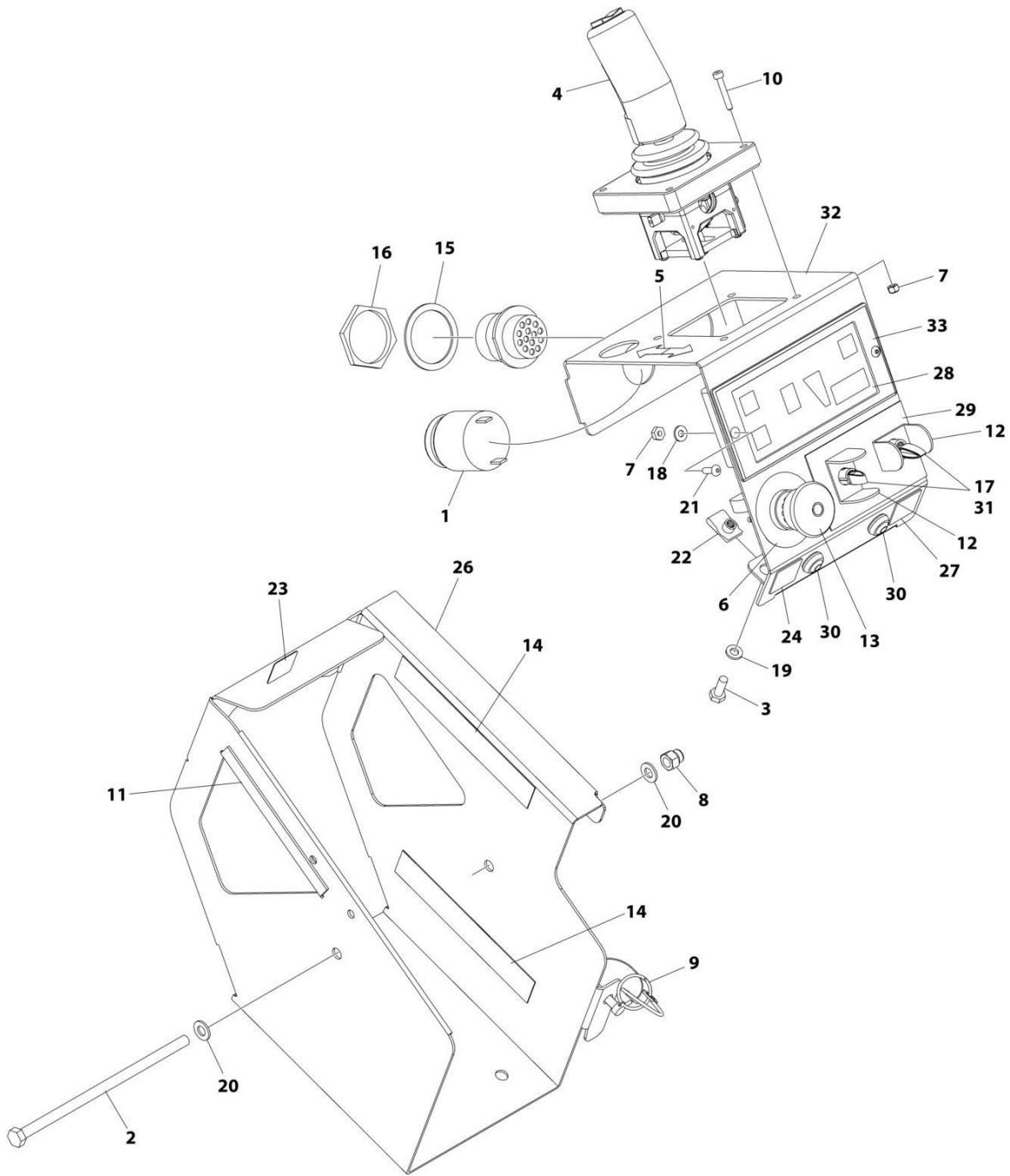
## SECTION 2 - CONTROLS

### FIGURE 2-14. TILT SENSOR INSTALLATION

ITEM	PART NUMBER	QTY	DESCRIPTION	REV
	1001270042	Ref	TILT SENSOR INSTALLATION	C
1	3290605	2	Nut M6	
2	4031710	2	Bolt M6 x 30	
3	4240099	AR	Tie-Strap (Not Shown)	
4	4811702	2	Washer M6	
5	1001186466	1	Sensor, Tilt	
6	0100011	AR	Compound, Locking (Not Shown)	

# SECTION 2 - CONTROLS

## FIGURE 2-15. PLATFORM CONSOLE BOX ASSEMBLY (E18MCL)



ART\_1001274604

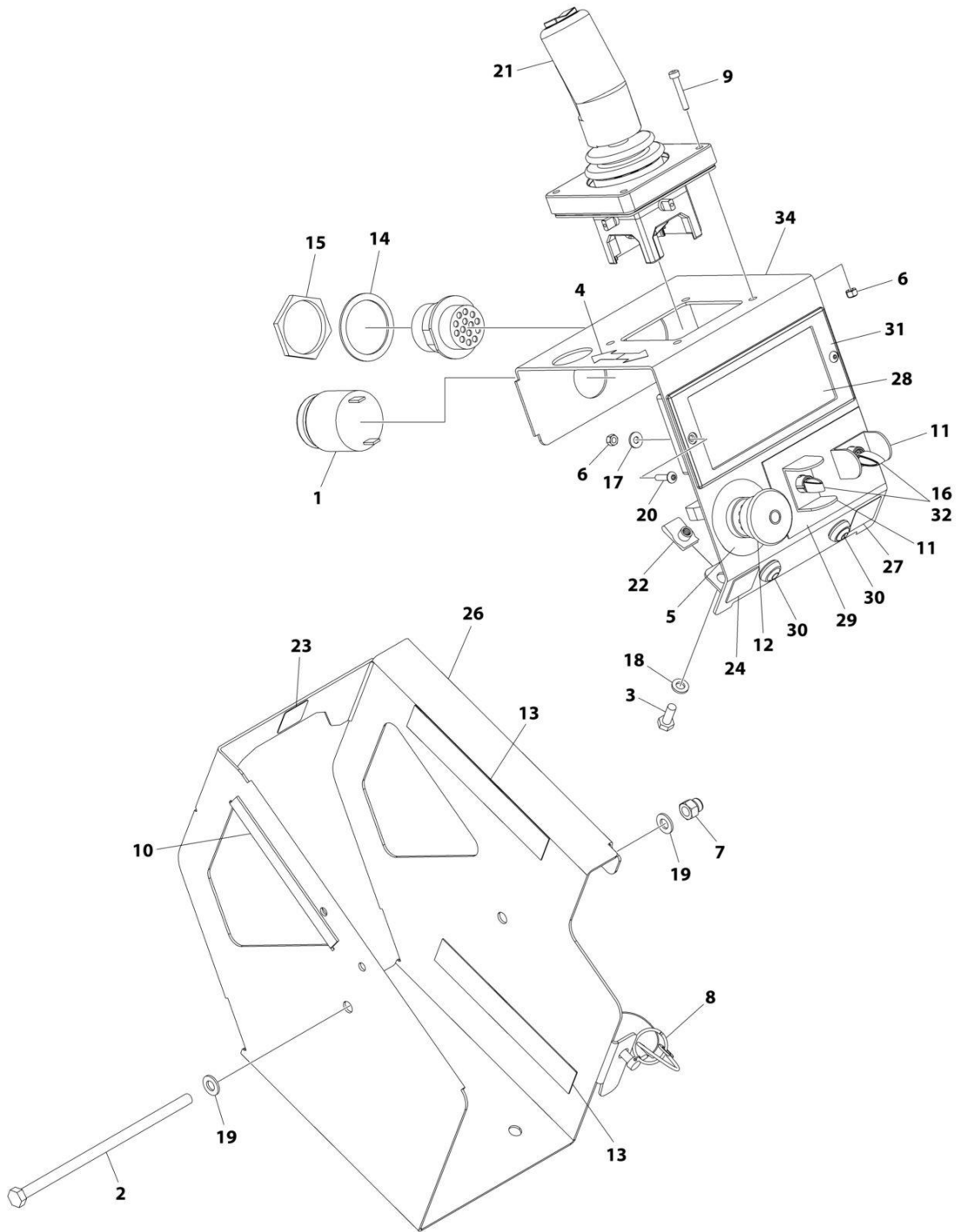
## SECTION 2 - CONTROLS

**FIGURE 2-15. PLATFORM CONSOLE BOX ASSEMBLY (E18MCL)**

ITEM	PART NUMBER	QTY	DESCRIPTION	REV
	1001274604	Ref	PLATFORM CONSOLE INSTALLATION	B
1	0140030	1	Alarm	
2	0700835	1	Bolt M8 x 180	
3	0760610	2	Bolt M6 x 20	
4	1600402	1	Controller Assembly	
5	1703819	1	Decal - Arrow	
6	1704260	1	Decal - Emergency Stop	
7	3290405	6	Nut M4	
8	3290806	1	Nut M8	
9	3423278	1	Pin, Snap with Lanyard	
10	4031509	4	Capscrew M4 x 25	
11	4060803	6 in/14cm	Flex-Trim	
12	4060906	2	Guard, Switch	
13	4360475	1	Switch, Emergency Stop	
13	7020175	1	Cap	
13	7020176	1	Block, Contact	
14	4420062	12 in/ 30cm	Tape	
15	4460496	1	Washer, Terminal	
16	4460497	1	Nut, Terminal	
17	4711700	2	Washer 7/16	
18	4811400	2	Washer M4	
19	4811700	2	Washer M6	
20	4811900	2	Washer M8	
21	1001047064	2	Screw M4 x 15	
22	1001130220	2	Nut, Tinnerman M6	
23	1001132358	1	Decal - Steer	
24	1001132361	1	Decal - Horn	
25	1001200819	1	Platform Control Box Harness (Not Shown) (See Separate Breakdown in ELECTRICAL Section)	
26	1001209596	1	Plate, Box (Outside)	
27	1001213886	1	Decal - Indoor/Outdoor	
28	1001218285	1	Decal - Platform Control	
29	1001220893	1	Decal - Lift/Drive Function	
30	1001226749	2	Switch - Push Button Yellow	
31	1001258446	2	Switch, Toggle	
32	1001262655	1	Plate, Box (Inside)	
33	1001274605	1	Module, Platform Control	

# SECTION 2 - CONTROLS

## FIGURE 2-16. PLATFORM CONSOLE BOX ASSEMBLY (E18MML,E18MSP)



ART\_1001269940

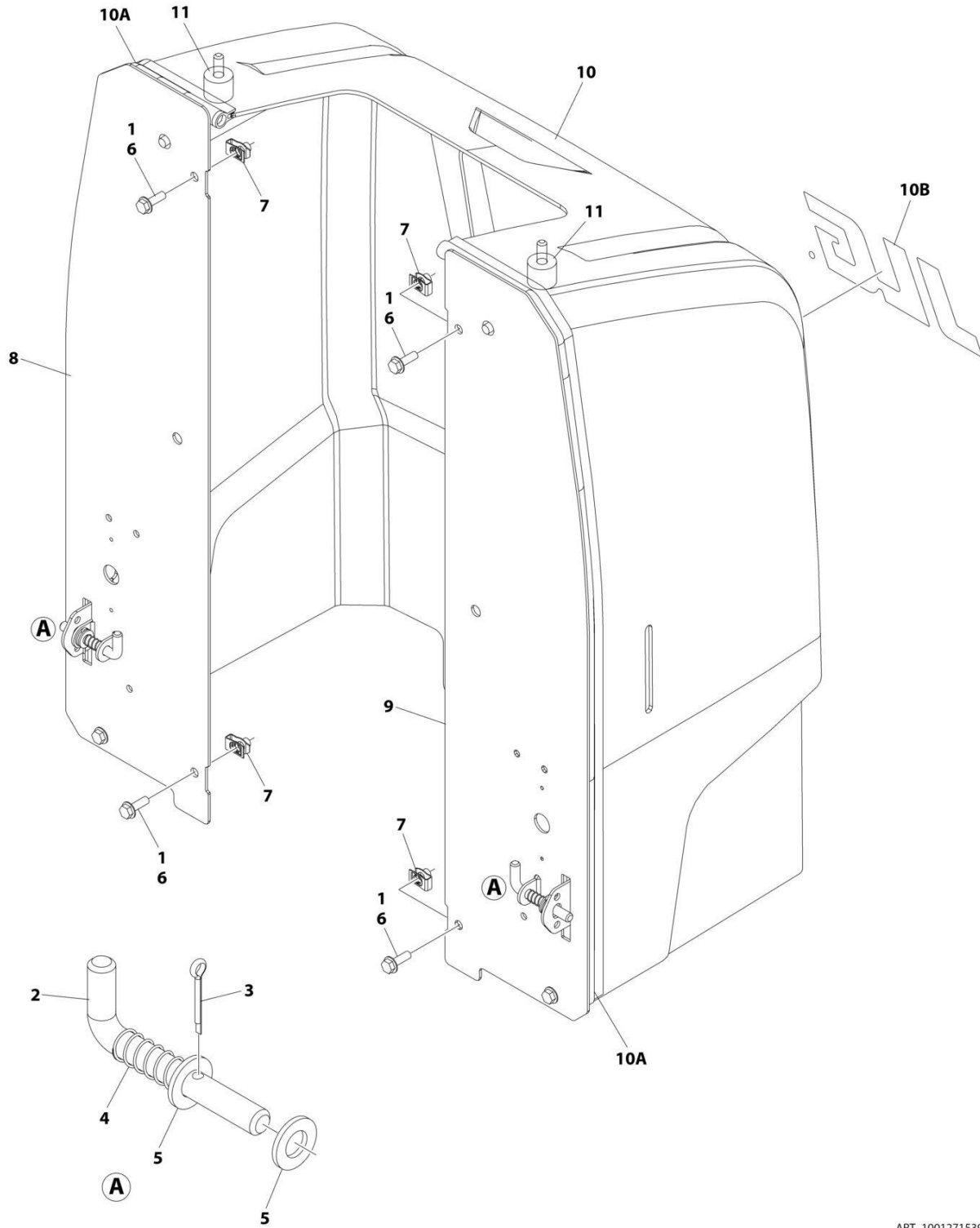
## SECTION 2 - CONTROLS

**FIGURE 2-16. PLATFORM CONSOLE BOX ASSEMBLY (E18MML,E18MSP)**

ITEM	PART NUMBER	QTY	DESCRIPTION	REV
	1001269940	Ref	PLATFORM CONSOLE BOX ASSEMBLY	C
1	0140030	1	Alarm	
2	0700835	1	Bolt M8 x 180	
3	0760610	2	Bolt M6 x 20	
4	1703819	1	Decal - Arrow	
5	1704260	1	Decal - Emergency Stop	
6	3290405	6	Nut M4	
7	3290806	1	Nut M8	
8	3423278	1	Pin, Snap with Lanyard	
9	4031509	4	Capscrew M4 x 25	
10	4060803	6 in /14cm	Flex-Trim	
11	4060906	2	Guard, Switch	
12	4360475	1	Switch, Emergency Stop	
13	4420062	12 in /30cm	Tape	
14	4460496	1	Washer, Terminal	
15	4460497	1	Nut, Terminal	
16	4711700	2	Washer 7/16	
17	4811400	2	Washer M4	
18	4811700	2	Washer M6	
19	4811900	2	Washer M8	
20	1001047064	2	Screw M4 x 15	
21	1001098192	1	Controller Assembly	
22	1001130220	2	Nut, Tinnerman M6	
23	1001132358	1	Decal - Steer	
24	1001132361	1	Decal - Horn	
25	1001200819	1	Platform Control Box Harness (Not Shown) (See Separate Breakdown in ELECTRICAL Section)	
26	1001209596	1	Plate, Box (Outside)	
27	1001213886	1	Decal - Indoor/Outdoor	
28	1001218285	1	Decal - Platform Control	
29	1001220893	1	Decal - Lift/Drive Function	
30	1001226749	2	Switch, Push Button	
31	1001274605	1	Module, Platform Control	
32	1001258446	2	Switch, Toggle	
34	1001262655	1	Plate, Box (Inside)	
35	1001269482	1	Harness, Joystick Jumper (Not Shown)	

# SECTION 2 - CONTROLS

## FIGURE 2-17. HOOD INSTALLATION



ART\_1001271539

## SECTION 2 - CONTROLS

**FIGURE 2-17. HOOD INSTALLATION**

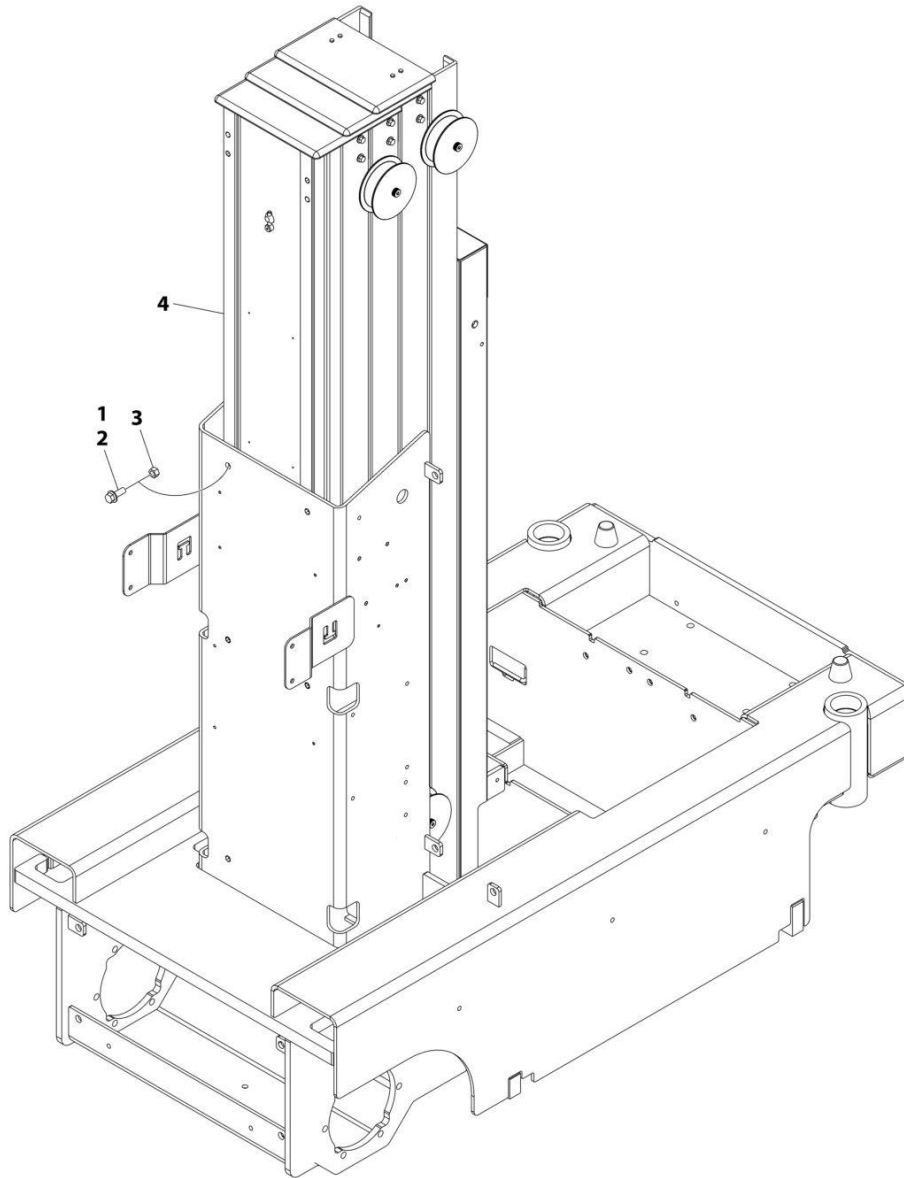
ITEM	PART NUMBER	QTY	DESCRIPTION	REV
	1001271539	Ref	HOOD INSTALLATION	B
1	0100011	AR	Compound, Locking	
2	3423243	2	Pin	
3	3450303	2	Pin, Cotter	
4	4160214	2	Spring	
5	4812000	4	Washer M10	
6	5250812	6	Bolt M8 x 25	
7	1001118274	6	Nut, Tinnerman M8	
8	1001271448	1	Support , Hood (RH)	
9	1001271449	1	Support , Hood (LH)	
10	1001273006	1	Hood Assembly	
10A	0100081	AR	Adhesive	
10A	1001273116	2	Seal	
10B	1001280217	1	Decal - JLG	
10C	4060803	670 mm/ 2 Feet	Trim, Flex (Not Shown)	
11	1001273312	2	Bumper	



**SECTION 3 - MAST**

# SECTION 3 - MAST

## FIGURE 3-1. MAST INSTALLATION



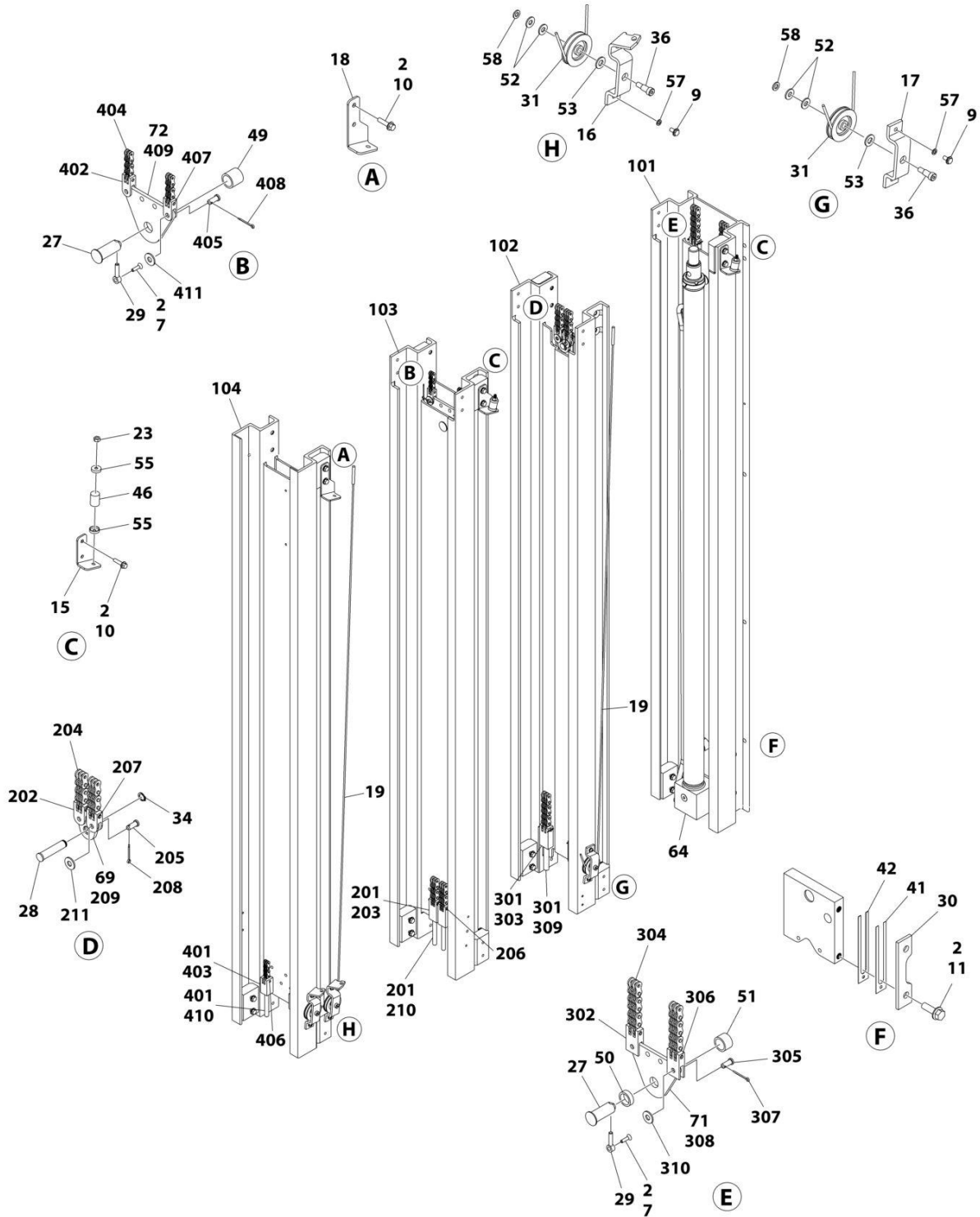
ART\_1001267932

FIGURE 3-1. MAST INSTALLATION

ITEM	PART NUMBER	QTY	DESCRIPTION	REV
	1001267932	Ref	MAST INSTALLATION	D
1	0100019	AR	Compound, Locking	
2	0811608	6	Screw 3/8 x 1	
3	3311601	6	Nut 3/8	
4	1001269862	1	Mast Assembly (See Separate Breakdown in this Section)	



# SECTION 3 - MAST



ART\_1001269862\_20F2

# SECTION 3 - MAST

## FIGURE 3-2. MAST ASSEMBLY

ITEM	PART NUMBER	QTY	DESCRIPTION	REV
	1001269862	Ref	MAST ASSEMBLY	E
1	0060087	1	Actuator, Pothole Protection	
2	0100011	AR	Compound, Locking	
3	0362735	4	Bar, Sheave Pin Support	
4	0362736	2	Bar, Sheave Pin Support	
5	0561341	1	Block, Chain Anchor	
7	0741006	2	Screw #10 x 3/4	
8	0741606	4	Screw 3/8 x 3/4	
9	0791003	8	Screw #10 x 3/8	
10	0811408	51	Screw 1/4 x 1	
11	0811812	4	Screw 1/2 x 1	
12	0902047	1	Bracket, Sequence Cable	
13	0902423	1	Bracket, Chain Attach	
14	0902424	2	Bracket, Bottom Chain Attach	
15	0902431	2	Bracket, Sequence Cable	
16	0902445	2	Bracket, Sequence Cable	
17	0902698	1	Bracket, Sequence Cable	
18	0902775	1	Bracket, Sequence Cable	
19	1060920	3	Cable, Sequence	
20	2080043	4	Rivet	
21	2880310	3	Key	
23	3311401	3	Nut 1/4	
24	3311601	12	Nut 3/8	
25	3340845	14	Pad, Slide Guide	
26	3422717	3	Pin, Sheave	
27	3422750	2	Pin, Chain Equalizer	
28	3422752	1	Pin, Chain Equalizer	
29	3422757	2	Pin, Keeper	
30	3570893	2	Plate, Cylinder Mounting	
31	3580269	3	Sheave, Sequence Cable	
32	3580291	2	Sheave Assembly	
32	0440248	2	Bearing (1 Per Assembly)	
33	3580293	4	Sheave Assembly	
33	0440249	4	Bearing (1 Per Assembly)	
34	3760383	1	Ring, Retaining	
35	3820032	2	Rivet	
36	3900187	3	Screw, Shoulder	
37	3900192	8	Screw 3/8 x 1/2	
38	4070860	AR	Shim, Slide Pad .075	
39	4070861	AR	Shim, Slide Pad .036	
40	4070862	AR	Shim, Slide Pad .015	
41	4070970	AR	Shim, Cylinder Mount	
42	4070971	AR	Shim, Cylinder Mount	
43	4070988	AR	Shim, Slide Pad .075	
44	4070989	AR	Shim, Slide Pad .036	
45	4070990	AR	Shim, Slide Pad 0.15	
46	4160124	3	Spring	
47	4567489	2	Tube, Spacer	
48	4567490	1	Tube, Spacer	
49	4567749	1	Tube, Spacer	

## SECTION 3 - MAST

ITEM	PART NUMBER	QTY	DESCRIPTION	REV
50	4567750	1	Tube, Spacer	
51	4567751	1	Tube, Spacer	
52	4711400	6	Washer 1/4	
53	4711500	3	Washer 5/16	
54	4740007	16	Thrustwasher	
55	4740414	6	Washer, Cup	
56	4751500	3	Washer 5/16	
57	4761000	8	Washer #10	
58	4761400	3	Washer 1/4	
59	4891500	9	Washer 5/16	
60	4892600	2	Washer	
61	1001109786	4	Fastener, Firtree	
62	3940604	12	Screw #6 x 1/2	
63	1001235146	2	Pad, Slide Guide	
64	1001267886	1	Lift Cylinder Assembly (See Separate Breakdown in CYLINDER Section)	
65	1001269091	1	Cover, Mast	
66	1001269092	1	Cover, Mast	
67	1001269093	1	Cover, Mast	
68	1001269197	1	Panel, Head Cover	
69	1001269323	1	Chain Assembly - #444 (See Items 101-111 for Breakdown)	
71	1001269325	1	Chain Assembly - #466 (See Items 201-210 for Breakdown)	
72	1001269326	1	Chain Assembly - #444 (See Items 301-311 for Breakdown)	
73	1001269402	1	Cover, Chain	
74	1001270589	3	Pulley, Control Cable	
75	1001270137	3	Bolt	
100	1001267931	1	Mast, Kit (Not Shown)	
101	1001269037	1	Channel, Mast #1	
102	1001269038	1	Channel, Mast #2	
103	1001269039	1	Channel, Mast #3	
104	1001269041	1	Channel, Mast #4	
105	1001269042	1	Channel, Mast Header	
	1001269323	Ref	CHAIN ASSEMBLY - #444	D
201	0100019	AR	Compound, Locking	
202	0561149	2	Block, Chain Anchor	
203	0561408	2	Block, Chain Anchor	
204	1260298	AR	Chain	
205	3422338	2	Pin, Equalizer	
206	3422346	2	Pin, Grooved	
207	3422355	2	Pin	
208	3450304	2	Pin, Cotter	
209	3571103	1	Plate, Chain Adjustment	
210	4300111	2	Stud	
211	4751500	2	Washer 5/16	
	1001269325	Ref	CHAIN ASSEMBLY - #466	D
301	0100019	AR	Compound, Locking	
302	0561153	2	Block, Chain Anchor	
303	0561409	2	Block, Chain Anchor	
304	1260299	AR	Chain	
305	3422338	2	Pin, Equalizer	
306	3422346	4	Pin, Grooved	
307	3450304	2	Pin, Cotter	

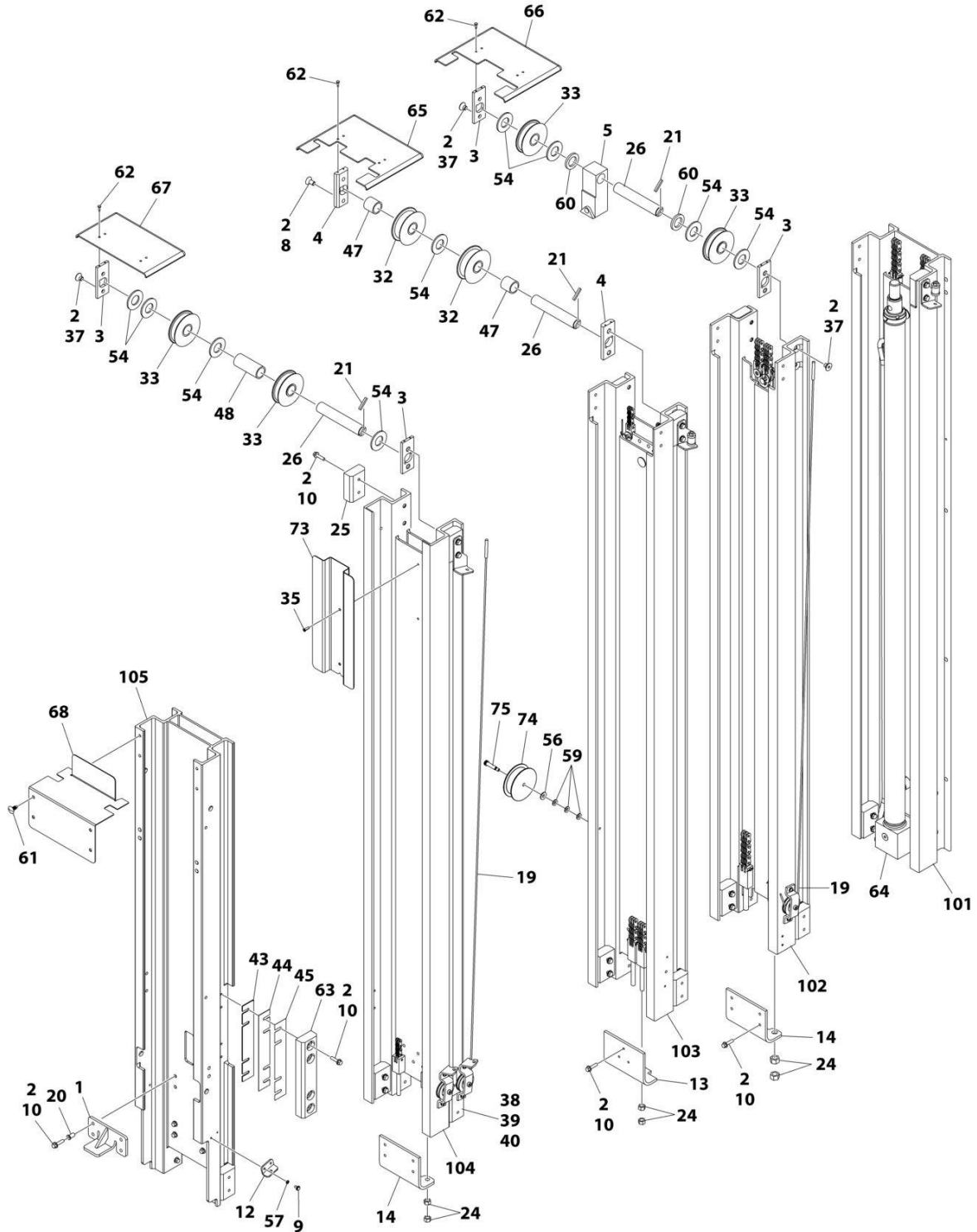
## SECTION 3 - MAST

ITEM	PART NUMBER	QTY	DESCRIPTION	REV
308	3571101	1	Plate, Chain Adjustment	C
309	4300111	2	Stud	
310	4751500	2	Washer 5/16	
	1001269326	Ref	CHAIN ASSEMBLY - #444	
401	0100019	AR	Compound, Locking	
402	0561149	2	Block, Chain Anchor	
403	0561408	2	Block, Chain Anchor	
404	1260298	AR	Chain	
405	3422338	2	Pin, Equalizer	
406	3422346	2	Pin, Grooved	
407	3422355	2	Pin	
408	3450304	2	Pin, Cotter	
409	3571101	1	Plate, Chain Adjustment	
410	4300111	2	Stud	
411	4751500	2	Washer 5/16	



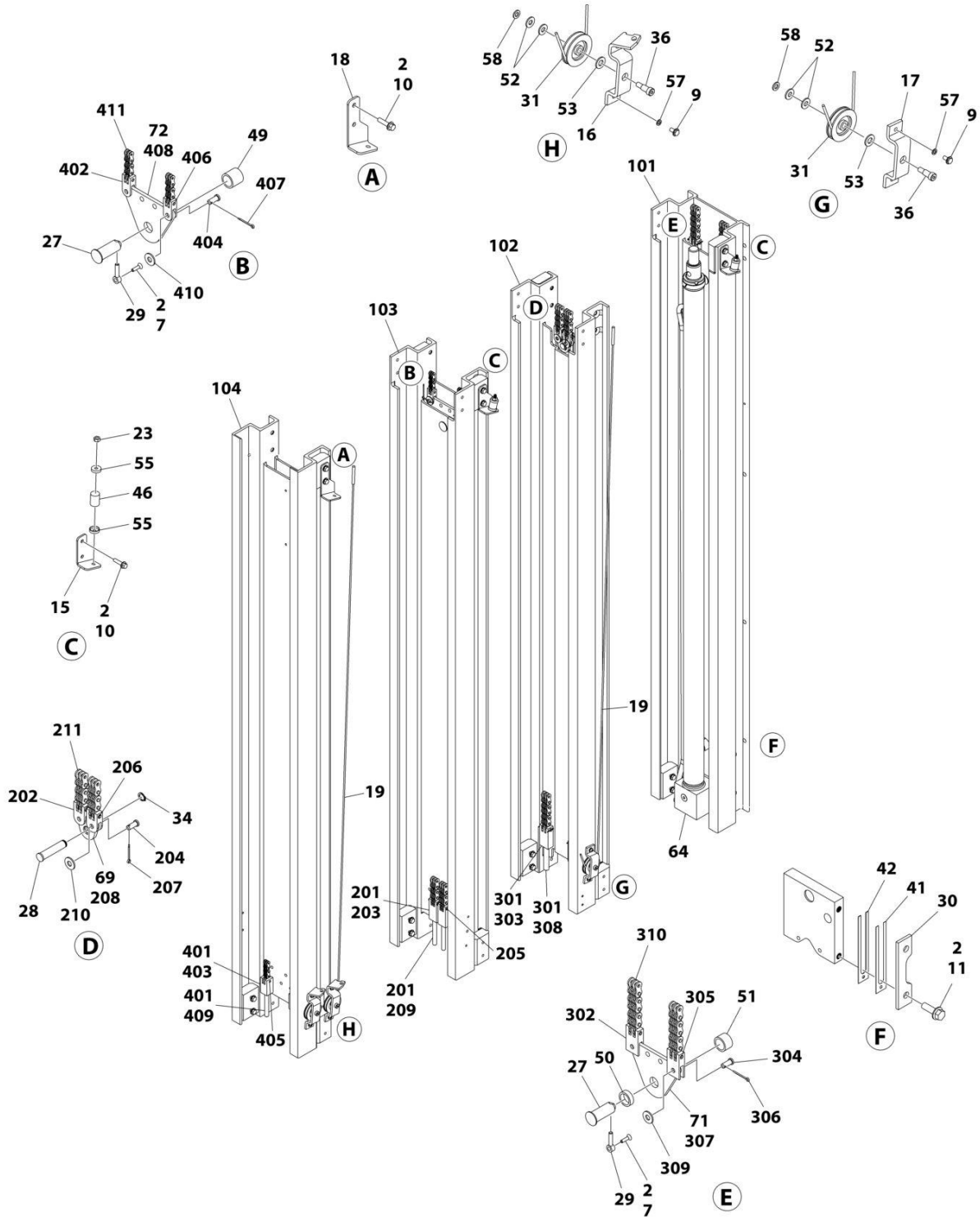
# SECTION 3 - MAST

## FIGURE 3-3. MAST ASSEMBLY (SN M130012654 to Present)



ART\_1001269862\_F\_10F2

# SECTION 3 - MAST



ART\_1001269862\_F\_20F2

## SECTION 3 - MAST

FIGURE 3-3. MAST ASSEMBLY (SN M130012654 to Present)

ITEM	PART NUMBER	QTY	DESCRIPTION	REV
	1001269862	Ref	MAST ASSEMBLY	F
1	0060087	1	Actuator, Pothole Protection	
2	0100011	AR	Compound, Locking	
3	0362735	4	Bar, Sheave Pin Support	
4	0362736	2	Bar, Sheave Pin Support	
5	0561341	1	Block, Chain Anchor	
7	0741006	2	Screw #10 x 3/4	
8	0741606	4	Screw 3/8 x 3/4	
9	0791003	8	Screw #10 x 3/8	
10	0811408	51	Screw 1/4 x 1	
11	0811812	4	Screw 1/2 x 1	
12	0902047	1	Bracket, Sequence Cable	
13	0902423	1	Bracket, Chain Attach	
14	0902424	2	Bracket, Bottom Chain Attach	
15	0902431	2	Bracket, Sequence Cable	
16	0902445	2	Bracket, Sequence Cable	
17	0902698	1	Bracket, Sequence Cable	
18	0902775	1	Bracket, Sequence Cable	
19	1060920	3	Cable, Sequence	
20	2080043	4	Rivet	
21	2880310	3	Key	
23	3311401	3	Nut 1/4	
24	3311601	12	Nut 3/8	
25	3340845	14	Pad, Slide Guide	
26	3422717	3	Pin, Sheave	
27	3422750	2	Pin, Chain Equalizer	
28	3422752	1	Pin, Chain Equalizer	
29	3422757	2	Pin, Keeper	
30	3570893	2	Plate, Cylinder Mounting	
31	3580269	3	Sheave, Sequence Cable	
32	3580291	2	Sheave Assembly	
32	0440248	2	Bearing (1 Per Assembly)	
33	3580293	4	Sheave Assembly	
33	0440249	4	Bearing (1 Per Assembly)	
34	3760383	1	Ring, Retaining	
35	3820032	2	Rivet	
36	3900187	3	Screw, Shoulder	
37	3900192	8	Screw 3/8 x 1/2	
38	4070860	AR	Shim, Slide Pad .075	
39	4070861	AR	Shim, Slide Pad .036	
40	4070862	AR	Shim, Slide Pad .015	
41	4070970	AR	Shim, Cylinder Mount	
42	4070971	AR	Shim, Cylinder Mount	
43	4070988	AR	Shim, Slide Pad .075	
44	4070989	AR	Shim, Slide Pad .036	
45	4070990	AR	Shim, Slide Pad 0.15	
46	4160124	3	Spring	
47	4567489	2	Tube, Spacer	
48	4567490	1	Tube, Spacer	
49	4567749	1	Tube, Spacer	

## SECTION 3 - MAST

ITEM	PART NUMBER	QTY	DESCRIPTION	REV
50	4567750	1	Tube, Spacer	
51	4567751	1	Tube, Spacer	
52	4711400	6	Washer 1/4	
53	4711500	3	Washer 5/16	
54	4740007	16	Thrustwasher	
55	4740414	6	Washer, Cup	
56	4751500	3	Washer 5/16	
57	4761000	8	Washer #10	
58	4761400	3	Washer 1/4	
59	4891500	9	Washer 5/16	
60	4892600	2	Washer	
61	1001109786	4	Fastener, Firtree	
62	3940604	12	Screw #6 x 1/2	
63	1001235146	2	Pad, Slide Guide	
64	1001267886	1	Lift Cylinder Assembly (See Separate Breakdown in CYLINDER Section)	
65	1001269091	1	Cover, Mast	
66	1001269092	1	Cover, Mast	
67	1001269093	1	Cover, Mast	
68	1001269197	1	Panel, Head Cover	
69	1001300768	1	Chain Assembly - #444 (See Items 201-211 for Breakdown)	
71	1001300770	1	Chain Assembly - #466 (See Items 301-310 for Breakdown)	
72	1001300769	1	Chain Assembly - #444 (See Items 401-411 for Breakdown)	
73	1001269402	1	Cover, Chain	
74	1001270589	3	Pulley, Control Cable	
75	1001270137	3	Bolt	
100	1001267931	1	Mast, Kit (Not Shown)	
101	1001269037	1	Channel, Mast #1	
102	1001269038	1	Channel, Mast #2	
103	1001269039	1	Channel, Mast #3	
104	1001269041	1	Channel, Mast #4	
105	1001269042	1	Channel, Mast Header	
	1001300768	Ref	CHAIN ASSEMBLY - #444	A
201	0100019	AR	Compound, Locking	
202	0561149	2	Block, Chain Anchor	
203	0561408	2	Block, Chain Anchor	
204	3422338	2	Pin, Equalizer	
205	3422346	2	Pin, Grooved	
206	3422355	2	Pin	
207	3450304	2	Pin, Cotter	
208	3571103	1	Plate, Chain Adjustment	
209	4300111	2	Stud	
210	4751500	2	Washer 5/16	
211	1001300767	12 ft/4 m	Chain	
	1001300770	Ref	CHAIN ASSEMBLY - #466	A
301	0100019	AR	Compound, Locking	
302	0561153	2	Block, Chain Anchor	
303	0561409	2	Block, Chain Anchor	
304	3422338	2	Pin, Equalizer	
305	3422346	4	Pin, Grooved	
306	3450304	2	Pin, Cotter	
307	3571101	1	Plate, Chain Adjustment	

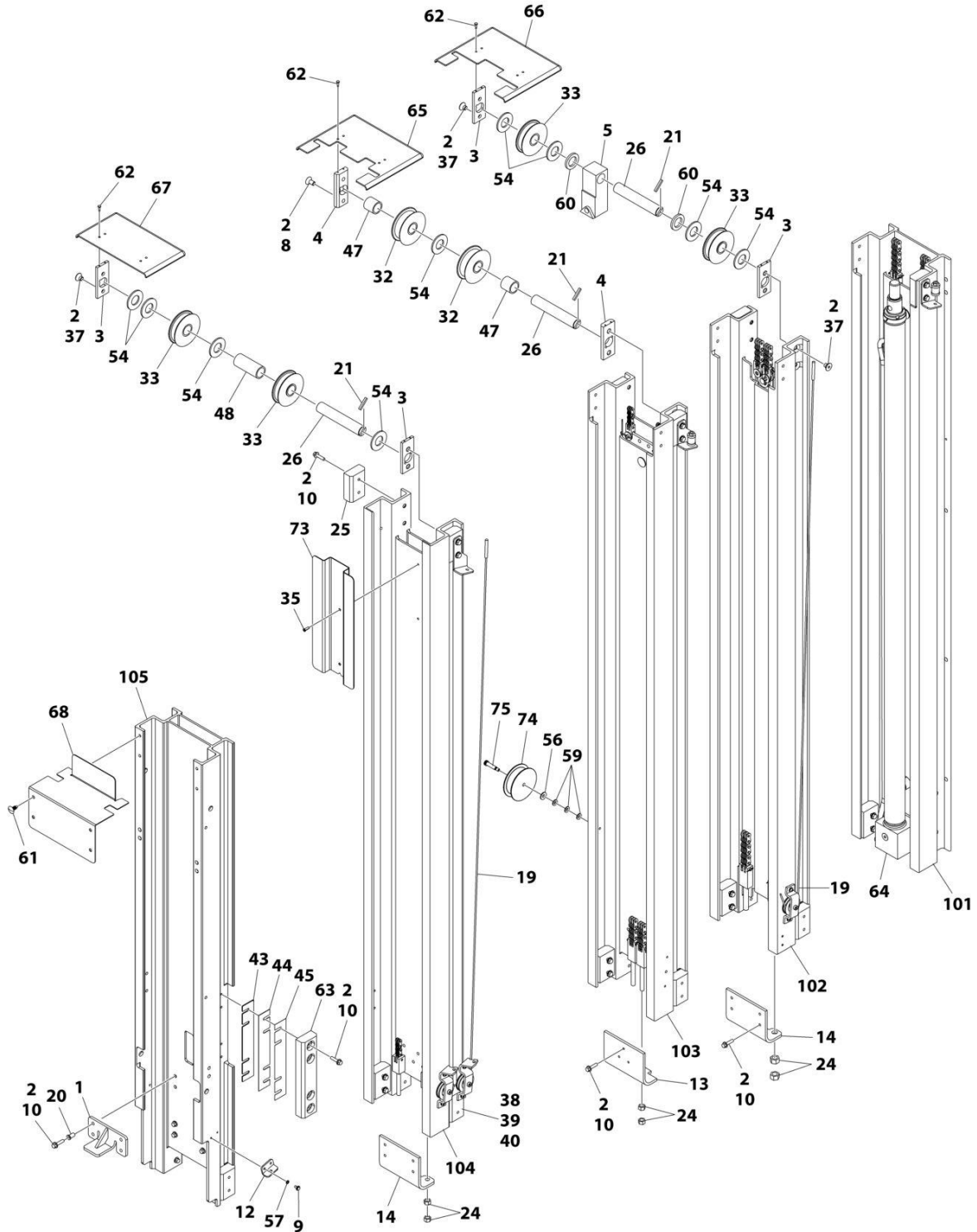
## SECTION 3 - MAST

ITEM	PART NUMBER	QTY	DESCRIPTION	REV
308	4300111	2	Stud	A
309	4751500	2	Washer 5/16	
310	1001300767	12 ft/4 m	Chain	
	1001300769	Ref	CHAIN ASSEMBLY - #444	
401	0100019	AR	Compound, Locking	
402	0561149	2	Block, Chain Anchor	
403	0561408	2	Block, Chain Anchor	
404	3422338	2	Pin, Equalizer	
405	3422346	2	Pin, Grooved	
406	3422355	2	Pin	
407	3450304	2	Pin, Cotter	
408	3571101	1	Plate, Chain Adjustment	
409	4300111	2	Stud	
410	4751500	2	Washer 5/16	
411	1001300767	12 ft/4 m	Chain	



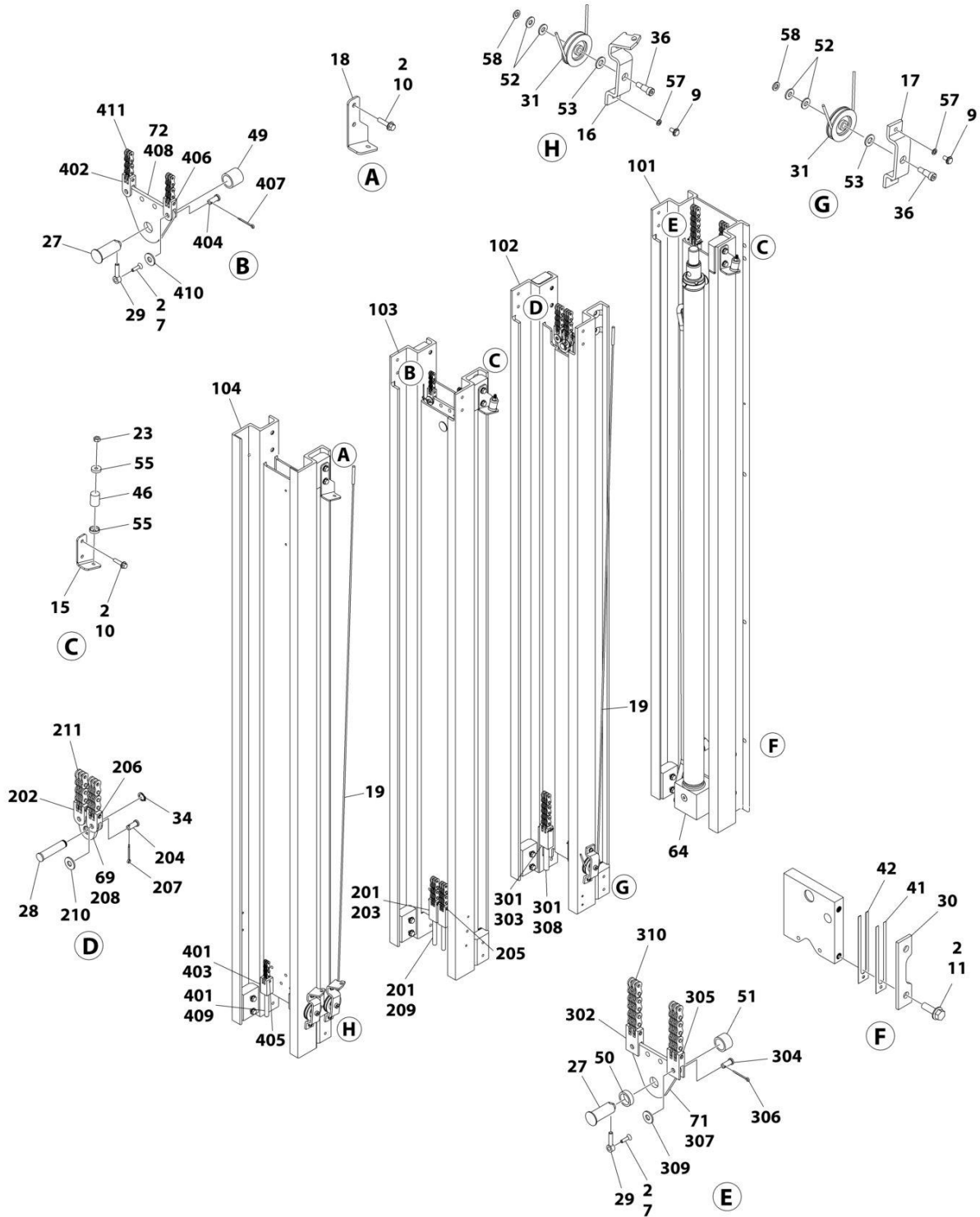
# SECTION 3 - MAST

## FIGURE 3-4. MAST ASSEMBLY (SN M130014568 to Present)



ART\_1001269862\_G\_10F2

# SECTION 3 - MAST



ART\_1001269862\_G\_20F2

# SECTION 3 - MAST

FIGURE 3-4. MAST ASSEMBLY (SN M130014568 to Present)

ITEM	PART NUMBER	QTY	DESCRIPTION	REV
	1001269862	Ref	MAST ASSEMBLY	G
1	0060087	1	Actuator, Pothole Protection	
2	0100011	AR	Compound, Locking	
3	0362735	4	Bar, Sheave Pin Support	
4	0362736	2	Bar, Sheave Pin Support	
5	0561341	1	Block, Chain Anchor	
7	0741006	2	Screw #10 x 3/4	
8	0741606	4	Screw 3/8 x 3/4	
9	0791003	8	Screw #10 x 3/8	
10	0811408	51	Screw 1/4 x 1	
11	0811812	4	Screw 1/2 x 1	
12	0902047	1	Bracket, Sequence Cable	
13	0902423	1	Bracket, Chain Attach	
14	0902424	2	Bracket, Bottom Chain Attach	
15	1001305964	2	Bracket, Sequence Cable	
16	0902445	2	Bracket, Sequence Cable	
17	0902698	1	Bracket, Sequence Cable	
18	1001305879	1	Bracket, Sequence Cable	
19	1060920	3	Cable, Sequence	
20	2080043	4	Rivet	
21	2880310	3	Key	
23	3311401	3	Nut 1/4	
24	3311601	12	Nut 3/8	
25	3340845	14	Pad, Slide Guide	
26	3422717	3	Pin, Sheave	
27	3422750	2	Pin, Chain Equalizer	
28	3422752	1	Pin, Chain Equalizer	
29	3422757	2	Pin, Keeper	
30	3570893	2	Plate, Cylinder Mounting	
31	3580269	3	Sheave, Sequence Cable	
32	3580291	2	Sheave Assembly	
32	0440248	2	Bearing (1 Per Assembly)	
33	3580293	4	Sheave Assembly	
33	0440249	4	Bearing (1 Per Assembly)	
34	3760383	1	Ring, Retaining	
35	3820032	2	Rivet	
36	3900187	3	Screw, Shoulder	
37	3900192	8	Screw 3/8 x 1/2	
38	4070860	AR	Shim, Slide Pad .075	
39	4070861	AR	Shim, Slide Pad .036	
40	4070862	AR	Shim, Slide Pad .015	
41	4070970	AR	Shim, Cylinder Mount	
42	4070971	AR	Shim, Cylinder Mount	
43	4070988	AR	Shim, Slide Pad .075	
44	4070989	AR	Shim, Slide Pad .036	
45	4070990	AR	Shim, Slide Pad 0.15	
46	4160124	3	Spring	
47	4567489	2	Tube, Spacer	
48	4567490	1	Tube, Spacer	
49	4567749	1	Tube, Spacer	

## SECTION 3 - MAST

ITEM	PART NUMBER	QTY	DESCRIPTION	REV
50	4567750	1	Tube, Spacer	
51	4567751	1	Tube, Spacer	
52	4711400	6	Washer 1/4	
53	4711500	3	Washer 5/16	
54	4740007	16	Thrustwasher	
55	4740414	6	Washer, Cup	
56	4751500	3	Washer 5/16	
57	4761000	8	Washer #10	
58	4761400	3	Washer 1/4	
59	4891500	9	Washer 5/16	
60	4892600	2	Washer	
61	1001109786	4	Fastener, Firtree	
62	3940604	12	Screw #6 x 1/2	
63	1001235146	2	Pad, Slide Guide	
64	1001267886	1	Lift Cylinder Assembly (See Separate Breakdown in CYLINDER Section)	
65	1001269091	1	Cover, Mast	
66	1001269092	1	Cover, Mast	
67	1001269093	1	Cover, Mast	
68	1001269197	1	Panel, Head Cover	
69	1001300768	1	Chain Assembly - #444 (See Items 201-211 for Breakdown)	
71	1001300770	1	Chain Assembly - #466 (See Items 301-310 for Breakdown)	
72	1001300769	1	Chain Assembly - #444 (See Items 401-411 for Breakdown)	
73	1001269402	1	Cover, Chain	
74	1001270589	3	Pulley, Control Cable	
75	1001270137	3	Bolt	
100	1001267931	1	Mast, Kit (Not Shown)	
101	1001269037	1	Channel, Mast #1	
102	1001269038	1	Channel, Mast #2	
103	1001269039	1	Channel, Mast #3	
104	1001269041	1	Channel, Mast #4	
105	1001269042	1	Channel, Mast Header	
	1001300768	Ref	CHAIN ASSEMBLY - #444	A
201	0100019	AR	Compound, Locking	
202	0561149	2	Block, Chain Anchor	
203	0561408	2	Block, Chain Anchor	
204	3422338	2	Pin, Equalizer	
205	3422346	2	Pin, Grooved	
206	3422355	2	Pin	
207	3450304	2	Pin, Cotter	
208	3571103	1	Plate, Chain Adjustment	
209	4300111	2	Stud	
210	4751500	2	Washer 5/16	
211	1001300767	12 ft/4 m	Chain	
	1001300770	Ref	CHAIN ASSEMBLY - #466	A
301	0100019	AR	Compound, Locking	
302	0561153	2	Block, Chain Anchor	
303	0561409	2	Block, Chain Anchor	
304	3422338	2	Pin, Equalizer	
305	3422346	4	Pin, Grooved	
306	3450304	2	Pin, Cotter	
307	3571101	1	Plate, Chain Adjustment	

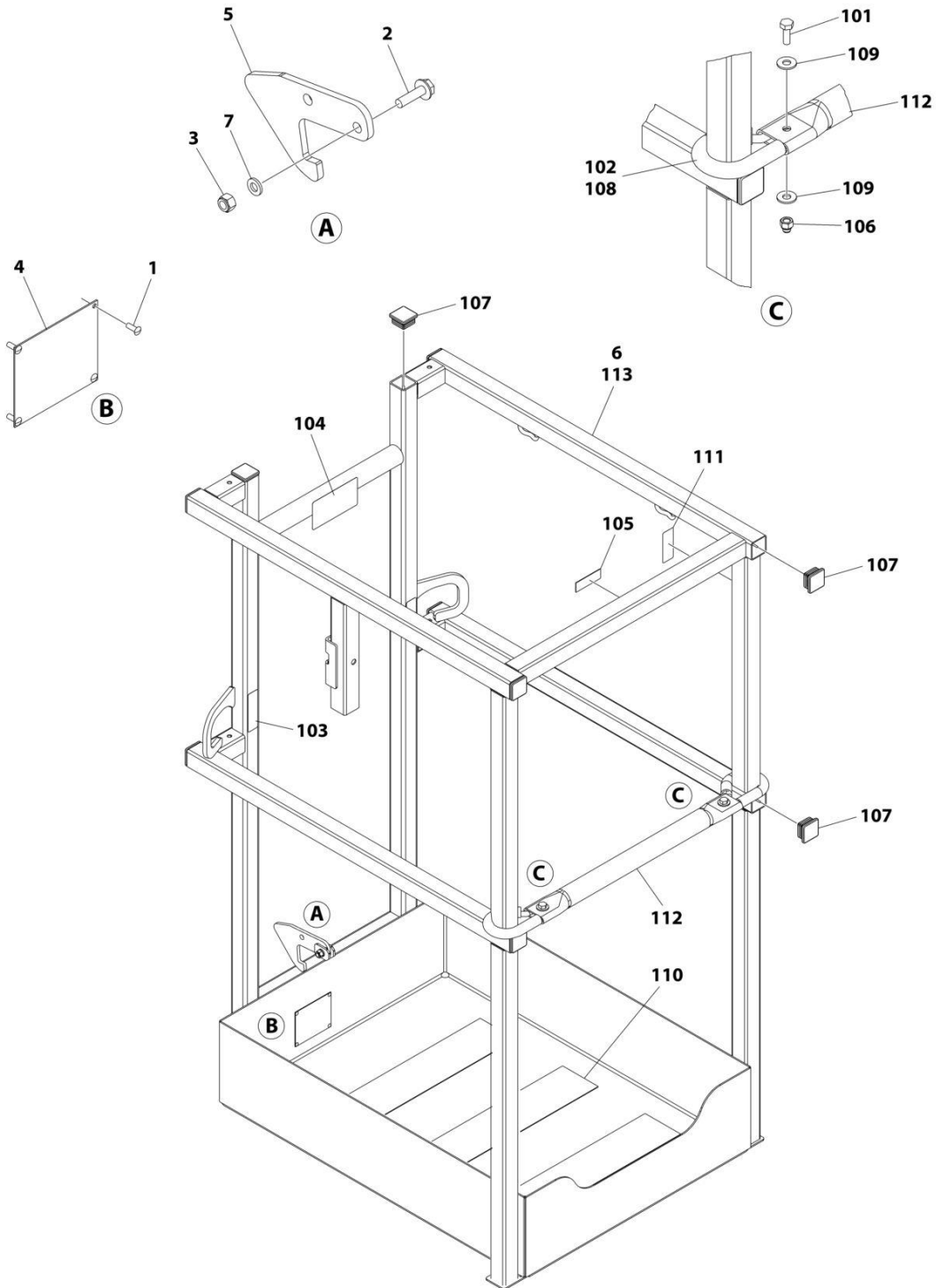
## SECTION 3 - MAST

ITEM	PART NUMBER	QTY	DESCRIPTION	REV
308	4300111	2	Stud	A
309	4751500	2	Washer 5/16	
310	1001300767	12 ft/4 m	Chain	
	1001300769	Ref	CHAIN ASSEMBLY - #444	
401	0100019	AR	Compound, Locking	
402	0561149	2	Block, Chain Anchor	
403	0561408	2	Block, Chain Anchor	
404	3422338	2	Pin, Equalizer	
405	3422346	2	Pin, Grooved	
406	3422355	2	Pin	
407	3450304	2	Pin, Cotter	
408	3571101	1	Plate, Chain Adjustment	
409	4300111	2	Stud	
410	4751500	2	Washer 5/16	
411	1001300767	12 ft/4 m	Chain	

**SECTION 4 - PLATFORM**

# SECTION 4 - PLATFORM

## FIGURE 4-1. PLATFORM INSTALLATION - 22IN X 26IN (CEILING TILE INSTALLER)



ART\_1001280846

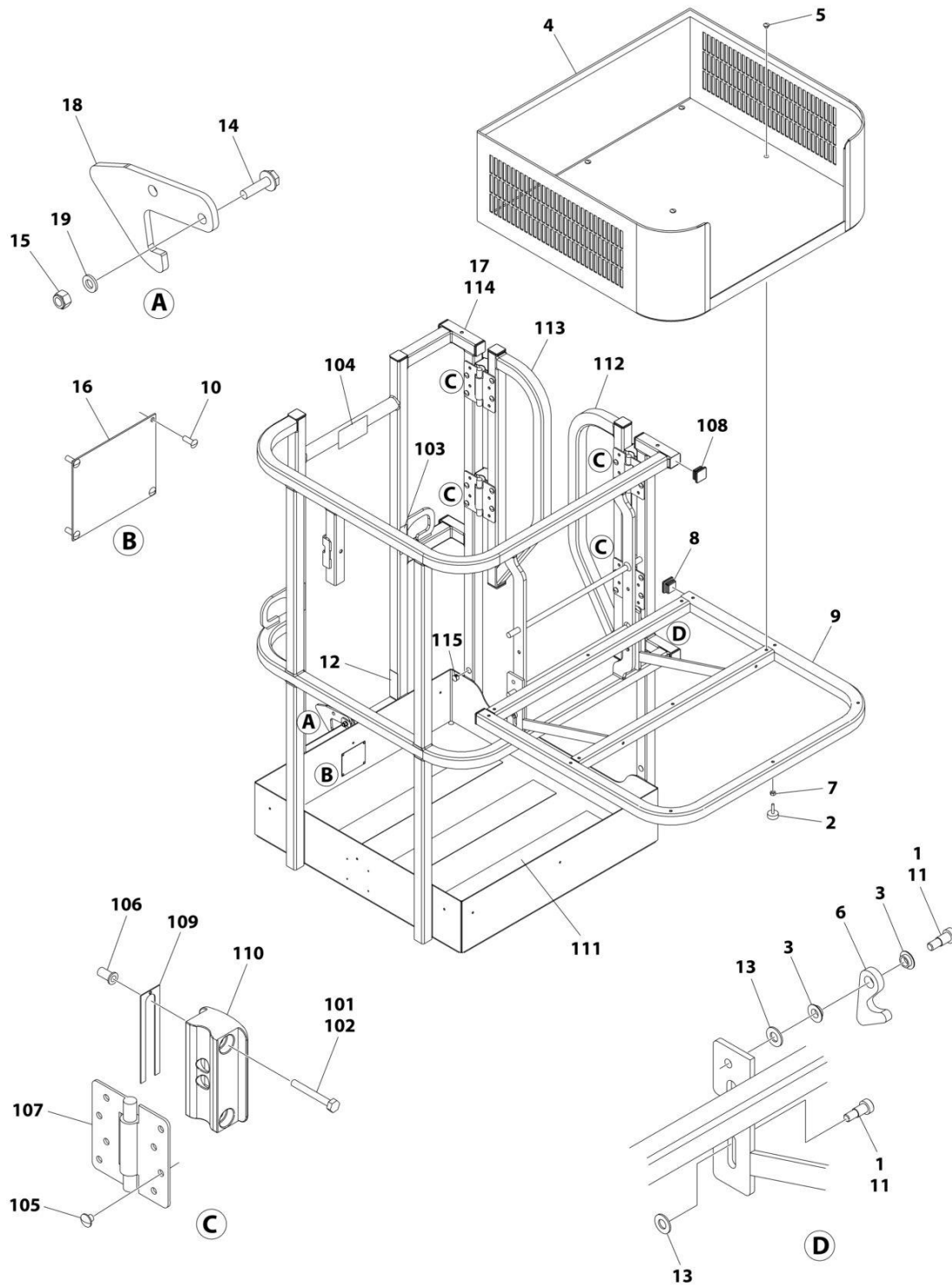
## SECTION 4 - PLATFORM

**FIGURE 4-1. PLATFORM INSTALLATION - 22IN X 26IN (CEILING TILE INSTALLER)**

ITEM	PART NUMBER	QTY	DESCRIPTION	REV
	1001280846	Ref	PLATFORM INSTALLATION - 22IN x 26IN (CEILING TILE INSTALLER)	B
1	3820012	4	Rivet	
2	5250611	1	Bolt M6 x 22	
3	3290605	1	Nut, Lock M6	
4	See Note	NSS	Nameplate - SN (Note: Not Available for Purchase)	
5	1001271823	1	Plate, Platform Catch	
6	1001280843	1	Platform Assembly (See Items 101-113 for Serviced Components)	
7	4811700	1	Washer M6	
	1001280843	Ref	PLATFORM ASSEMBLY	B
101	0641406	2	Bolt 1/4 x 3/4	
102	1560010	13.5 in /34cm	Conduit	
103	1001260837	2	Decal - Lanyard	
104	1704366	1	Decal - Fall Hazard	
105	1706493	1	Decal - Drop Bar	
106	2080063	2	Nut 1/4	
107	3520072	10	Plug	
108	3841692	2	Rod, Gate Ring	
109	4751400	4	Washer 1/4	
110	1001099638	3	Tape, Non-Skid	
111	1001280547	1	Decal - Tool Lanyard	
112	1001280838	1	Tube, Platform	
113		Ref	Platform (Note: Not Available - Purchase Complete Assembly)	

# SECTION 4 - PLATFORM

FIGURE 4-2. PLATFORM INSTALLATION - 28IN X 29.5IN (NON - EXTENDABLE/ALUMINUM TRAY/SALOON DOOR ENTRY)



ART\_1001280848

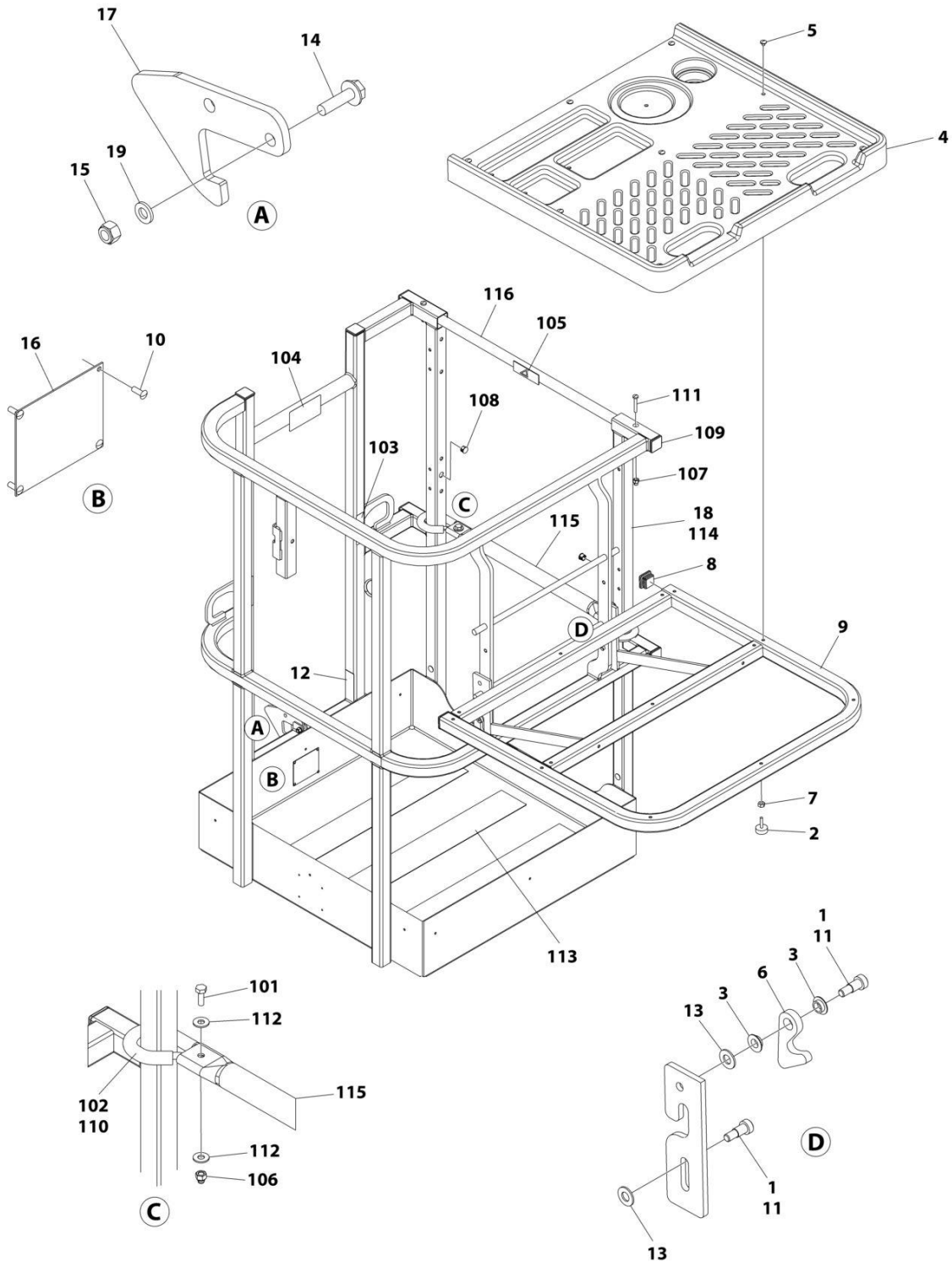
## SECTION 4 - PLATFORM

**FIGURE 4-2. PLATFORM INSTALLATION - 28IN X 29.5IN (NON - EXTENDABLE/ALUMINUM TRAY/SALOON DOOR ENTRY)**

ITEM	PART NUMBER	QTY	DESCRIPTION	REV
	1001280848	Ref	PLATFORM INSTALLATION - 28IN x 29.5IN (NON - EXTENDABLE/ALUMINUM TRAY/SALOON DOOR ENTRY)	B
1	0100011	AR	Compound, Locking	
2	0940083	1	Bumper	
3	0961892	2	Bushing	
4	1580019	1	Container, Material Tray	
5	2080040	8	Fastener	
6	2700098	1	Hook	
7	3311401	1	Nut 1/4	
8	3520072	2	Plug	
9	3641542	1	Weldment, Tray Support	
10	3820012	4	Rivet	
11	3900190	3	Screw 3/8 x 1/2	
12	4420062	0.49 ft /0.15m	Tape	
13	4711600	3	Washer 3/8	
14	5250611	1	Bolt M6 x 22	
15	3290605	1	Nut, Lock M6	
16	See Note	NSS	Nameplate - SN (Note: Not Available for Purchase)	
17	1001270702	1	Platform Assembly (See Items 101-115 for Serviced Components)	
18	1001271823	1	Plate, Platform Catch	
19	4811700	1	Washer M6	
	1001270702	Ref	PLATFORM ASSEMBLY	D
101	0100011	AR	Compound, Locking	
102	0641416	8	Bolt 1/4 x 2	
103	1001260837	2	Decal - Lanyard Attach	
104	1704366	1	Decal - Fall Hazard	
105	2080040	16	Fastener	
106	2080043	8	Rivet	
107	2600294	4	Hinge	
108	3520072	12	Plug	
109	4071095	4	Shim	
110	4220309	4	Stop, Swing Gate	
111	1001099638	3	Tape, Non-Skid	
112	1001268478	1	Gate, Saloon (RH)	
113	1001268479	1	Gate, Saloon (LH)	
114		Ref	Platform (Note: Not Available - Purchase Complete Assembly)	
115	3520028	2	Plug	

# SECTION 4 - PLATFORM

## FIGURE 4-3. PLATFORM INSTALLATION - 28IN X 29.5IN (NON - EXTENDABLE/MOLDED TRAY/DROPBAR ENTRY)



ART\_1001280847

## SECTION 4 - PLATFORM

**FIGURE 4-3. PLATFORM INSTALLATION - 28IN X 29.5IN (NON - EXTENDABLE/MOLDED TRAY/DROPBAR ENTRY)**

ITEM	PART NUMBER	QTY	DESCRIPTION	REV
	1001280847	Ref	PLATFORM INSTALLATION - 28IN x 29.5IN (NON - EXTENDABLE/MOLDED TRAY/DROPBAR ENTRY)	B
1	0100011	AR	Compound, Locking	
2	0940083	1	Bumper	
3	0961892	2	Bushing	
4	1580051	1	Tray, Plastic	
5	2080040	8	Fastener	
6	2700098	1	Hook	
7	3311401	1	Nut 1/4	
8	3520072	2	Plug	
9	3641542	1	Weldment, Tray Support	
10	3820012	4	Rivet	
11	3900190	3	Screw 3/8 x 1/2	
12	4420062	0.49 ft /0.15m	Tape	
13	4711600	3	Washer 3/8	
14	5250611	1	Bolt M6 x 22	
15	3290605	1	Nut, Lock M6	
16	See Note	NSS	Nameplate - SN (Note: Not Available for Purchase)	
17	1001271823	1	Plate, Platform Catch	
18	1001280844	1	Platform Assembly (See Items 101-116 for Serviced Components)	
19	4811700	1	Washer M6	
	1001280844	Ref	PLATFORM ASSEMBLY	B
101	0641406	2	Bolt 1/4 x 3/4	
102	1560010	1.14 ft /0.35m	Conduit	
103	1001260837	2	Decal - Lanyard Attach	
104	1704366	1	Decal - Fall Hazard	
105	1706493	1	Decal - Drop Bar	
106	2080063	2	Nut 1/4	
107	3290606	2	Nut M6	
108	3520028	4	Plug	
109	3520072	6	Plug	
110	3841692	2	Rod, Gate Ring	
111	4010616	2	Screw M6 x 40	
112	4751400	4	Washer 1/4	
113	1001099638	3	Tape, Non-Skid	
114		Ref	Platform (Note: Not Available - Purchase Complete Assembly)	
115	1001280835	1	Tube, Platform Gate	
116	1001280836	1	Tube, Platform Rail	



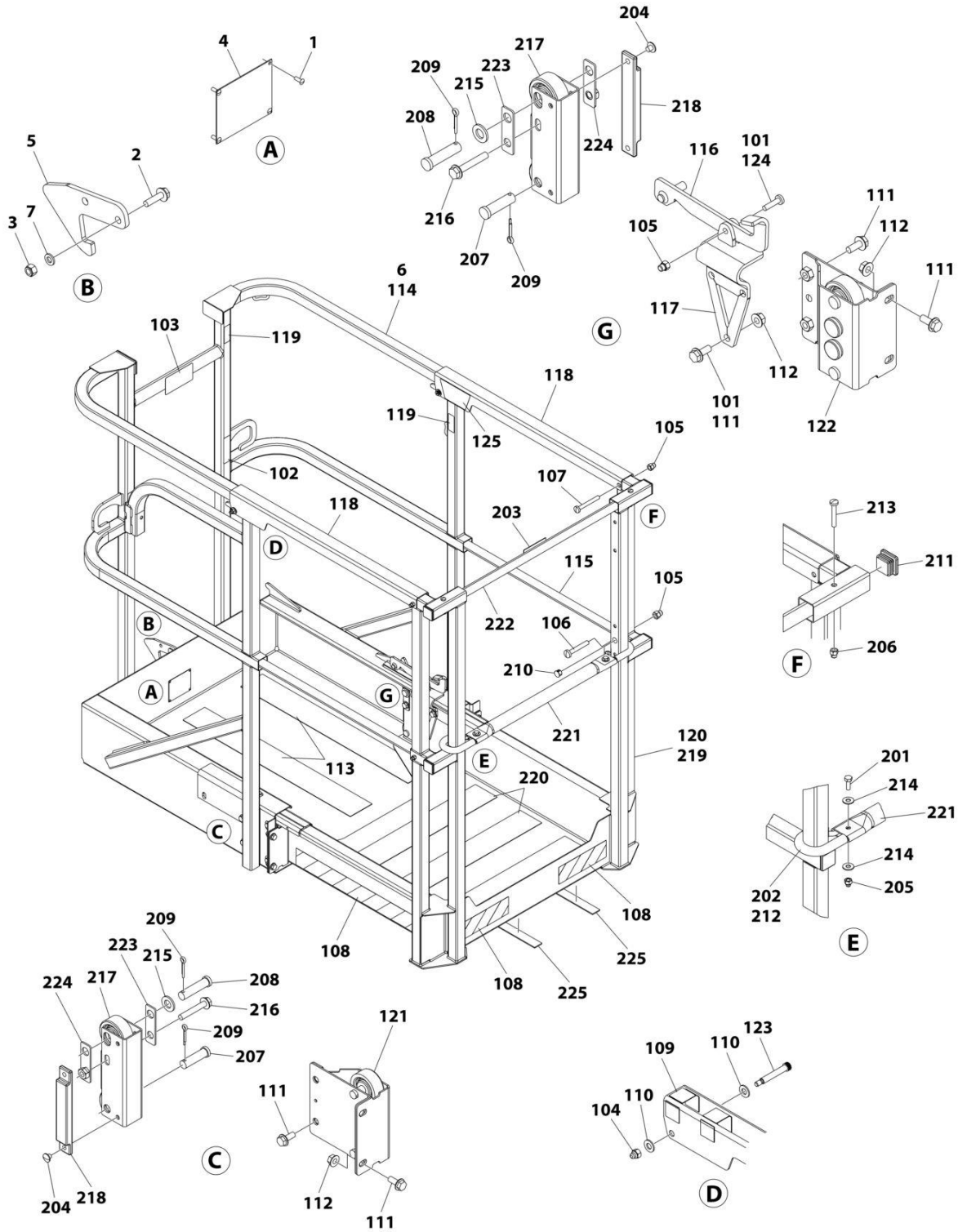
## SECTION 4 - PLATFORM

**FIGURE 4-4. PLATFORM INSTALLATION - 28IN X 29.5IN (NON - EXTENDABLE/MOLDED TRAY/SALOON DOOR ENTRY)**

ITEM	PART NUMBER	QTY	DESCRIPTION	REV
	1001270703	Ref	PLATFORM INSTALLATION - 28IN x 29.5IN (NON - EXTENDABLE/MOLDED TRAY/SALOON DOOR ENTRY)	C
1	0100011	AR	Compound, Locking	
3	0961892	2	Bushing	
4	1580051	1	Tray, Plastic	
5	2700098	1	Hook	
7	3641542	1	Weldment, Tray Support	
8	3820012	4	Rivet	
9	3900190	3	Screw 3/8 x 1/2	
10	4711600	3	Washer 3/8	
11	5250611	1	Bolt M6 x 22	
12	3290605	1	Nut, Lock M6	
13	See Note	NSS	Nameplate - SN (Note: Not Available for Purchase)	
14	1001270702	1	Platform Assembly (See Items 101-115 for Serviced Components)	
15	1001271823	1	Plate, Platform Catch	
16	0940083	1	Bumper	
17	2080040	8	Fastener, Huck	
18	3311401	1	Nut 1/4	
19	3520072	2	Plug	
20	4420062	0.49 ft /0.15m	Tape	
21	4811700	1	Washer M6	
	1001270702	1	PLATFORM ASSEMBLY	G
101	0100011	AR	Compound, Locking	
102	0641416	8	Bolt 1/4 x 2	
103	1001260837	2	Decal - Lanyard Attach	
104	1704366	1	Decal - Fall Hazard	
105	2080040	16	Fastener	
106	2080043	8	Rivnut	
107	2600294	4	Hinge	
107	2600281	4	Hinge	
108	3520072	12	Plug	
109	4071095	4	Shim	
110	4220309	4	Stop, Swing Gate	
111	1001099638	3	Tape, Non-Skid	
112	1001268478	1	Gate, Saloon (RH)	
113	1001268479	1	Gate, Saloon (LH)	
114		Ref	Platform (Note: Not Available - Purchase Complete Assembly)	
115	3520028	2	Plug	

# SECTION 4 - PLATFORM

## FIGURE 4-5. PLATFORM INSTALLATION - 29.5IN X 51IN (EXTENDABLE/NO TRAY/DROPBAR ENTRY)



ART\_1001280845

## SECTION 4 - PLATFORM

**FIGURE 4-5. PLATFORM INSTALLATION - 29.5IN X 51IN (EXTENDABLE/NO TRAY/DROPBAR ENTRY)**

ITEM	PART NUMBER	QTY	DESCRIPTION	REV
	1001280845	Ref	PLATFORM INSTALLATION - 29.5IN x 51IN (EXTENDABLE/NO TRAY/DROPBAR ENTRY)	B
1	3820012	4	Rivet	
2	5250611	1	Bolt M6 x 22	
3	3290605	1	Nut, Lock M6	
4	See Note	NSS	Nameplate - SN (Note: Not Available for Purchase)	
5	1001271823	1	Plate, Platform Catch	
6	1001280841	1	Platform Assembly (See Items 101-125 for Serviced Components)	
7	4811700	1	Washer M6	
	1001280841	Ref	PLATFORM ASSEMBLY	C
101	0100011	AR	Compound, Locking	
102	1001260837	2	Decal - Lanyard Attach	
103	1704366	1	Decal - Fall Hazard	
104	2080063	2	Locknut 1/4in-20NC	
105	3290606	5	Nut M6	
106	4010616	2	Screw M6 x 40	
107	4010618	2	Screw M6 x 50	
108	4420051	4 ft /1.3m	Tape, Safety	
109	4420062	0.98 ft /0.3m	Tape	
110	4711500	4	Washer 5/16	
111	5250810	11	Bolt M8 x 20	
112	5260800	7	Nut M8	
113	1001099638	3	Tape, Non-Skid	
114		Ref	Platform (Note: Not Available - Purchase Complete Assembly)	
115	1001268481	2	Tube, Platform	
116	1001268487	1	Plate, Extension Lock Weldment	
117	1001268494	1	Plate, Extension Lock Weldment	
118	1001276940	2	Channel	
119	1001280547	2	Decal - Extension	
120	1001280840	1	Extension Assembly (See Items 201-225 for Serviced Components)	
121	1001281080	1	Support, Platform Roller	
122	1001281081	1	Support, Platform Roller	
123	1001282031	2	Bolt 1/4 x 1	
124	4010612002	1	Screw M6 x 25	
125	1001289771	2	Decal - Extension	
	1001280840	Ref	EXTENSION ASSEMBLY	C
201	0641406	1	Bolt 1/4 x 3/4	
202	1560010	13.5 in /34cm	Conduit	
203	1706493	1	Decal - Drop Bar	
204	2080040	4	Fastener	
205	2080063	2	Nut 1/4	
206	3290606	2	Nut M6	
207	3430814	2	Pin	
208	3430816	2	Pin	
209	3450403	4	Pin, Cotter 1/8 x 3/4	
210	3520028	4	Plug	
211	3520072	4	Plug	

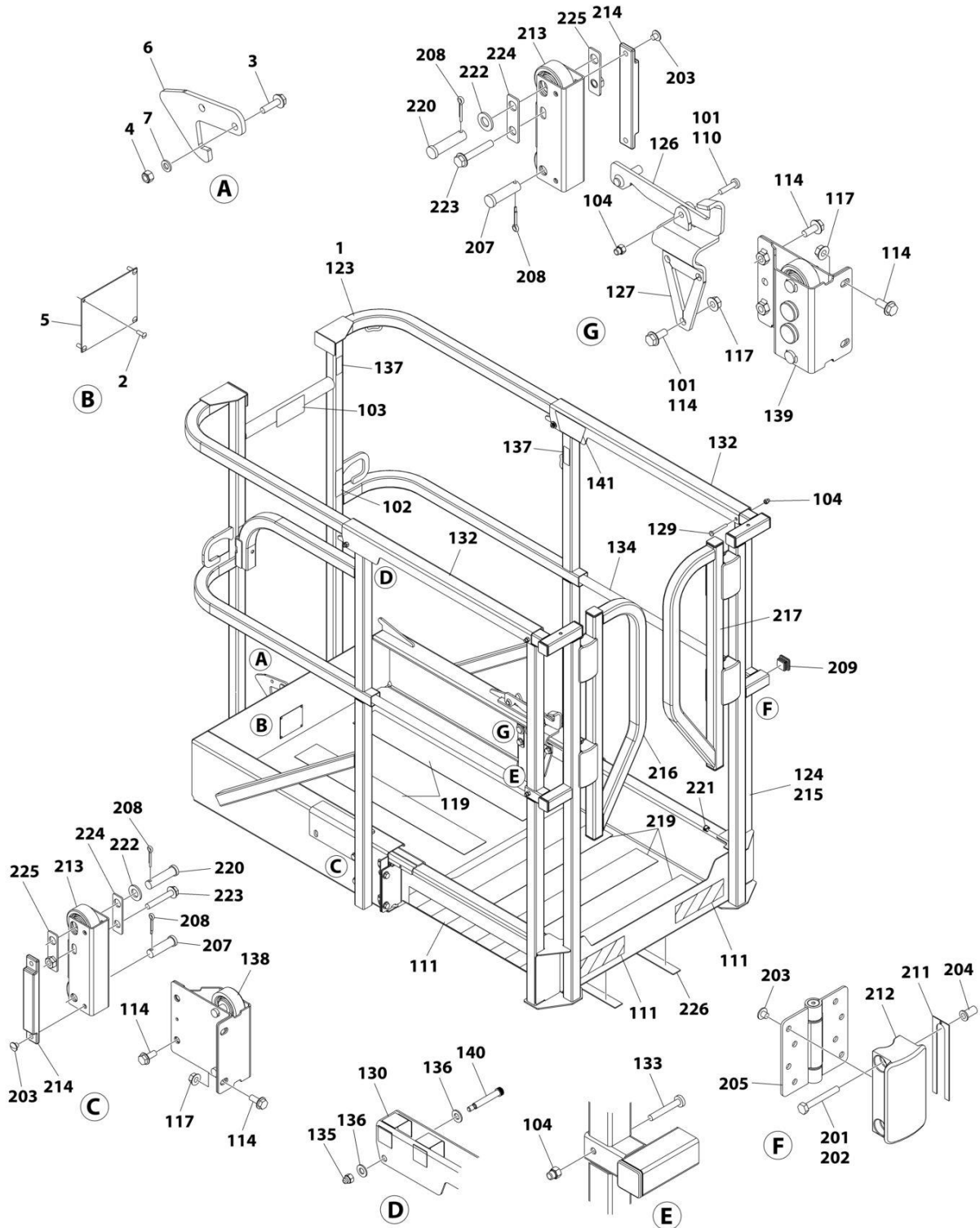
## SECTION 4 - PLATFORM

ITEM	PART NUMBER	QTY	DESCRIPTION	REV
212	3841692	2	Rod, Gate Ring	
213	4010616	2	Screw M6 x 40	
214	4751400	4	Washer 1/4	
215	4812100	2	Washer M12	
216	5250818	2	Bolt M8 x 50	
217	1001205422	4	Roller, Front Extension	
218	1001208852	2	Pad, Rear Extension	
219		Ref	Extension (Note: Not Available - Purchase Complete Assembly)	
220	1001269372	3	Tape, Safety	
221	1001280835	1	Tube, Platform Gate	
222	1001280836	1	Tube, Platform Rail	
223	1001281201	2	Plate, Roller	
224	1001281202	2	Plate, Roller	
225	1001281651	3.41 ft /1.04m	Tape	



# SECTION 4 - PLATFORM

## FIGURE 4-6. PLATFORM INSTALLATION - 29.5IN X 51IN (EXTENDABLE/NO TRAY/SALOON DOOR ENTRY)



ART\_1001268484

## SECTION 4 - PLATFORM

**FIGURE 4-6. PLATFORM INSTALLATION - 29.5IN X 51IN (EXTENDABLE/NO TRAY/SALOON DOOR ENTRY)**

ITEM	PART NUMBER	QTY	DESCRIPTION	REV
	1001268484	Ref	PLATFORM INSTALLATION - 29.5IN x 51IN (EXTENDABLE/NO TRAY/SALOON DOOR ENTRY)	C
1	1001268483	1	Platform Assembly (See Items 101-141 for Serviced Components)	
2	3820012	4	Rivet	
3	5250611	1	Bolt M6 x 22	
4	3290605	1	Nut, Lock M6	
5	See Note	NSS	Nameplate - SN (Note: Not Available for Purchase)	
6	1001271823	1	Plate, Platform Catch	
7	4811700	1	Washer M6	
	1001268483	Ref	PLATFORM ASSEMBLY	J
101	0100011	AR	Compound, Locking	
102	1001260837	2	Decal - Lanyard Attach	
103	1704366	1	Decal - Fall Hazard	
104	3290606	5	Nut M6	
110	4010612002	1	Screw, M6X25	
111	4420051	4.6 ft /1.4m	Tape, Safety	
114	5250810	11	Bolt M8 x 20	
117	4711800	4	Washer 1/2	
119	1001099638	3	Tape, Non-Skid	
123		Ref	Platform (Note: Not Available - Purchase Complete Assembly)	
124	1001268482	1	Extension Assembly (See Items 201-226 for Serviced Components)	
126	1001268487	1	Plate, Extension Lock Weldment	
127	1001268494	1	Plate, Extension Lock Weldment	
129	4010618	2	Screw M6 x 50	
130	4420062	0.49 ft /0.15m	Tape	
132	1001276940	2	Channel	
133	4010616	2	Screw M6 x 40	
134	1001268481	2	Tube, Platform	
135	2080063	2	Nut 1/4	
136	4711500	4	Washer 5/16	
137	1001280547	2	Decal - Tool Lanyard	
138	1001281080	1	Support, Platform Roller	
139	1001281081	1	Support, Platform Roller	
140	1001282031	2	Bolt 1/4 x 1	
141	1001289771	2	Decal - Extension	
	1001268482	Ref	EXTENSION ASSEMBLY	I
201	0100011	AR	Compound, Locking	
202	0641416	8	Bolt 1/4 x 2	
203	2080040	20	Fastener	
204	2080043	8	Rivet	
205	2600294	4	Hinge	
205	2600281	4	Hinge	
207	3430814	2	Pin, Clevis	
208	3450403	4	Pin, Cotter	
209	3520072	10	Plug	
211	4071095	4	Shim	
212	4220309	4	Stop, Swing Gate	

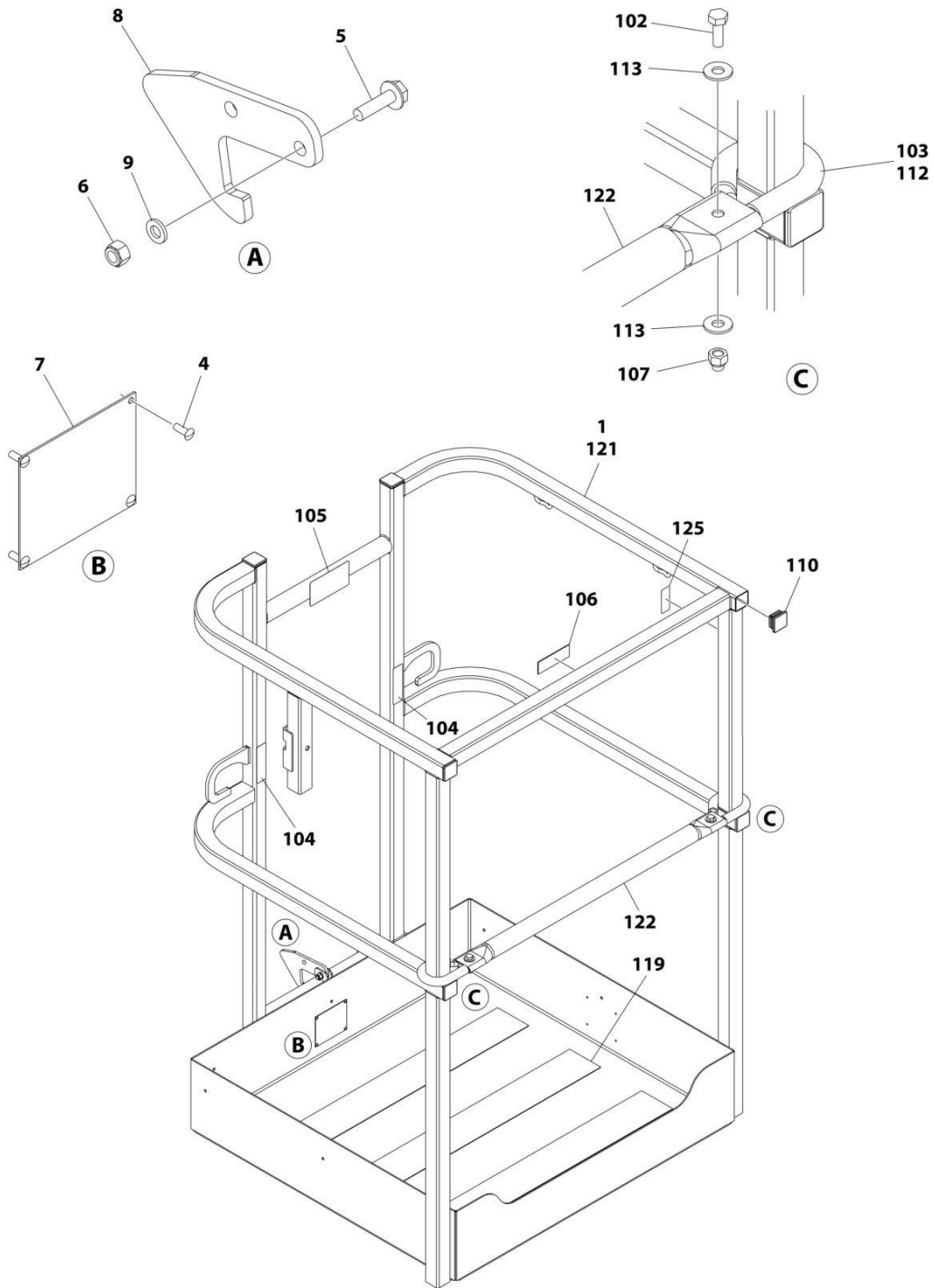
## SECTION 4 - PLATFORM

ITEM	PART NUMBER	QTY	DESCRIPTION	REV
213	1001205422	4	Roller, Front Extension	
214	1001208852	2	Pad, Rear Extension	
215		Ref	Extension (Note: Not Available - Purchase Complete Assembly)	
216	1001268478	1	Gate, Saloon (RH)	
217	1001268479	1	Gate, Saloon (LH)	
219	1001269372	3	Tape, Safety	
220	3430816	2	Pin	
221	3520028	2	Plug	
222	4812100	2	Washer M12	
223	5250818	2	Bolt M8 x 50	
224	1001281201	2	Plate, Roller	
225	1001281202	2	Plate, Roller	
226	1001281651	3.51 ft /1.07m	Tape	



# SECTION 4 - PLATFORM

FIGURE 4-7. PLATFORM INSTALLATION - 29.6IN X 26IN (NON - EXTENDABLE/NO TRAY/DROPBAR ENTRY)



ART\_1001268897

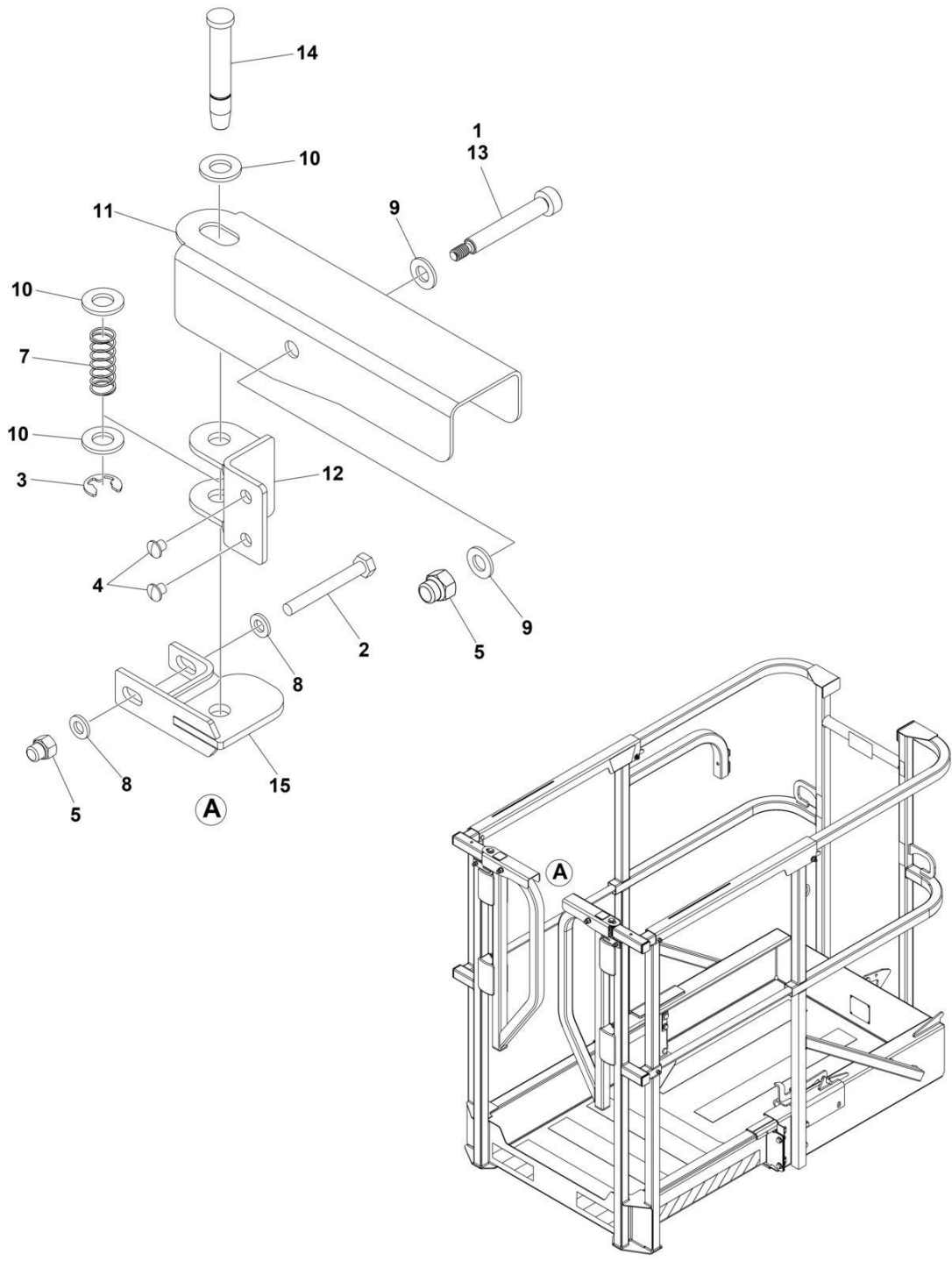
## SECTION 4 - PLATFORM

**FIGURE 4-7. PLATFORM INSTALLATION - 29.6IN X 26IN (NON - EXTENDABLE/NO TRAY/DROPBAR ENTRY)**

ITEM	PART NUMBER	QTY	DESCRIPTION	REV
	1001268897	Ref	PLATFORM INSTALLATION - 29.6IN x 26IN (NON - EXTENDABLE/NO TRAY/DROPBAR ENTRY)	D
1	1001268896	1	Platform Assembly (See Items 102-125 for Serviced Components)	
4	3820012	4	Rivet	
5	5250611	1	Bolt M6 x 22	
6	3290605	1	Nut, Lock M6	
7	See Note	NSS	Nameplate - SN (Note: Not Available for Purchase)	
8	1001271823	1	Plate, Platform Catch	
9	4811700	1	Washer M6	
	1001268896	Ref	PLATFORM ASSEMBLY	D
102	0641406	2	Bolt 1/4 x 3/4	
103	1560010	14 in /36cm	Conduit	
104	1001260837	2	Decal - Lanyard	
105	1704366	1	Decal - Fall Hazard	
106	1706493	1	Decal - Drop Bar	
107	2080063	2	Nut 1/4	
110	3520072	6	Plug	
112	3841692	2	Rod, Gate Ring	
113	4751400	4	Washer 1/4	
119	1001099638	3	Tape, Non-Skid	
121		Ref	Platform (Note: Not Available - Purchase Complete Assembly)	
122	1001268898	1	Tube, Platform Gate	
125	1001280547	1	Decal - Tool Lanyard	

# SECTION 4 - PLATFORM

## FIGURE 4-8. GATE LATCH INSTALLATION



ART\_1001296124

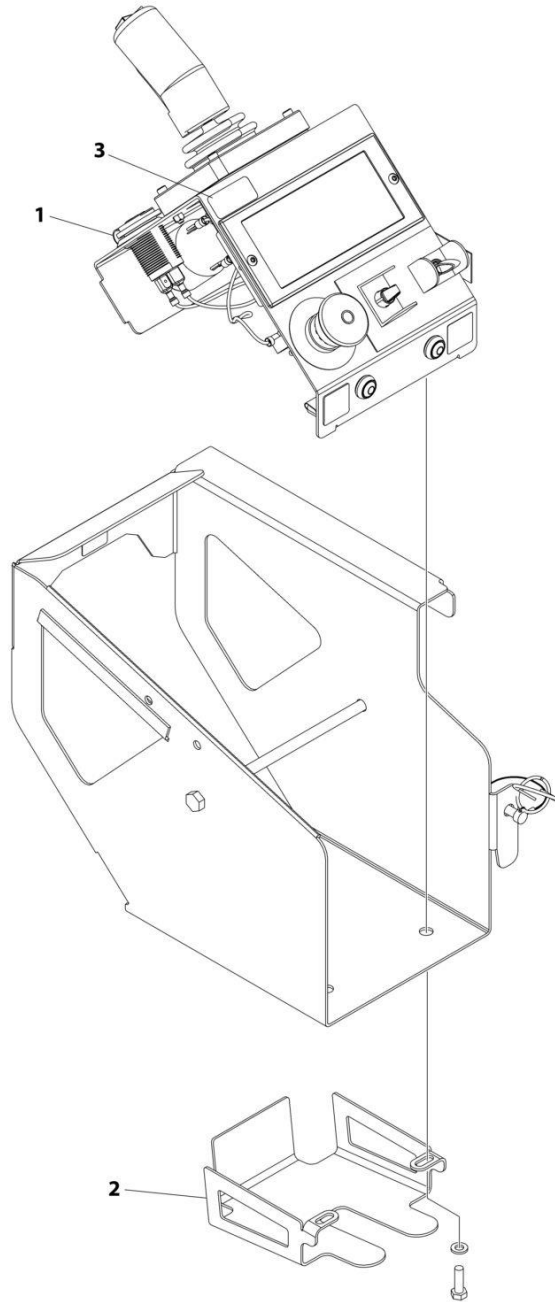
## SECTION 4 - PLATFORM

**FIGURE 4-8. GATE LATCH INSTALLATION**

ITEM	PART NUMBER	QTY	DESCRIPTION	REV
	1001296124	Ref	GATE LATCH INSTALLATION	C
1	0100011	AR	Compound, Locking	
2	0700618	2	Bolt M6 x 50	
3	1380153	2	Clip	
4	2080040	4	Fastener	
5	3290606	4	Nut M6	
7	4160214	2	Spring	
8	4811700	4	Washer M6	
9	4811900	4	Washer M8	
10	4812000	6	Washer M10	
11	1001293274	2	Handle	
12	1001293275	2	Bracket	
13	1001293281	2	Capscrew, Shoulder	
14	1001296522	2	Pin	
15	1001296725	2	Bracket	

# SECTION 4 - PLATFORM

## FIGURE 4-9. USB/PHONE CRADLE INSTALLATION



ART\_1001262150

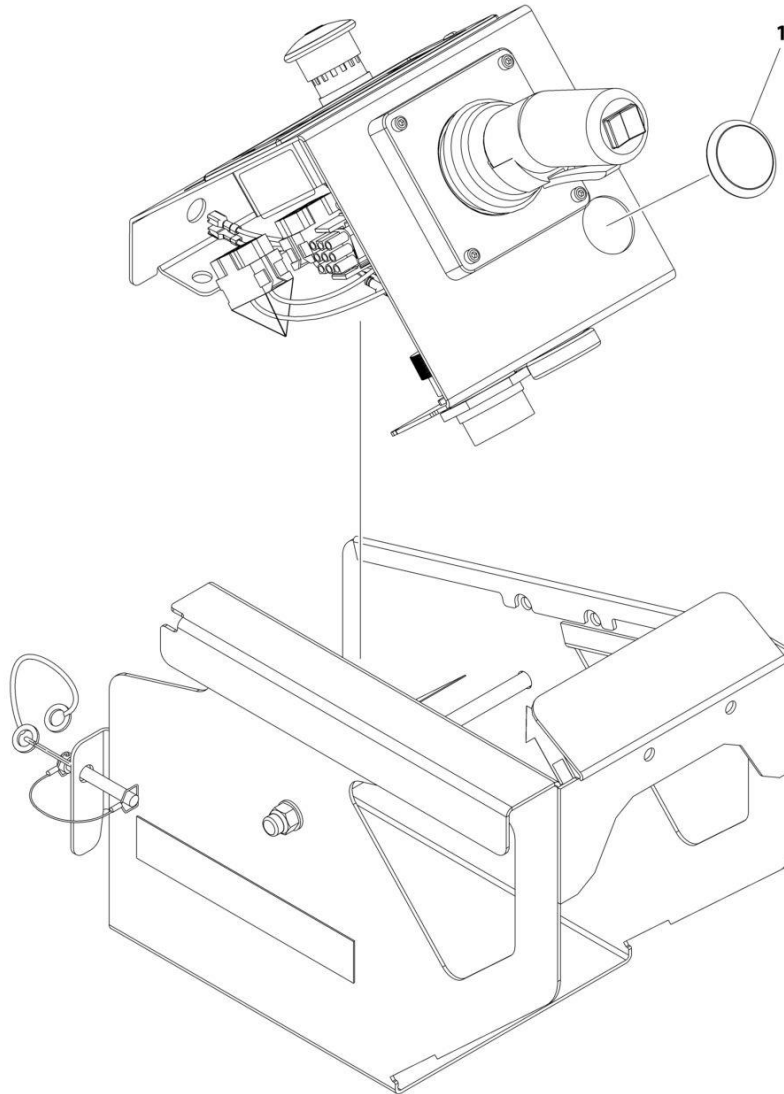
## SECTION 4 - PLATFORM

### FIGURE 4-9. USB/PHONE CRADLE INSTALLATION

ITEM	PART NUMBER	QTY	DESCRIPTION	REV
	1001262150	Ref	USB/PHONE CRADLE INSTALLATION	B
1	1001253800	1	Terminal, USB Receptacle	
2	1001261131	1	Bracket, Phone	
3	1001274168	1	Decal, USB Charge	

# SECTION 4 - PLATFORM

## FIGURE 4-10. PLUG (NO USB) INSTALLATION



ART\_1001274661

## SECTION 4 - PLATFORM

**FIGURE 4-10. PLUG (NO USB) INSTALLATION**

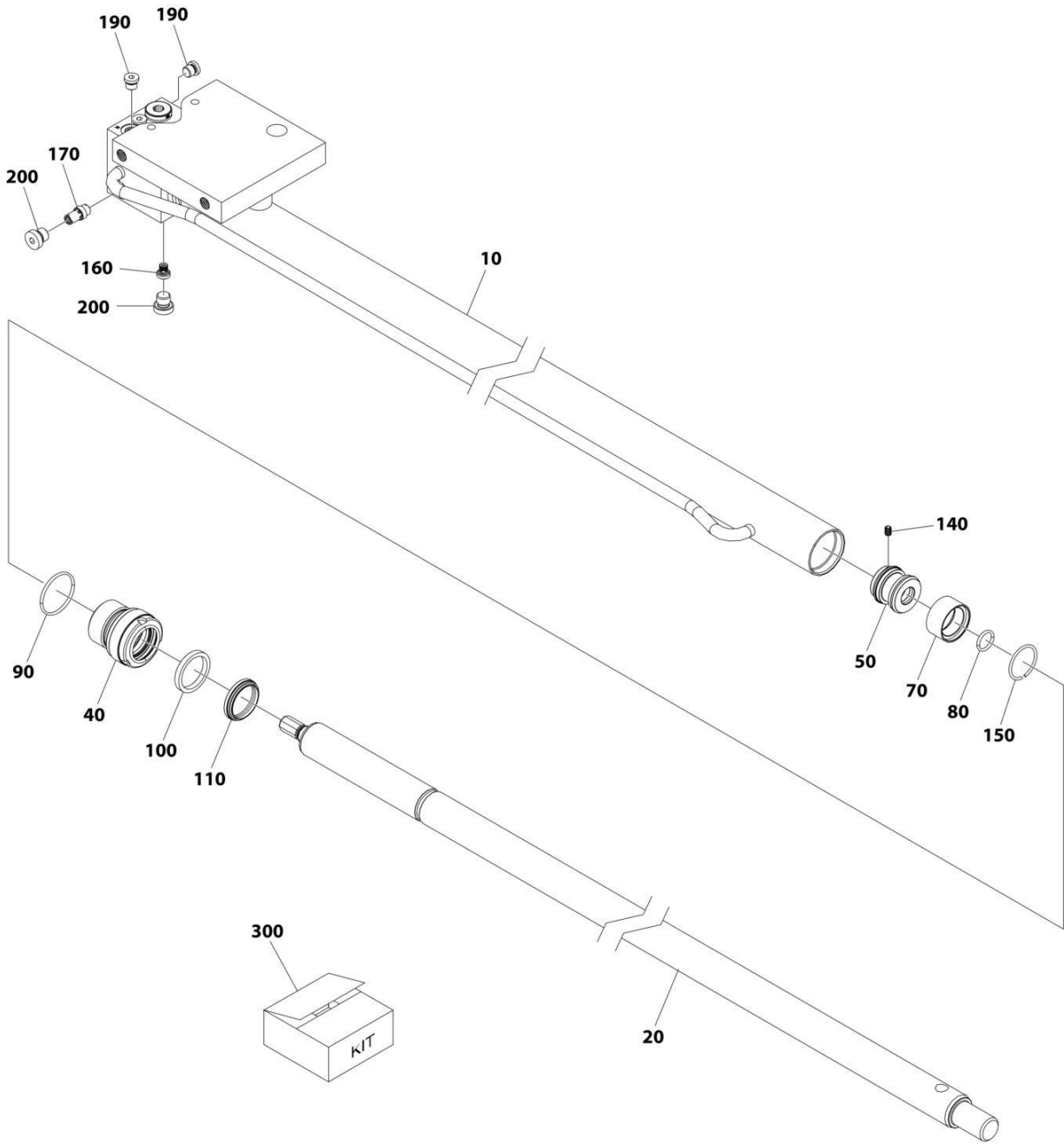
ITEM	PART NUMBER	QTY	DESCRIPTION	REV
1	1001274661 1001262221	Ref 1	PLATFORM CONTROL PLUG INSTALLATION Plug	A



**SECTION 5 - CYLINDER**

# SECTION 5 - CYLINDER

## FIGURE 5-1. LIFT CYLINDER ASSEMBLY



ART\_1001267886

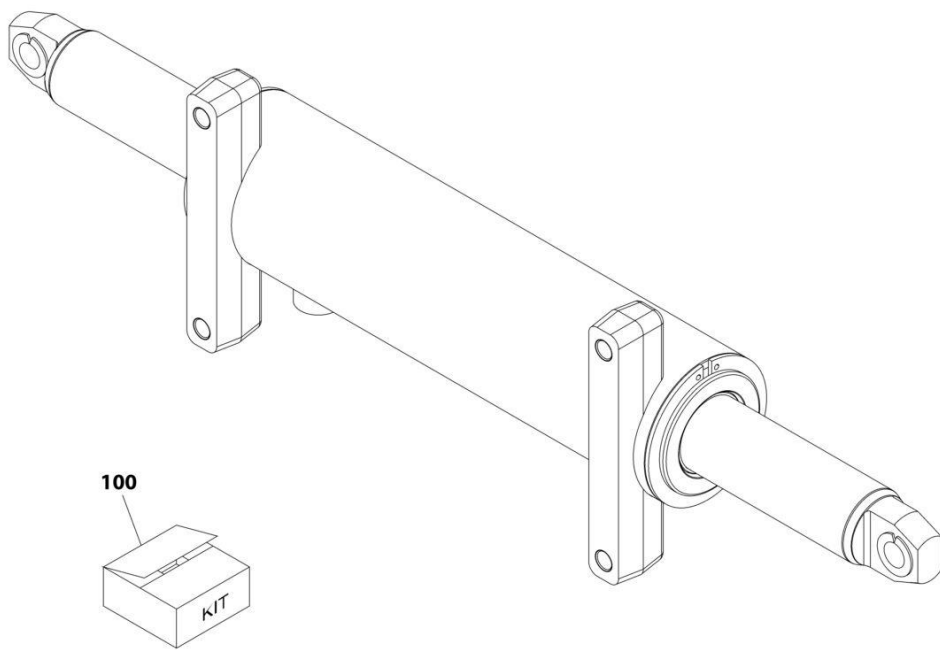
## SECTION 5 - CYLINDER

**FIGURE 5-1. LIFT CYLINDER ASSEMBLY**

ITEM	PART NUMBER	QTY	DESCRIPTION	REV
	1001267886	Ref	CYLINDER ASSEMBLY - LIFT  Note: Original Cylinder May Have Been Replaced with Service Replacement. Identify PN Stamped on Cylinder Before Ordering Parts.	E
		Ref		
10	See Note	NSS	Barrel (Note: Use PN 1001267886)	
20	See Note	NSS	Rod (Note: Use PN 1001267886)	
40	70007951	1	Head	
50	70007952	1	Piston	
70	See Note	NSS	Seal, Piston (Note: Use Item 300)	
80	See Note	NSS	Ring (Note: Use Item 300)	
90	See Note	NSS	O-Ring (Note: Use Item 300)	
100	See Note	NSS	Seal, Head (Note: Use Item 300)	
110	See Note	NSS	Wiper (Note: Use Item 300)	
140	70007953	1	Setscrew M6 x 10	
150	70007954	1	Ring, Wire	
160	70007955	1	Valve, Cartridge (Flow Control/Check)	
170	70007956	1	Valve, Cartridge (Flow Control/Check)	
190	70025961	2	Plug	
200	70024262	2	Plug	
300	70007528	1	Seal Kit (Includes Items 70, 80, 90, 100 & 110)	

## SECTION 5 - CYLINDER

FIGURE 5-2. STEER CYLINDER ASSEMBLY (WITH HYDRAULIC STEERING)



ART\_1001269703

## SECTION 5 - CYLINDER

**FIGURE 5-2. STEER CYLINDER ASSEMBLY (WITH HYDRAULIC STEERING)**

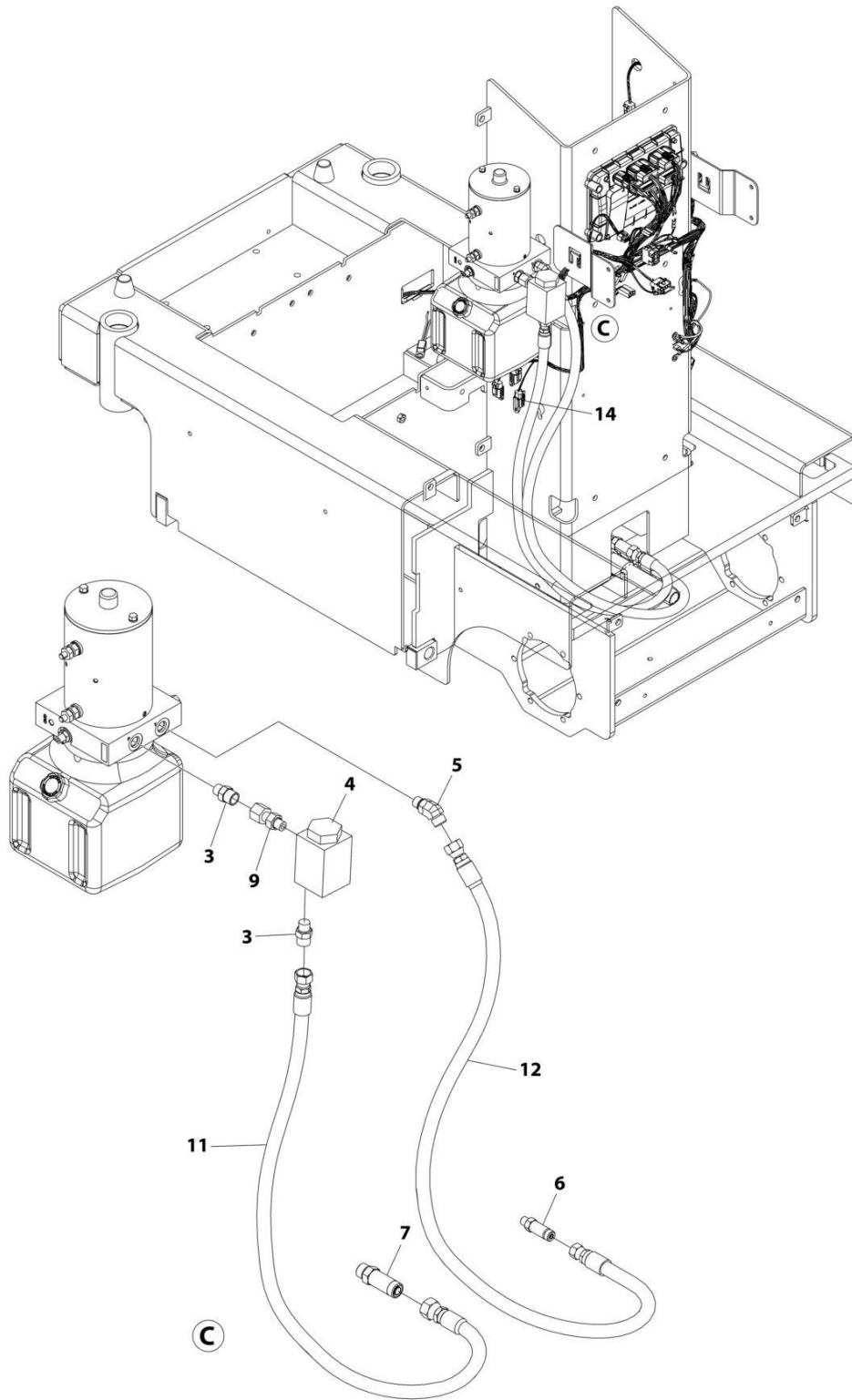
ITEM	PART NUMBER	QTY	DESCRIPTION	REV
	1001269703	Ref	STEER CYLINDER ASSEMBLY	E
		Ref	Note: Original Cylinder May Have Been Replaced with Service Replacement. Identify PN Stamped on Cylinder Before Ordering Parts.	
		Ref	Note: No Other Service Parts Available.	
100	70007529	1	Seal Kit - 1001269703 Cylinder	



**SECTION 6 - HYDRAULIC**

# SECTION 6 - HYDRAULIC

## FIGURE 6-1. HYDRAULIC COMPONENTS INSTALLATION (WITH CASTER STEER)



ART\_1001269697\_20F2

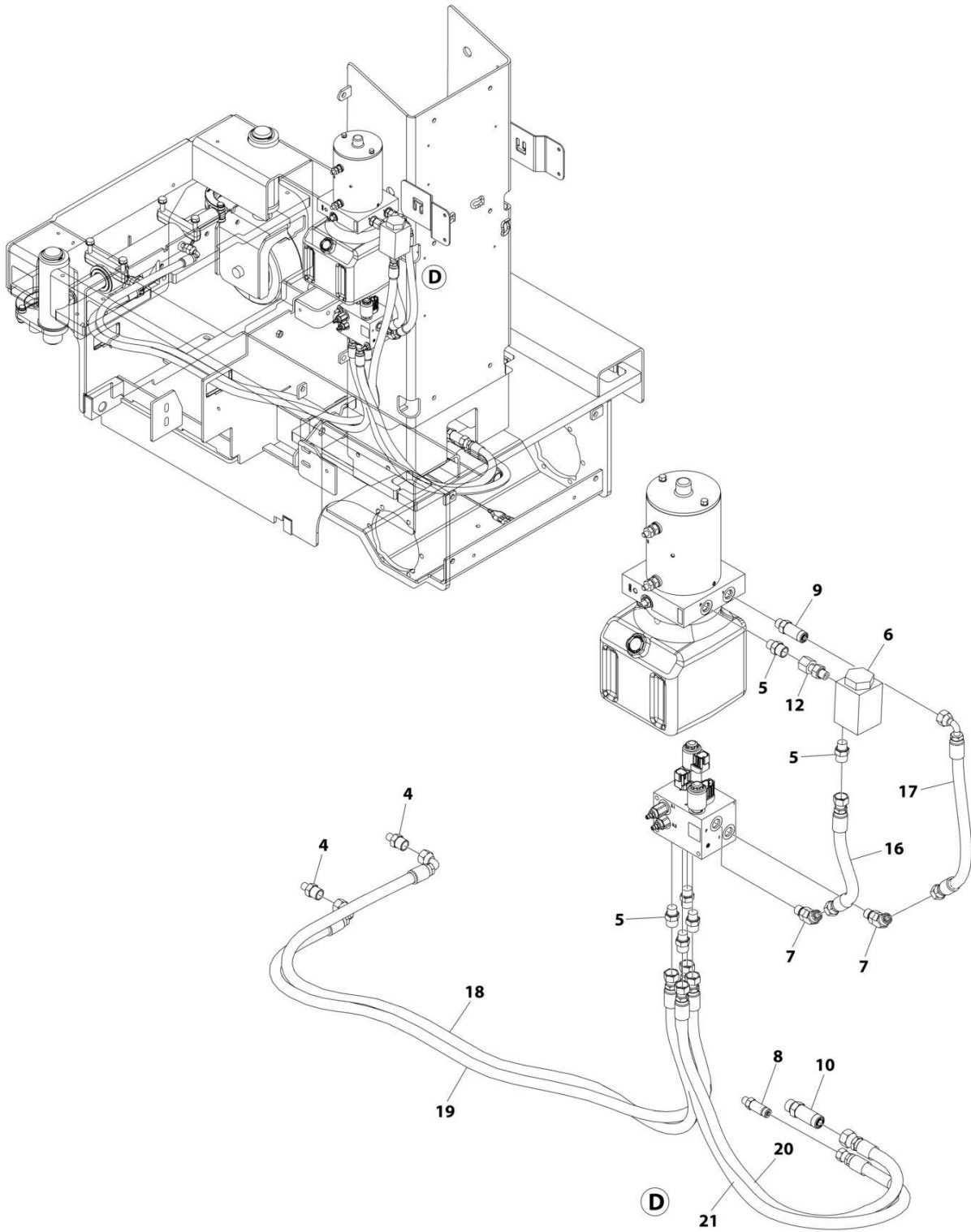
## SECTION 6 - HYDRAULIC

**FIGURE 6-1. HYDRAULIC COMPONENTS INSTALLATION (WITH CASTER STEER)**

ITEM	PART NUMBER	QTY	DESCRIPTION	REV
	1001269697	Ref	HYDRAULIC DIAGRAM (WITH CASTER STEER)	D
3	2110606	2	Fitting, Straight	
4	2120183	1	Filter, In-Line	
5	2150606	1	Fitting, 45	
6	2170104	1	Fitting, Straight	
7	2170108	1	Connector	
9	2221123	1	Fitting, Straight	
11	1001269243	1	Hose	
12	1001269244	1	Hose	
14	1001144295	3	Cap, Connector	

# SECTION 6 - HYDRAULIC

## FIGURE 6-2. HYDRAULIC COMPONENTS INSTALLATION (WITH HYDRAULIC STEER)



ART\_1001269696\_2OF2

## SECTION 6 - HYDRAULIC

**FIGURE 6-2. HYDRAULIC COMPONENTS INSTALLATION (WITH HYDRAULIC STEER)**

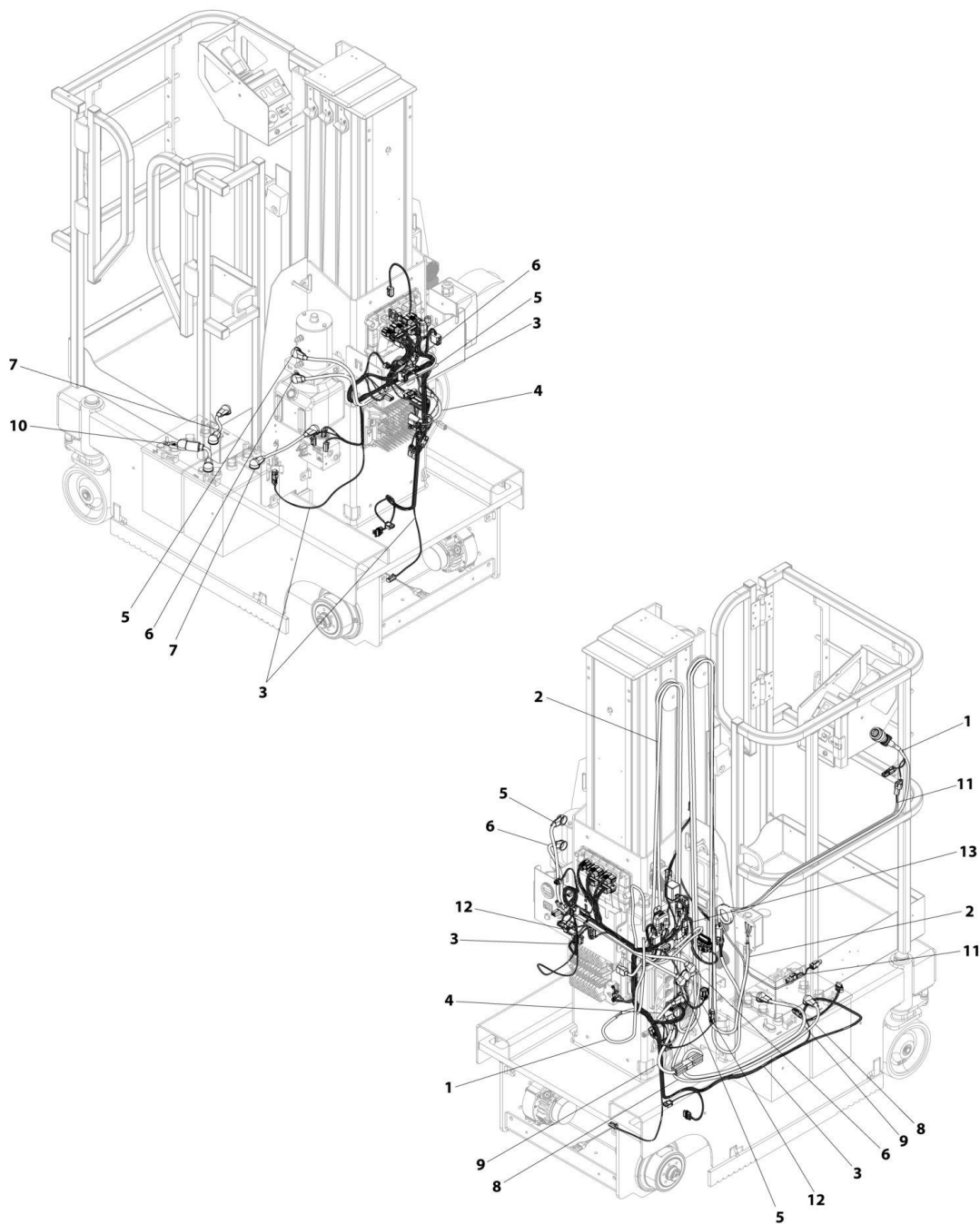
ITEM	PART NUMBER	QTY	DESCRIPTION	REV
	1001269696	Ref	HYDRAULIC DIAGRAM (WITH HYDRAULIC STEER)	D
4	2110604	2	Fitting, Straight	
5	2110606	6	Fitting, Straight	
6	2120183	1	Filter, In-Line	
7	2150606	2	Fitting, 45	
8	2170104	1	Fitting, Straight	
9	2170106	1	Fitting, Straight	
10	2170108	1	Connector	
12	2221123	1	Fitting, Straight	
16	1001269237	1	Hose	
17	1001269238	1	Hose	
18	1001269239	1	Hose	
19	1001269240	1	Hose	
20	1001269241	1	Hose	
21	1001269242	1	Hose	



**SECTION 7 - ELECTRICAL**

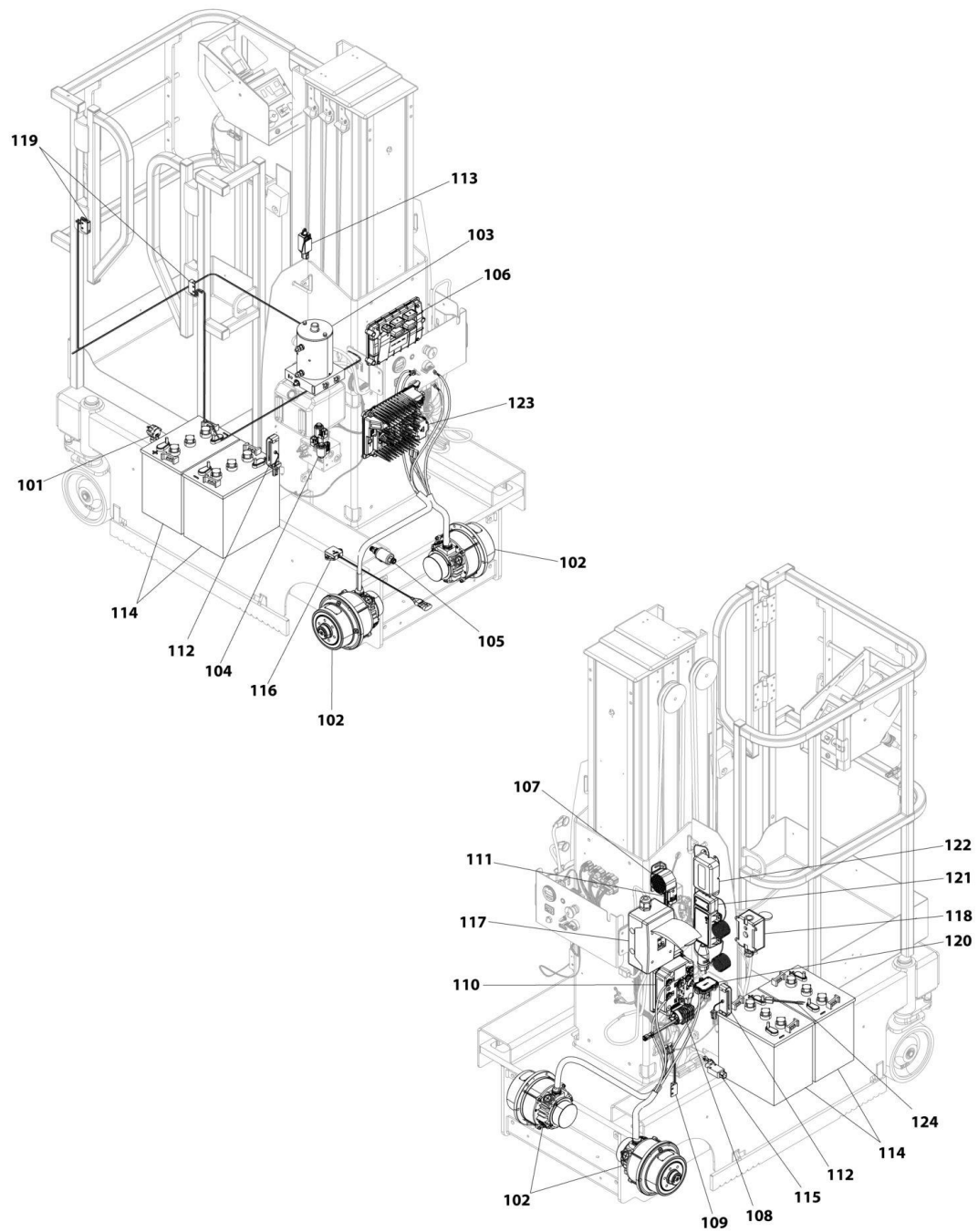
# SECTION 7 - ELECTRICAL

## FIGURE 7-1. ELECTRICAL LAYOUT



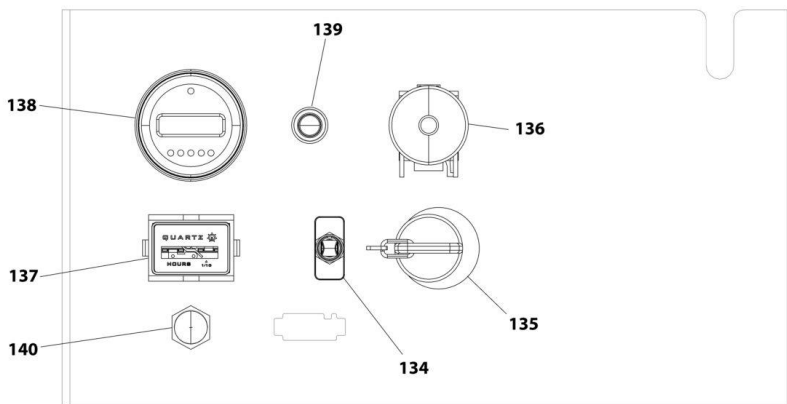
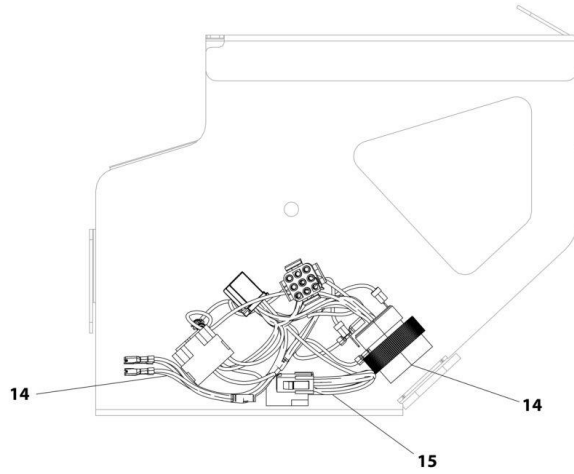
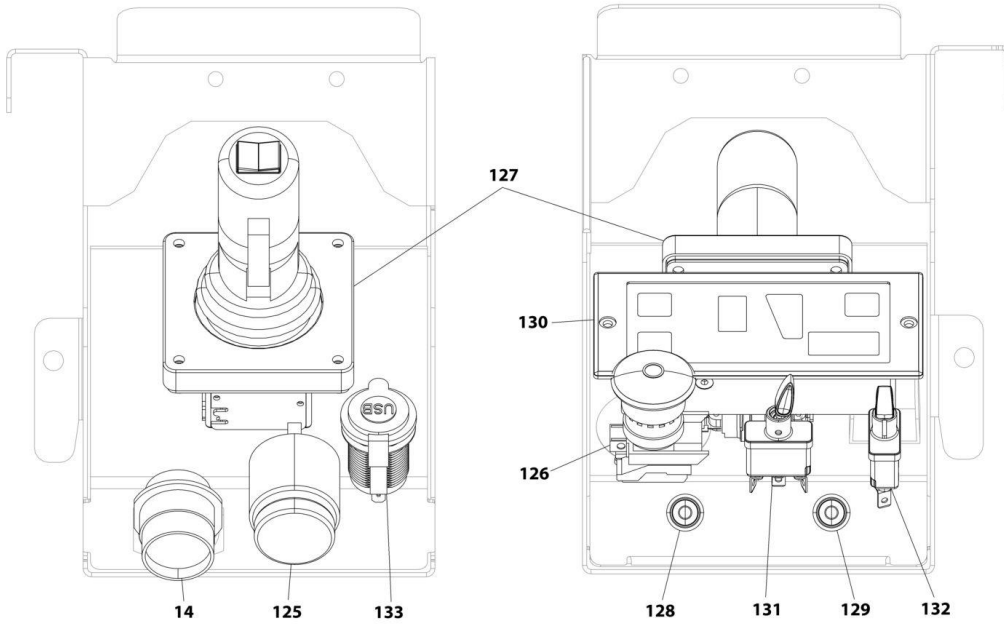
ART\_E18-ELECTRICAL\_HARNESS

# SECTION 7 - ELECTRICAL



ART\_E18-ELECTRICAL\_COMPONENT

# SECTION 7 - ELECTRICAL



ART\_E18-ELECTRICAL\_CONTROLS

## SECTION 7 - ELECTRICAL

### FIGURE 7-1. ELECTRICAL LAYOUT

ITEM	PART NUMBER	QTY	DESCRIPTION	REV
		Ref	Note: This figure is for part location identification only.	
		Ref	HARNESS LIST	
1		Ref	Harness, Platform Control Box	
2		Ref	Cable, AC Ground to Platform	
3		Ref	Harness, Chassis	
4		Ref	Cable, Drive Module to Relay	
5		Ref	Cable, Drive Module to Pump (+)	
6		Ref	Cable, Drive Module to Pump (-)	
7		Ref	Cable, Battery Jumper	
8		Ref	Cable, Drive Module to Battery (-)	
9		Ref	Cable, Battery Disconnect to Relay	
10		Ref	Cable, Battery Jumper with Fuse	
11		Ref	Harness, Gate Alarm	
12		Ref	Harness, Mobile Control	
13		Ref	Harness, Clearsky	
14		Ref	Harness, Platform Control Box	
15		Ref	Harness, Joystick Jumper	
		Ref	COMPONENT LIST	
101		Ref	Sensor, Steer Angle	
102		Ref	Assembly, Drive Motor/Brake	
103		Ref	Motor, Drive Pump	
104		Ref	Solenoids, Main Control Valve	
105		Ref	Solenoid, Manual Descent Valve	
106		Ref	Module, Ground Control	
107		Ref	Alarm	
108		Ref	Relay	
109		Ref	Sensor, Mast Proximity	
110		Ref	Module, Drive	
111		Ref	Switch, Mast Limit	
112		Ref	Beacon	
113		Ref	Switch, LSS Limit	
114		Ref	Battery	
115		Ref	Switch, Pothole Protection Limit	
116		Ref	Sensor, Tilt	
117		Ref	AC Breaker Box	
118		Ref	AC Receptacle	
119		Ref	Sensor, Gate Alarm	
120		Ref	Module, Mobile Control	
121		Ref	Module, ClearSky Telematics CANBUS	
122		Ref	Antennae, ClearSky Telematics	
123		Ref	Charger	
124		Ref	Sensor, Temperature	
125		Ref	Alarm	
126		Ref	Switch, Emergency Stop	
127		Ref	Joystick	
128		Ref	Switch, Horn	
129		Ref	Switch, Indoor/Outdoor	
130		Ref	Display, Platform	
131		Ref	Switch, Lift/Drive Select	
132		Ref	Switch, Speed Select	

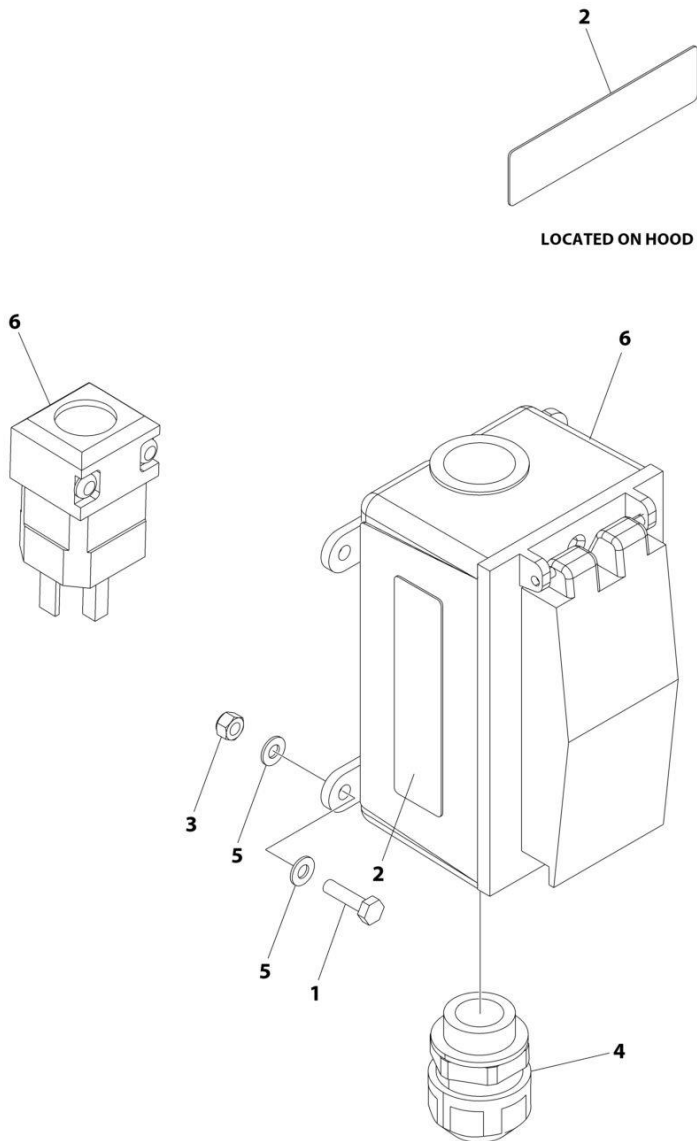
## SECTION 7 - ELECTRICAL

ITEM	PART NUMBER	QTY	DESCRIPTION	REV
133		Ref	USB Port	
134		Ref	Switch, Platform Lift/Lower	
135		Ref	Switch, Key	
136		Ref	Switch, Emergency Stop	
137		Ref	Gauge, Hourmeter	
138		Ref	Display, Ground	
139		Ref	Light, Load Sense Overload Indicator	
140		Ref	Switch, Brake Release	



**SECTION 7 - ELECTRICAL**

**FIGURE 7-2. AC BOX AT PLATFORM INSTALLATION - 110V GFI**



ART\_1001270761

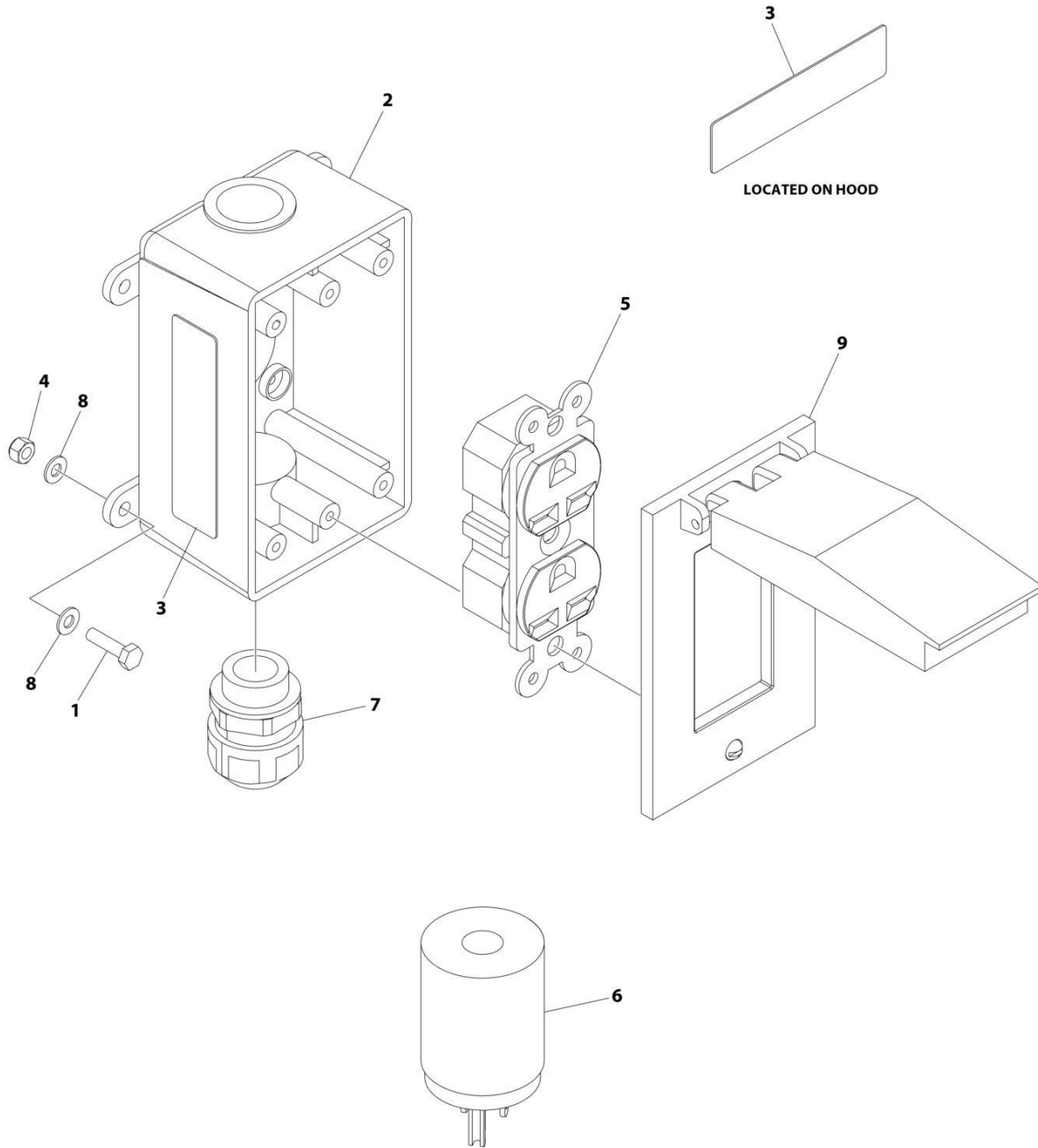
## SECTION 7 - ELECTRICAL

**FIGURE 7-2. AC BOX AT PLATFORM INSTALLATION - 110V GFI**

ITEM	PART NUMBER	QTY	DESCRIPTION	REV
	1001270761	Ref	AC BOX AT PLATFORM INSTALLATION - 110V GFI	D
1	0760408	4	Bolt M4 x 16	
2	3252761	2	Decal, 120V	
3	3290405	4	Nut M4	
4	4460662	1	Connector, Strain Relief	
5	4811400	8	Washer M4	
6	1001096767	1	Plug and Receptacle Box Kit (See Separate Breakdown in this Section)	
7	4240017	AR	Tie-Strap (Not Shown)	

# SECTION 7 - ELECTRICAL

## FIGURE 7-3. AC BOX AT PLATFORM INSTALLATION - 220V ANSI



ART\_1001270627

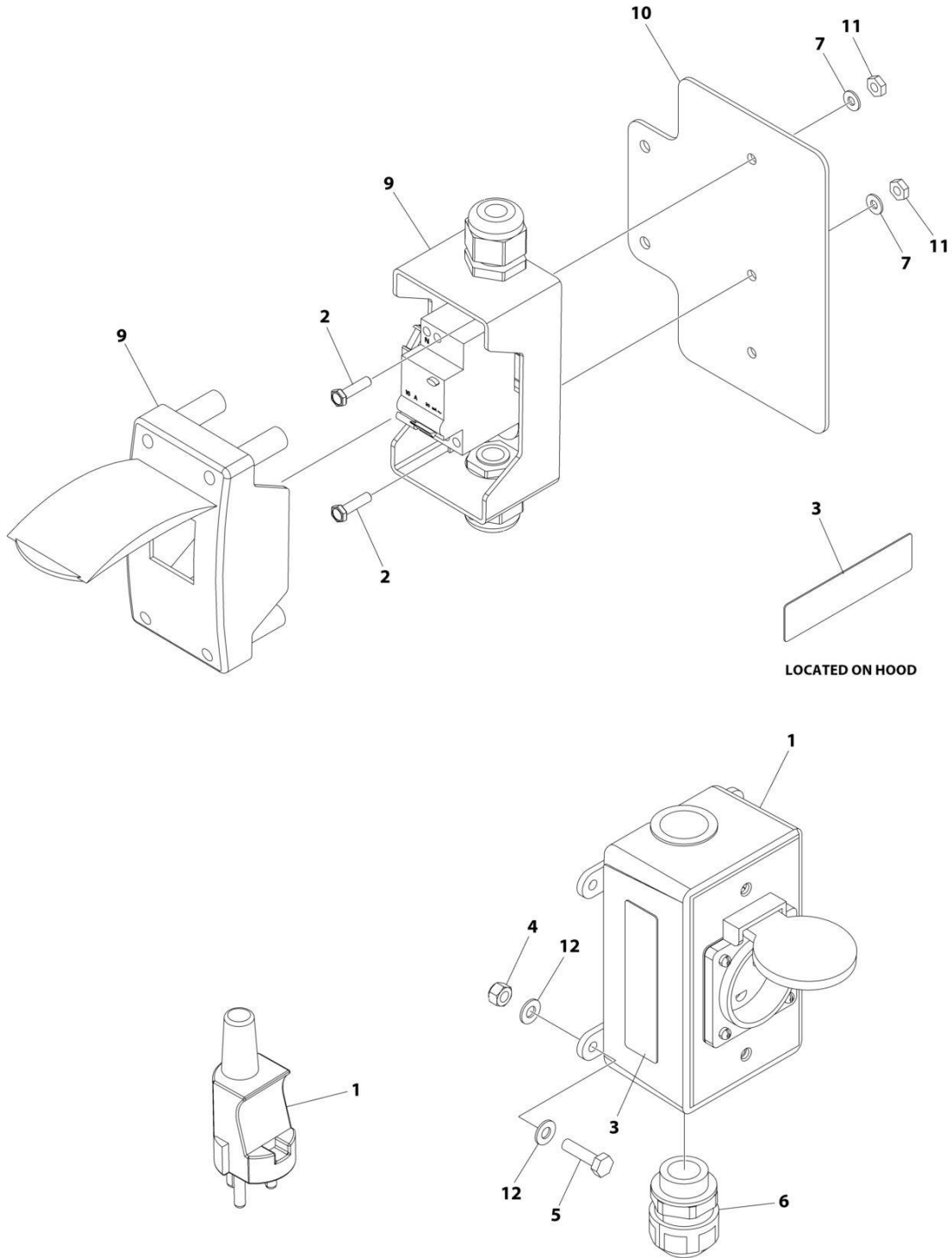
## SECTION 7 - ELECTRICAL

**FIGURE 7-3. AC BOX AT PLATFORM INSTALLATION - 220V ANSI**

ITEM	PART NUMBER	QTY	DESCRIPTION	REV
	1001270627	Ref	AC BOX AT PLATFORM INSTALLATION - 220V ANSI	D
1	0760408	4	Bolt M4 x 16	
2	0861731	1	Box, Receptacle	
3	3252760	2	Decal, 240V	
4	3290405	4	Nut M4	
5	4460125	1	Receptacle	
6	4460205	1	Plug, Male	
7	4460662	1	Connector, Strain Relief	
8	4811400	8	Washer M4	
9	1001110873	1	Cover, Receptacle	
10	4240017	AR	Tie-Strap (Not Shown)	

# SECTION 7 - ELECTRICAL

## FIGURE 7-4. AC BOX AT PLATFORM INSTALLATION - 220V CEE7 KEYED GROUND



ART\_1001270619

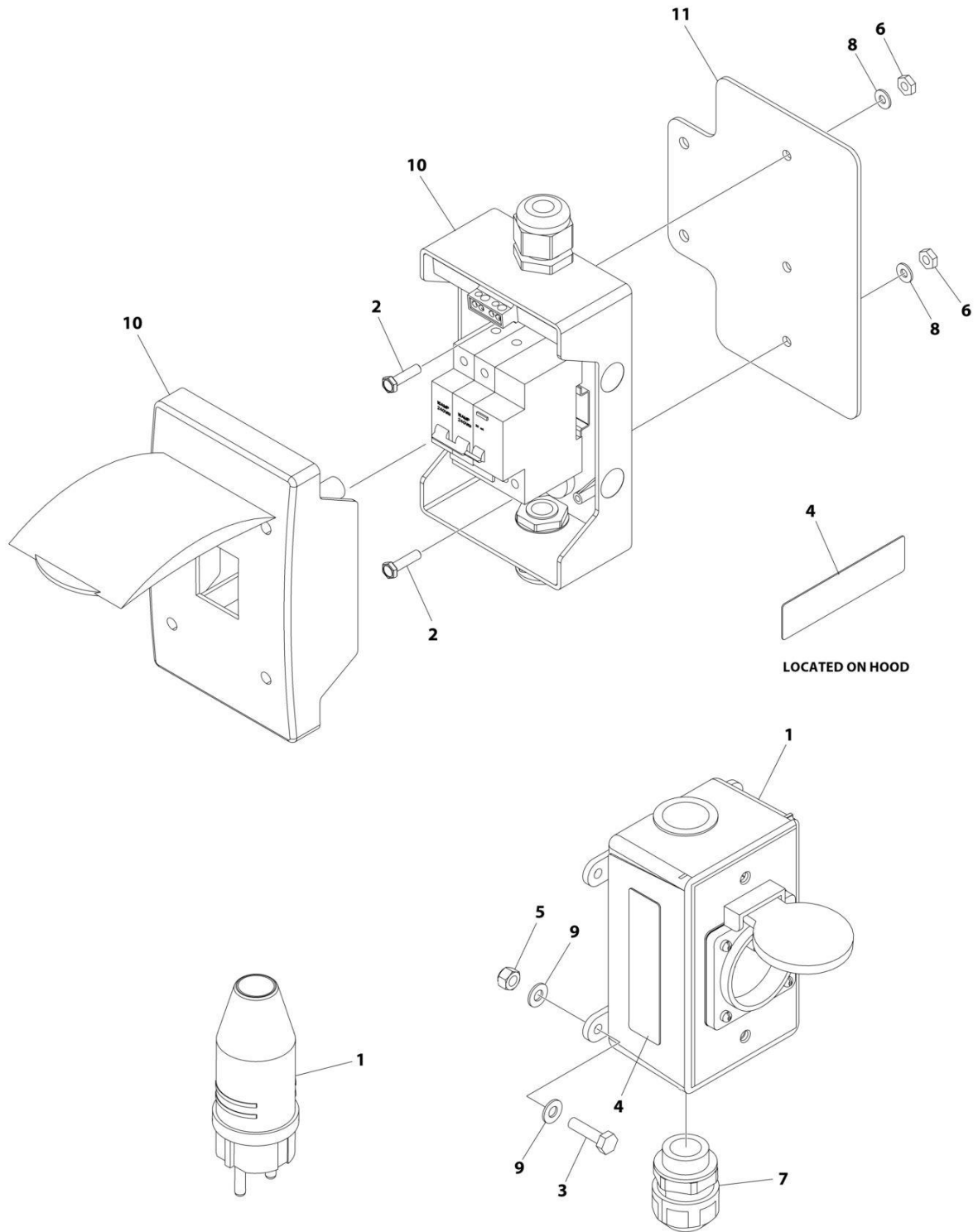
## SECTION 7 - ELECTRICAL

**FIGURE 7-4. AC BOX AT PLATFORM INSTALLATION - 220V CEE7 KEYED GROUND**

ITEM	PART NUMBER	QTY	DESCRIPTION	REV
	1001270619	Rev	AC BOX AT PLATFORM INSTALLATION - 220V CEE7 KEYED GROUND	F
1	0275454	1	Plug and Receptacle Box Kit (See Separate Breakdown in this Section)	
2	0721006	2	Bolt #10 x 3/4	
3	3252760	2	Decal, 240V	
4	3290405	4	Nut M4	
5	0760408	4	Bolt M4 x 16	
6	4460662	1	Connector, Strain Relief	
7	4711000	2	Washer #10	
9	1001096612	1	Breaker Box Assembly (See Separate Breakdown in this Section)	
10	1001276658	1	Breaker Plate	
11	3311005	2	Nut #10	
12	4811400	8	Washer M4	
13	4240017	AR	Tie-Strap (Not Shown)	

# SECTION 7 - ELECTRICAL

## FIGURE 7-5. AC BOX AT PLATFORM INSTALLATION - 220V CEE7 POST GROUND



ART\_1001270617

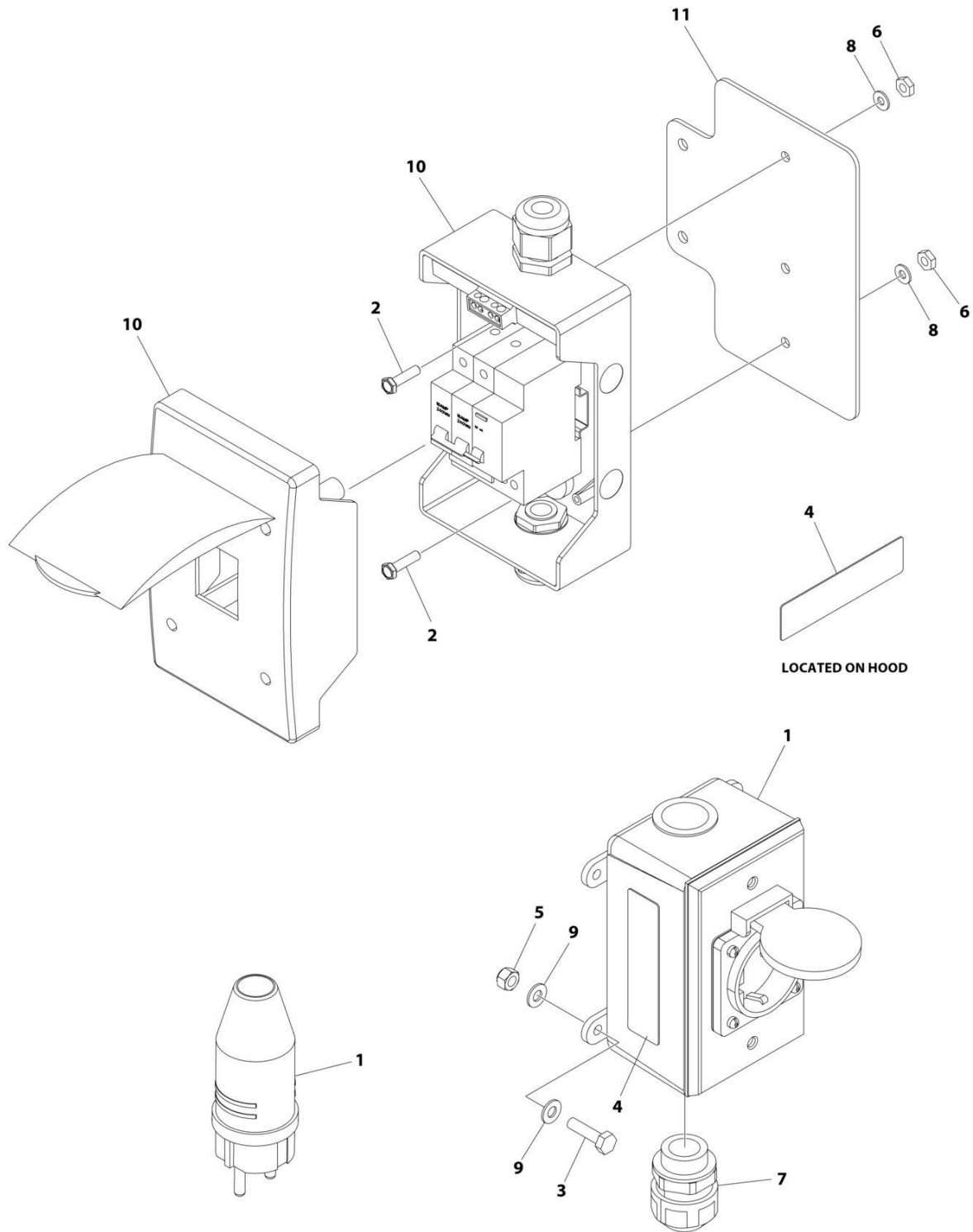
## SECTION 7 - ELECTRICAL

**FIGURE 7-5. AC BOX AT PLATFORM INSTALLATION - 220V CEE7 POST GROUND**

ITEM	PART NUMBER	QTY	DESCRIPTION	REV
	1001270617	Ref	AC BOX AT PLATFORM INSTALLATION - 220V CEE7 POST GROUND	F
1	0275452	1	Plug and Receptacle Box Kit (See Separate Breakdown in this Section)	
2	0721006	2	Bolt #10 x 3/4	
3	0760408	4	Bolt M4 x 16	
4	3252760	2	Decal, 240V	
5	3290405	4	Nut M4	
6	3311005	2	Nut #10	
7	4460662	1	Connector, Strain Relief	
8	4711000	2	Washer #10	
9	4811400	8	Washer M4	
10	1001152484	1	Breaker Box Assembly (See Separate Breakdown in this Section)	
11	1001276658	1	Breaker Plate	
12	4240017	AR	Tie-Strap (Not Shown)	

# SECTION 7 - ELECTRICAL

## FIGURE 7-6. AC BOX AT PLATFORM INSTALLATION - 220V CEE7 SIDE GROUND



ART\_1001270618

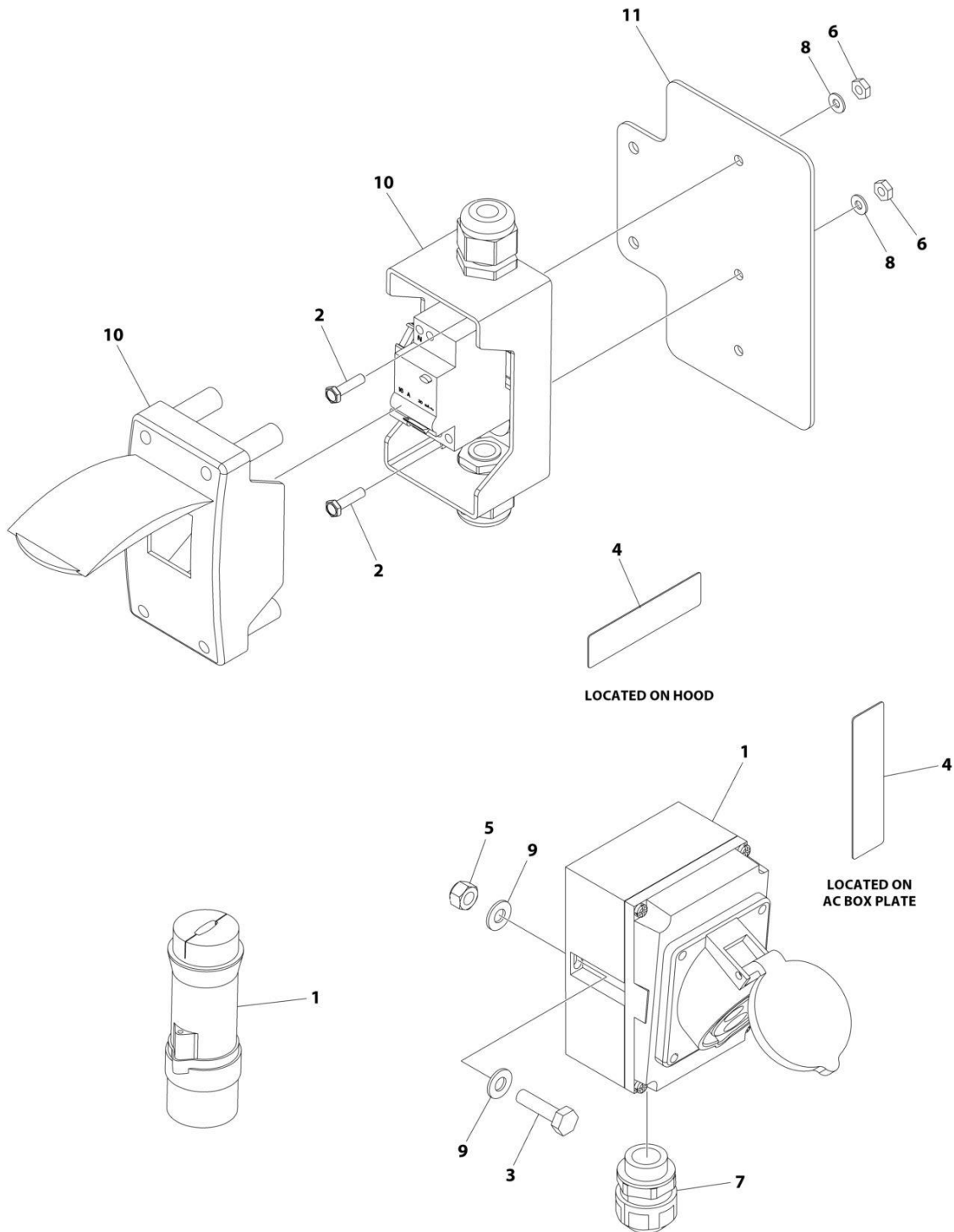
## SECTION 7 - ELECTRICAL

**FIGURE 7-6. AC BOX AT PLATFORM INSTALLATION - 220V CEE7 SIDE GROUND**

ITEM	PART NUMBER	QTY	DESCRIPTION	REV
	1001270618	Ref	AC BOX AT PLATFORM INSTALLATION - 220V CEE7 SIDE GROUND	F
1	0275453	1	Plug and Receptacle Box Kit (See Separate Breakdown in this Section)	
2	0721006	2	Bolt #10 x 3/4	
3	0760408	4	Bolt M4 x 16	
4	3252760	2	Decal, 240V	
5	3290405	4	Nut M4	
6	3311005	2	Nut #10	
7	4460662	1	Connector, Strain Relief	
8	4711000	2	Washer #10	
9	4811400	8	Washer M4	
10	1001152484	1	Breaker Box Assembly (See Separate Breakdown in this Section)	
11	1001276658	1	Breaker Plate	
12	4240017	AR	Tie-Strap (Not Shown)	

# SECTION 7 - ELECTRICAL

## FIGURE 7-7. AC BOX AT PLATFORM INSTALLATION - 220V IEC BLUE GROUND



ART\_1001270620

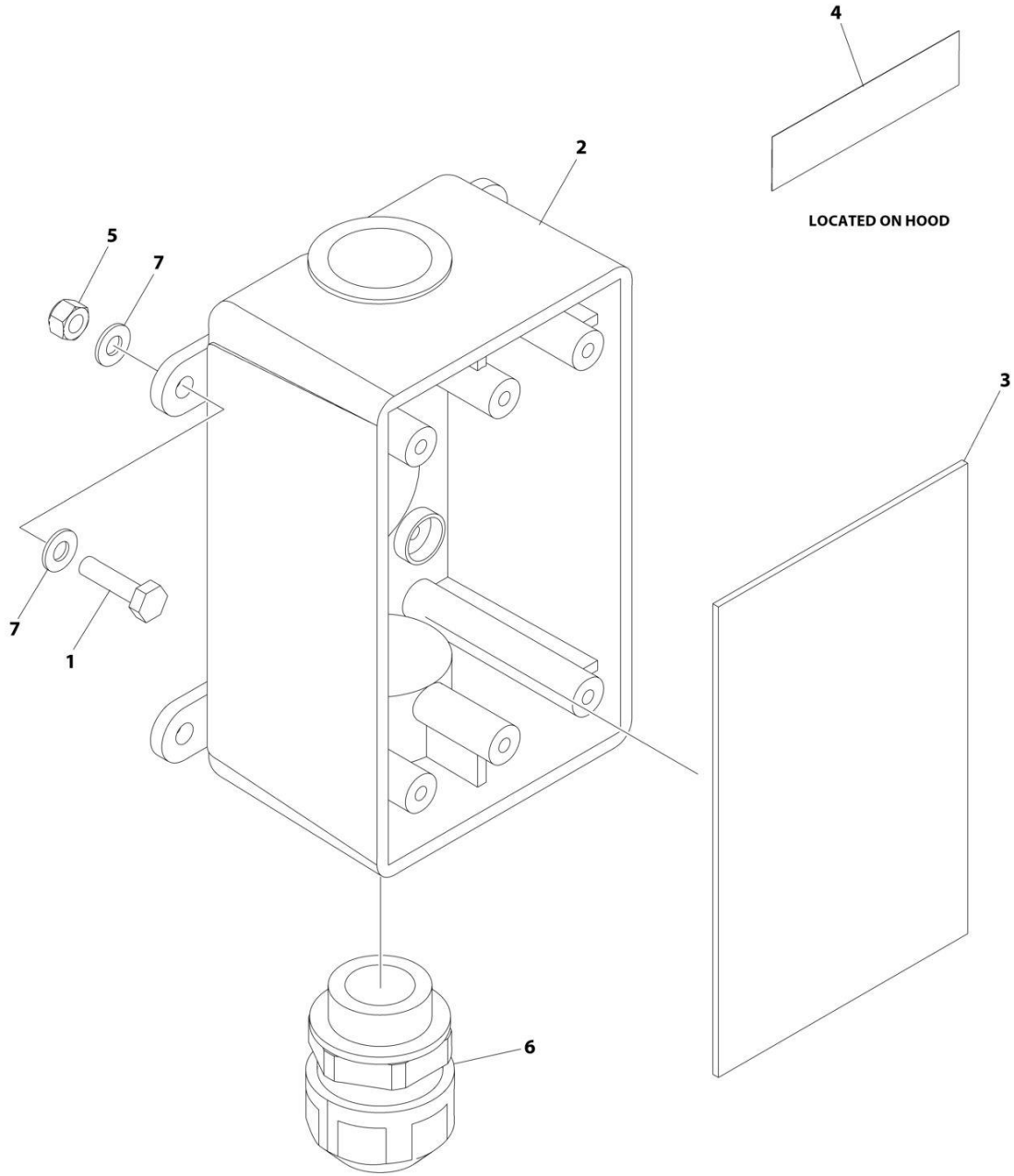
## SECTION 7 - ELECTRICAL

**FIGURE 7-7. AC BOX AT PLATFORM INSTALLATION - 220V IEC BLUE GROUND**

ITEM	PART NUMBER	QTY	DESCRIPTION	REV
	1001270620	Ref	AC BOX AT PLATFORM INSTALLATION - 220V IEC BLUE GROUND	D
1	0275217	1	Plug and Receptacle Box Kit (See Separate Breakdown in this Section)	
2	0721006	2	Bolt #10 x 3/4	
3	0760408	2	Bolt M4 x 16	
4	3252760	2	Decal, 240V	
5	3290405	2	Nut M4	
6	3311005	2	Nut #10	
7	4460662	1	Connector, Strain Relief	
8	4711000	2	Washer #10	
9	4811400	4	Washer	
10	1001096612	1	Breaker Box Assembly (See Separate Breakdown in this Section)	
11	1001276658	1	Breaker Plate	
12	4240017	AR	Tie-Strap (Not Shown)	

# SECTION 7 - ELECTRICAL

## FIGURE 7-8. AC BOX AT PLATFORM INSTALLATION - CUSTOMER SUPPLIED RECEPTACLE



ART\_1001270762

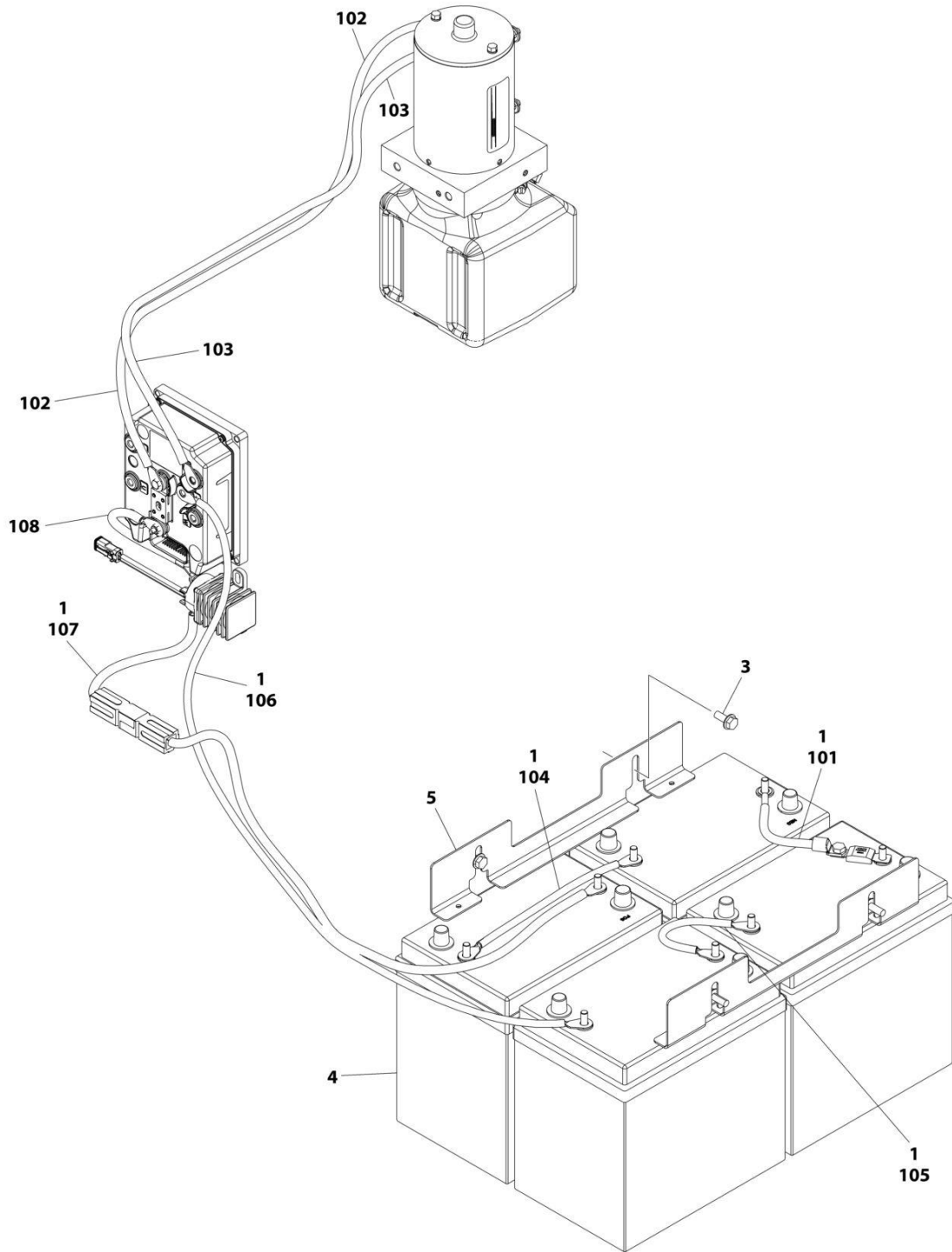
## SECTION 7 - ELECTRICAL

**FIGURE 7-8. AC BOX AT PLATFORM INSTALLATION - CUSTOMER SUPPLIED RECEPTACLE**

ITEM	PART NUMBER	QTY	DESCRIPTION	REV
	1001270762	Ref	AC BOX AT PLATFORM INSTALLATION - CUSTOMER SUPPLIED RECEPTACLE	C
1	0760408	4	Bolt M4 x 16	
2	0861731	1	Box, Receptacle	
3	1670603	1	Cover	
4	3252507	1	Decal, 220V	
5	3290405	4	Nut M4	
6	4460662	1	Connector, Strain Relief	
7	4811400	8	Washer M4	
8	4240017	AR	Tie-Strap (Not Shown)	

# SECTION 7 - ELECTRICAL

## FIGURE 7-9. BATTERIES AND CABLES INSTALLATION - AGM BATTERIES



ART\_1001292131

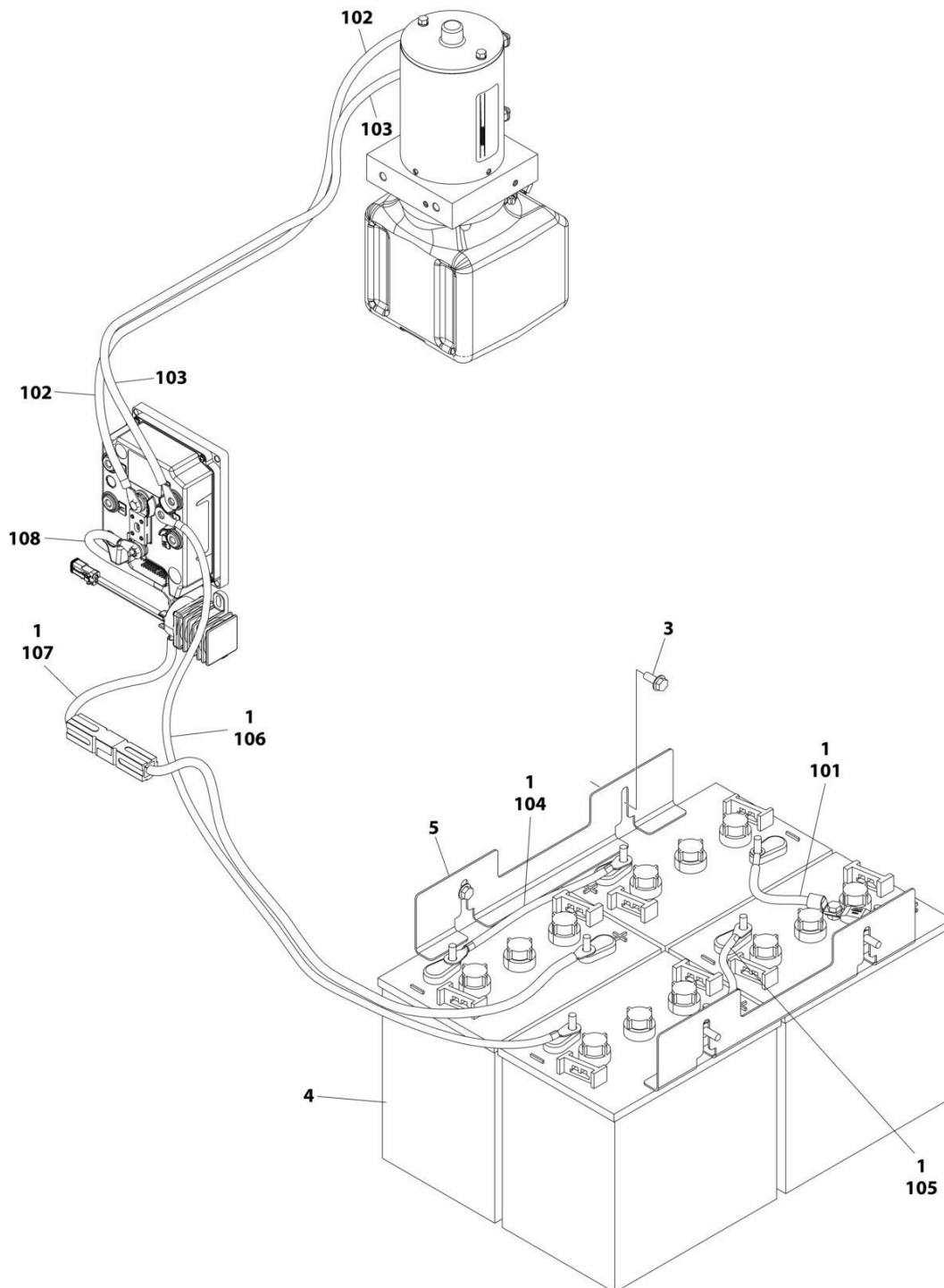
## SECTION 7 - ELECTRICAL

**FIGURE 7-9. BATTERIES AND CABLES INSTALLATION - AGM BATTERIES**

ITEM	PART NUMBER	QTY	DESCRIPTION	REV
	1001292131	Ref	BATTERIES AND CABLES INSTALLATION	A
1	0100051	Ref	Grease, Dielectric	
2	4240099	Ref	Tie-Strap (Not Shown)	
3	5250810	4	Bolt M8 X 20	
4	1001112112	4	Battery	
5	1001289825	2	Bracket	
100	1001270478	1	Battery Cable Kit	
101	1001274882	1	Cable, Battery Jumper with Fuse	
102	1001268669	1	Cable, Pump + To Drive Module B+	
103	1001268670	1	Cable, Pump - To Drive Module P-	
104	1001269010	1	Cable, Battery (+ To -) (10.5in /27cm Length)	
105	1001269011	1	Cable, Battery (+ To -) (7in /19cm Length)	
106	1001269012	1	Cable, Battery- To Drive Module B-	
107	1001269171	1	Cable, Relay To Battery Disconnect To Battery+	
108	1001269204	1	Cable, Drive Module BF+ To Relay	

# SECTION 7 - ELECTRICAL

## FIGURE 7-10. BATTERIES AND CABLES INSTALLATION - STANDARD BATTERIES



ART\_1001270041

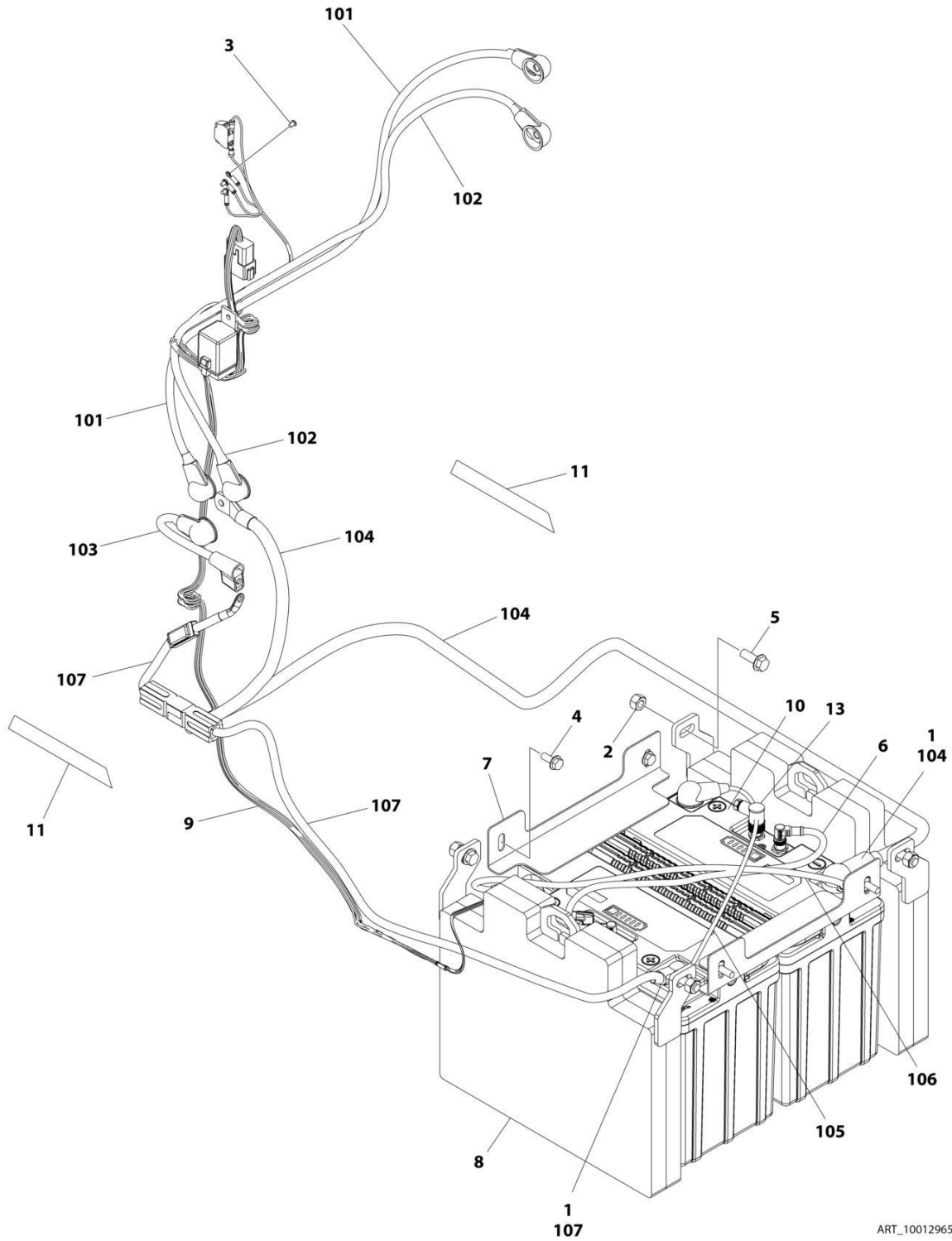
## SECTION 7 - ELECTRICAL

**FIGURE 7-10. BATTERIES AND CABLES INSTALLATION - STANDARD BATTERIES**

ITEM	PART NUMBER	QTY	DESCRIPTION	REV
	1001270041	Ref	BATTERIES AND CABLES INSTALLATION	D
1	0100051	Ref	Grease, Dielectric	
2	4240099	Ref	Tie-Strap (Not Shown)	
3	5250810	4	Bolt M8 X 20	
4	1001216180	4	Battery	
5	1001289825	2	Bracket	
100	1001270478	1	Battery Cable Kit	
101	1001274882	1	Cable, Battery Jumper with Fuse	
102	1001268669	1	Cable, Pump + To Drive Module B+	
103	1001268670	1	Cable, Pump - To Drive Module P-	
104	1001269010	1	Cable, Battery (+ To -) (10.5in /27cm Length)	
105	1001269011	1	Cable, Battery (+ To -) (7in /19cm Length)	
106	1001269012	1	Cable, Battery- To Drive Module B-	
107	1001269171	1	Cable, Relay To Battery Disconnect To Battery+	
108	1001269204	1	Cable, Drive Module BF+ To Relay	

# SECTION 7 - ELECTRICAL

## FIGURE 7-11. BATTERIES AND CABLES INSTALLATION - LITHIUM BATTERIES



ART\_1001296595

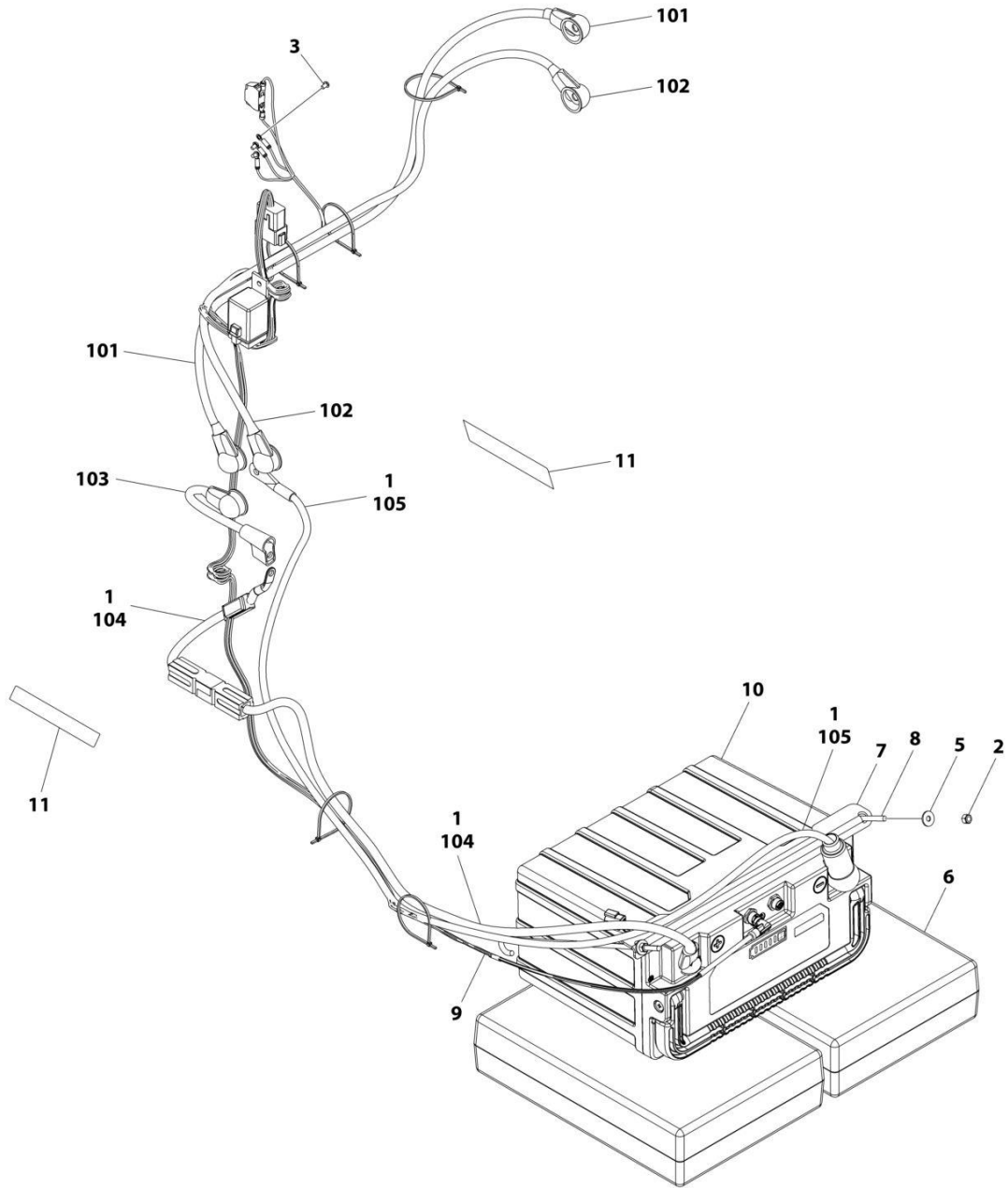
## SECTION 7 - ELECTRICAL

**FIGURE 7-11. BATTERIES AND CABLES INSTALLATION - LITHIUM BATTERIES**

ITEM	PART NUMBER	QTY	DESCRIPTION	REV
	1001296595	Ref	BATTERIES AND CABLES INSTALLATION	D
1	0100051	AR	Grease, Dielectric	
2	3291005	4	Nut M10	
3	3910804	3	Screw 8 x 1/4	
4	5250810	4	Bolt M8 x 20	
5	5251013	4	Bolt M10 x 28	
6	1001308941	1	Cable	
7	1001296542	2	Bracket	
8	1001296545	2	Counterweight	
9	1001297273	1	Harness, Lithium Battery (See Separate Breakdown in This Section)	
10	1001298067	2	Battery	
11	1001305790	2	Decal - Lithium Plus	
12	1001144295	1	Cap, Connector (Not Shown)	
13	1001314633	1	Connector	
100	1001301874	1	Battery Cable Kit	
101	1001268669	1	Cable, Pump + to Drive Module B+	
102	1001268670	1	Cable, Pump - to Drive Module P-	
103	1001269204	1	Cable, Drive Module BF+ to Relay	
104	1001288888	1	Cable, Battery - to Module -	
105	1001308987	1	Cable, Jumper B+ to Battery +	
106	1001308988	1	Cable, Jumper B- to Battery -	
107	1001298845	1	Cable, Battery Disconnect	

# SECTION 7 - ELECTRICAL

## FIGURE 7-12. BATTERIES AND CABLES INSTALLATION - LITHIUM+ BATTERIES



ART\_1001296594

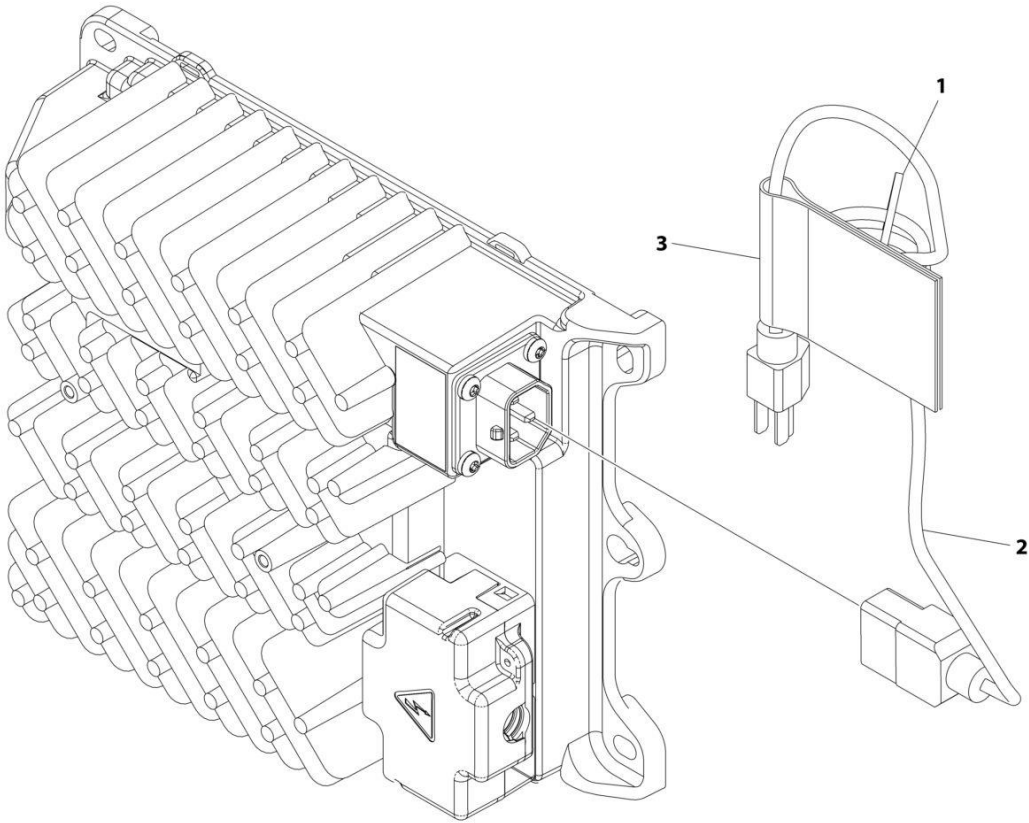
## SECTION 7 - ELECTRICAL

**FIGURE 7-12. BATTERIES AND CABLES INSTALLATION - LITHIUM+ BATTERIES**

ITEM	PART NUMBER	QTY	DESCRIPTION	REV
	1001296594	Ref	BATTERIES AND CABLES INSTALLATION	C
1	0100051	AR	Grease, Dielectric	
2	3290605	2	Nut M6	
3	3910804	3	Screw 8 x 1/4	
4	4240099	AR	Tie-Strap (Not Shown)	
5	4811702	2	Washer M6	
6	1001295000	2	Weight, Battery	
7	1001296540	1	Bracket	
8	1001296621	2	Hook	
9	1001297273	1	Harness, Lithium Battery (See Separate Breakdown in This Section)	
10	1001298067	1	Battery	
11	1001305789	2	Decal - Lithium	
12	1001144295	1	Cap, Connector	
100	1001298939	1	Battery Cable Kit	
101	1001268669	1	Cable, Pump +	
102	1001268670	1	Cable, Pump -	
103	1001269204	1	Cable, Contactor to Module	
104	1001298845	1	Cable, Battery Disconnect	
105	1001298864	1	Cable, Battery - to Module B-	

**SECTION 7 - ELECTRICAL**

**FIGURE 7-13. BATTERY CHARGER PLUG INSTALLATION - 110V PLUG**



ART\_1001290904

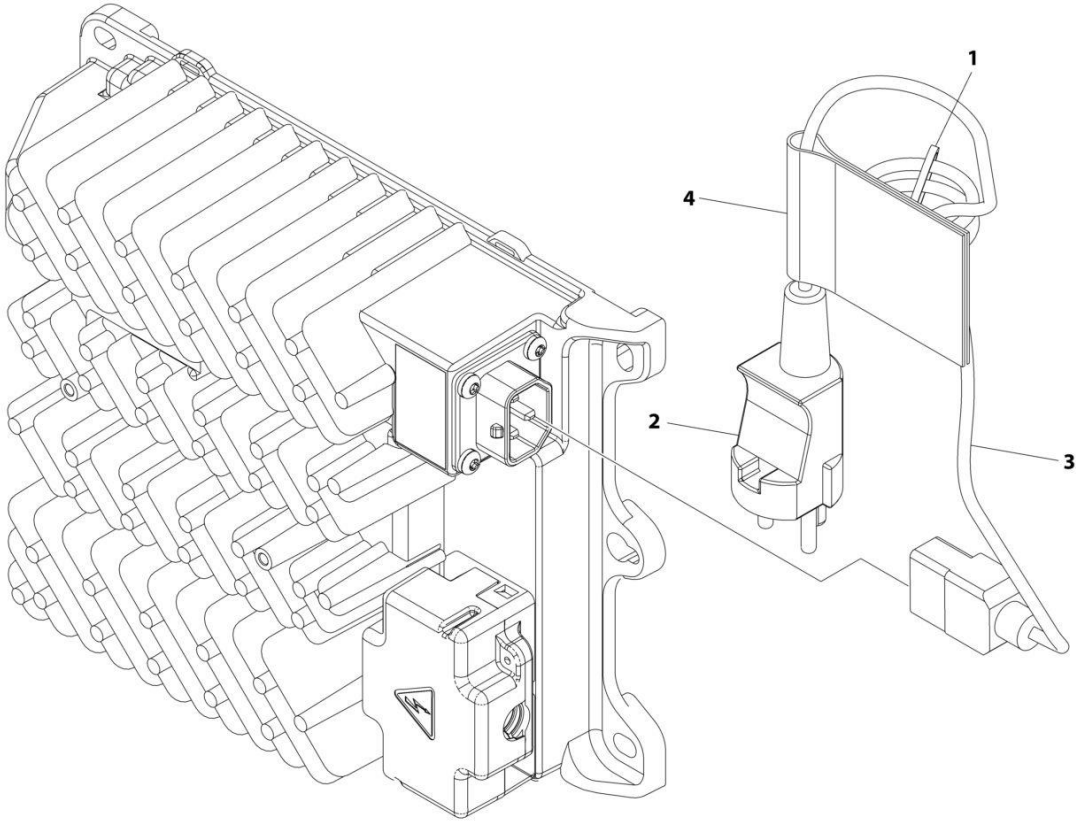
## SECTION 7 - ELECTRICAL

**FIGURE 7-13. BATTERY CHARGER PLUG INSTALLATION - 110V PLUG**

ITEM	PART NUMBER	QTY	DESCRIPTION	REV
	1001290904	Ref	BATTERY CHARGER PLUG INSTALLATION	A
1	4240017	AR	Tie-Strap	
2	1001207970	1	Cable - Charger AC Input (Includes Plug)	
3	1001291035	1	Decal - Charger Plug	

**SECTION 7 - ELECTRICAL**

**FIGURE 7-14. BATTERY CHARGER PLUG INSTALLATION - AFSINT107 PLUG**



ART\_1001290906

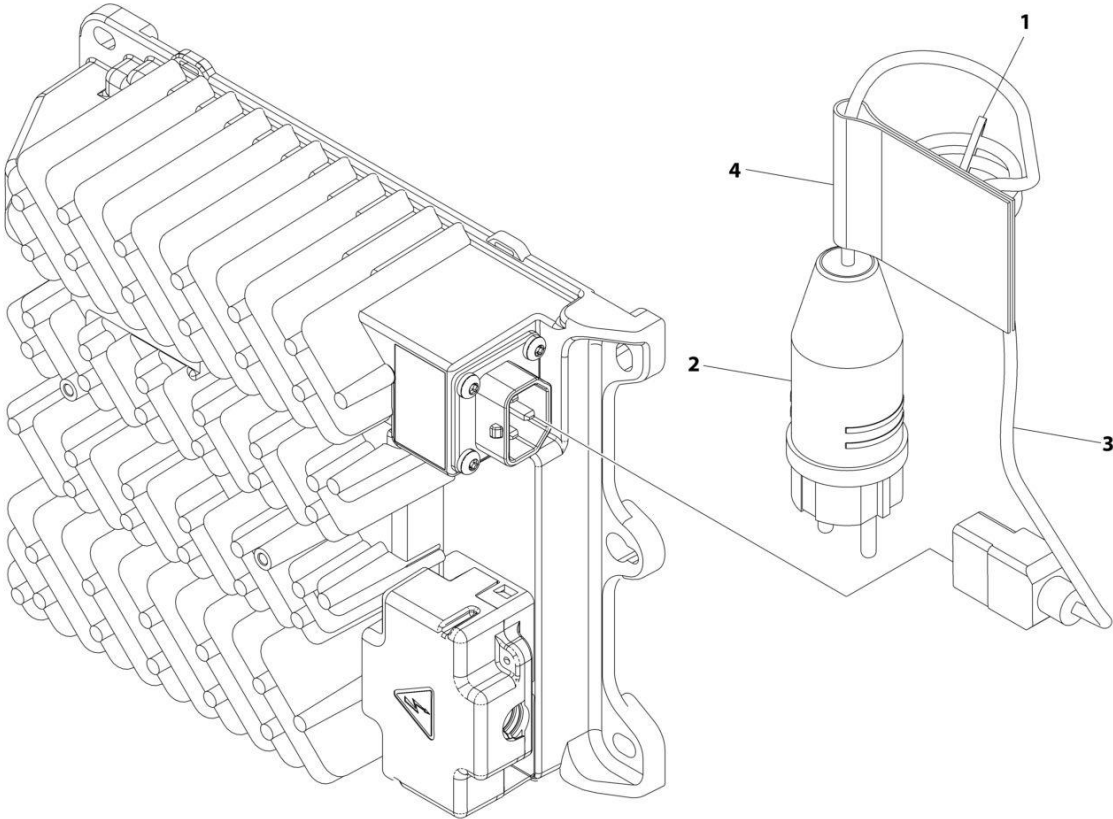
## SECTION 7 - ELECTRICAL

**FIGURE 7-14. BATTERY CHARGER PLUG INSTALLATION - AFSINT107 PLUG**

ITEM	PART NUMBER	QTY	DESCRIPTION	REV
	1001290906	Ref	BATTERY CHARGER PLUG INSTALLATION	A
1	4240017	AR	Tie-Strap	
2	4461249	1	Plug	
3	1001207974	1	Cable - Charger AC Input	
4	1001291035	1	Decal - Charger Plug	

**SECTION 7 - ELECTRICAL**

**FIGURE 7-15. BATTERY CHARGER PLUG INSTALLATION - CEE7 PLUG**



ART\_1001290905

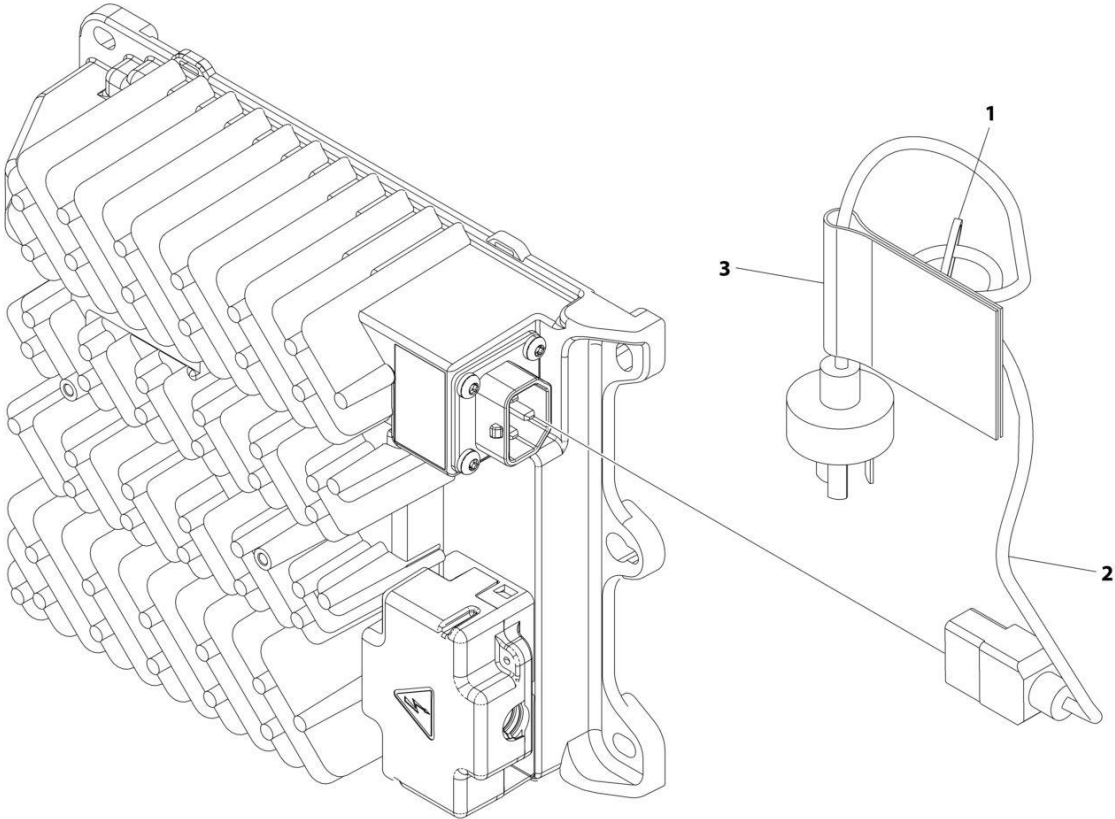
## SECTION 7 - ELECTRICAL

**FIGURE 7-15. BATTERY CHARGER PLUG INSTALLATION - CEE7 PLUG**

ITEM	PART NUMBER	QTY	DESCRIPTION	REV
	1001290905	Ref	BATTERY CHARGER PLUG INSTALLATION	A
1	4240017	AR	Tie-Strap	
2	4461205	1	Plug	
3	1001207974	1	Cable - Charger AC Input	
4	1001291035	1	Decal - Charger Plug	

**SECTION 7 - ELECTRICAL**

**FIGURE 7-16. BATTERY CHARGER PLUG INSTALLATION - CHINA PLUG**



ART\_1001290909

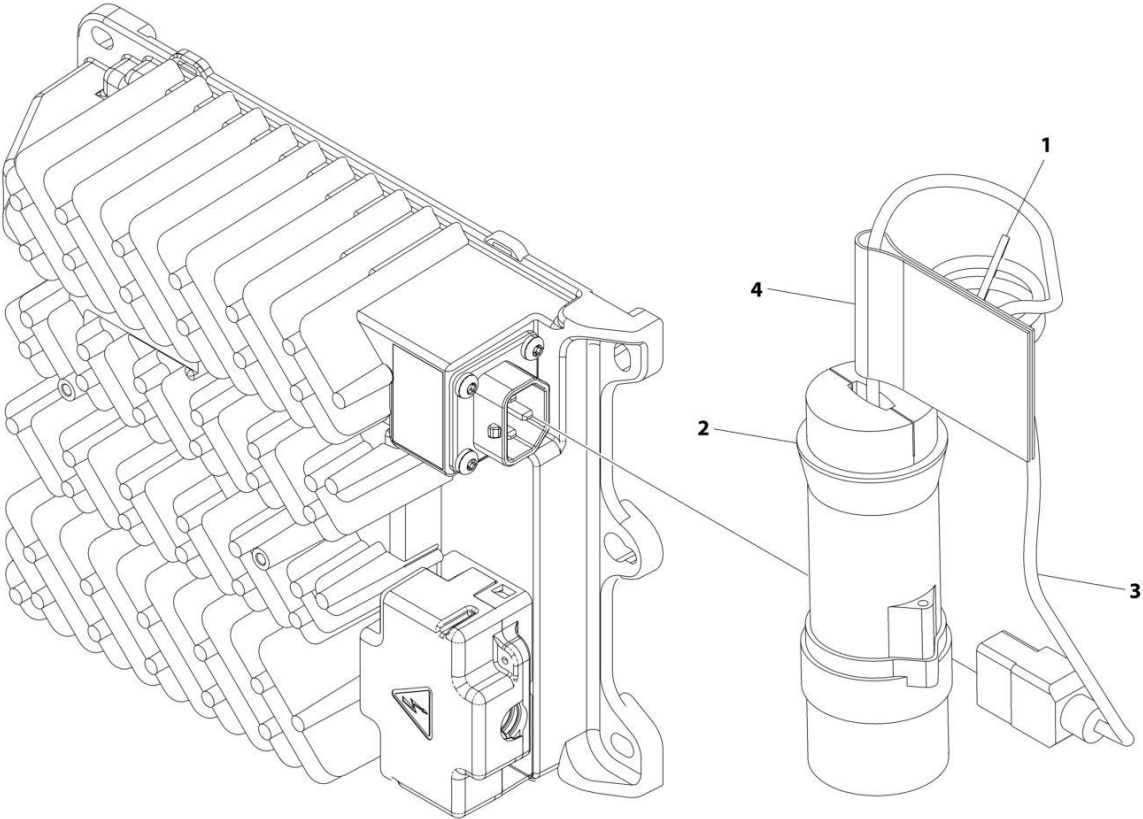
## SECTION 7 - ELECTRICAL

**FIGURE 7-16. BATTERY CHARGER PLUG INSTALLATION - CHINA PLUG**

ITEM	PART NUMBER	QTY	DESCRIPTION	REV
	1001290909	Ref	BATTERY CHARGER PLUG INSTALLATION	A
1	4240017	AR	Tie-Strap	
2	1001207973	1	Cable - Charger AC Input (Includes Plug)	
3	1001291035	1	Decal - Charger Plug	

**SECTION 7 - ELECTRICAL**

**FIGURE 7-17. BATTERY CHARGER PLUG INSTALLATION - IEC BLUE**



ART\_1001290908

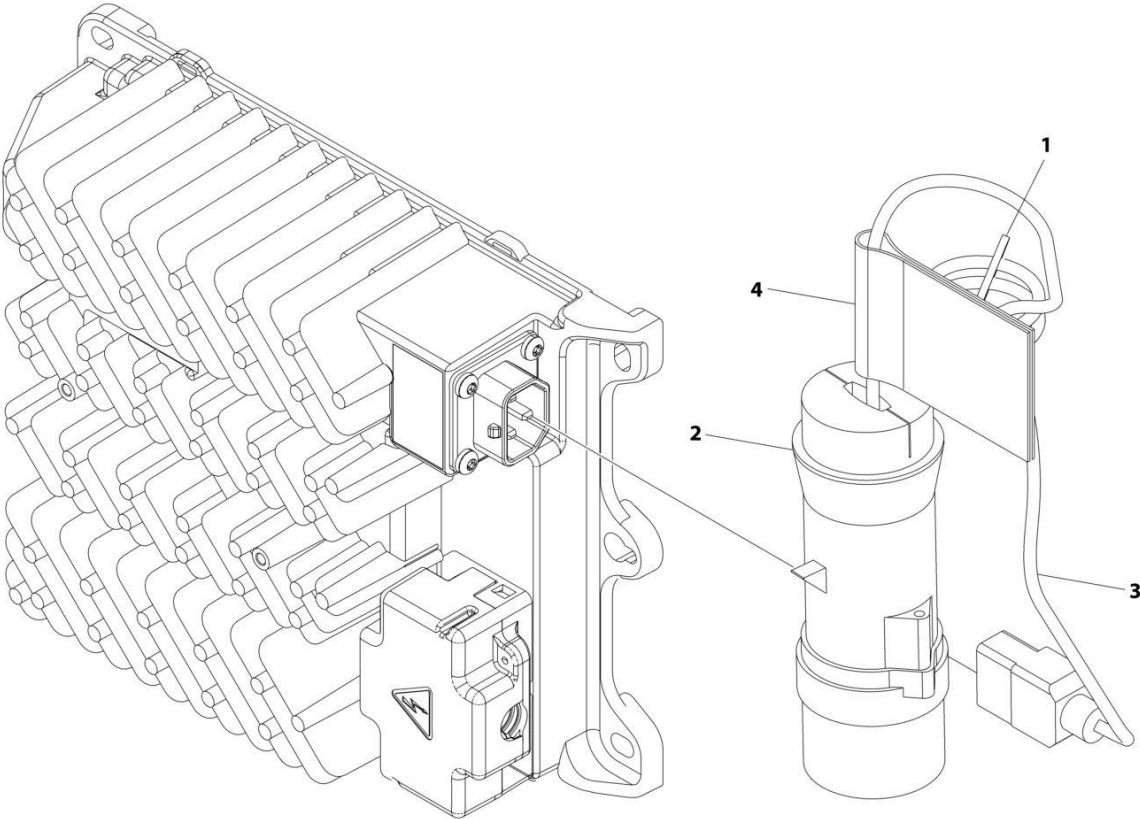
## SECTION 7 - ELECTRICAL

**FIGURE 7-17. BATTERY CHARGER PLUG INSTALLATION - IEC BLUE**

ITEM	PART NUMBER	QTY	DESCRIPTION	REV
	1001290908	Ref	BATTERY CHARGER PLUG INSTALLATION	A
1	4240017	AR	Tie-Strap	
2	4461199	1	Plug	
3	1001207974	1	Cable - Charger AC Input	
4	1001291035	1	Decal - Charger Plug	

**SECTION 7 - ELECTRICAL**

**FIGURE 7-18. BATTERY CHARGER PLUG INSTALLATION - IEC YELLOW**



ART\_1001290907

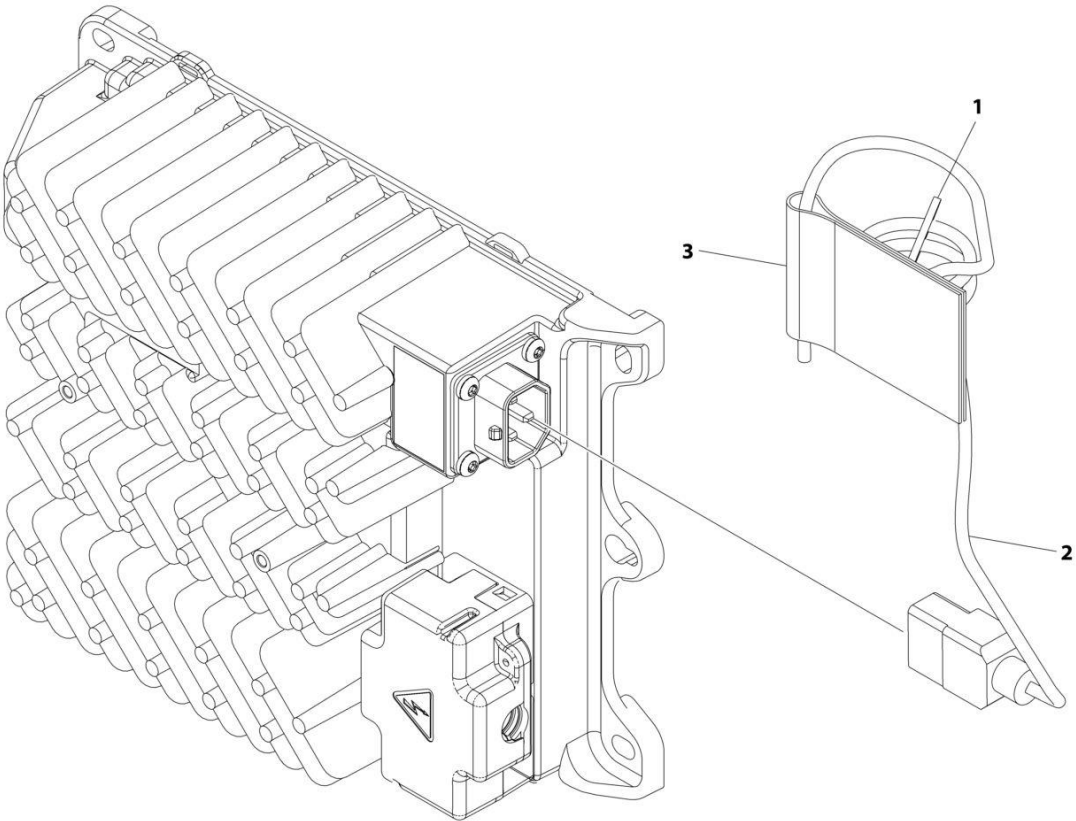
## SECTION 7 - ELECTRICAL

**FIGURE 7-18. BATTERY CHARGER PLUG INSTALLATION - IEC YELLOW**

ITEM	PART NUMBER	QTY	DESCRIPTION	REV
	1001290907	Ref	BATTERY CHARGER PLUG INSTALLATION	A
1	4240017	AR	Tie-Strap	
2	4461196	1	Plug	
3	1001207974	1	Cable - Charger AC Input	
4	1001291035	1	Decal - Charger Plug	

**SECTION 7 - ELECTRICAL**

**FIGURE 7-19. BATTERY CHARGER PLUG INSTALLATION - CUSTOMER SUPPLIED PLUG**



ART\_1001290903

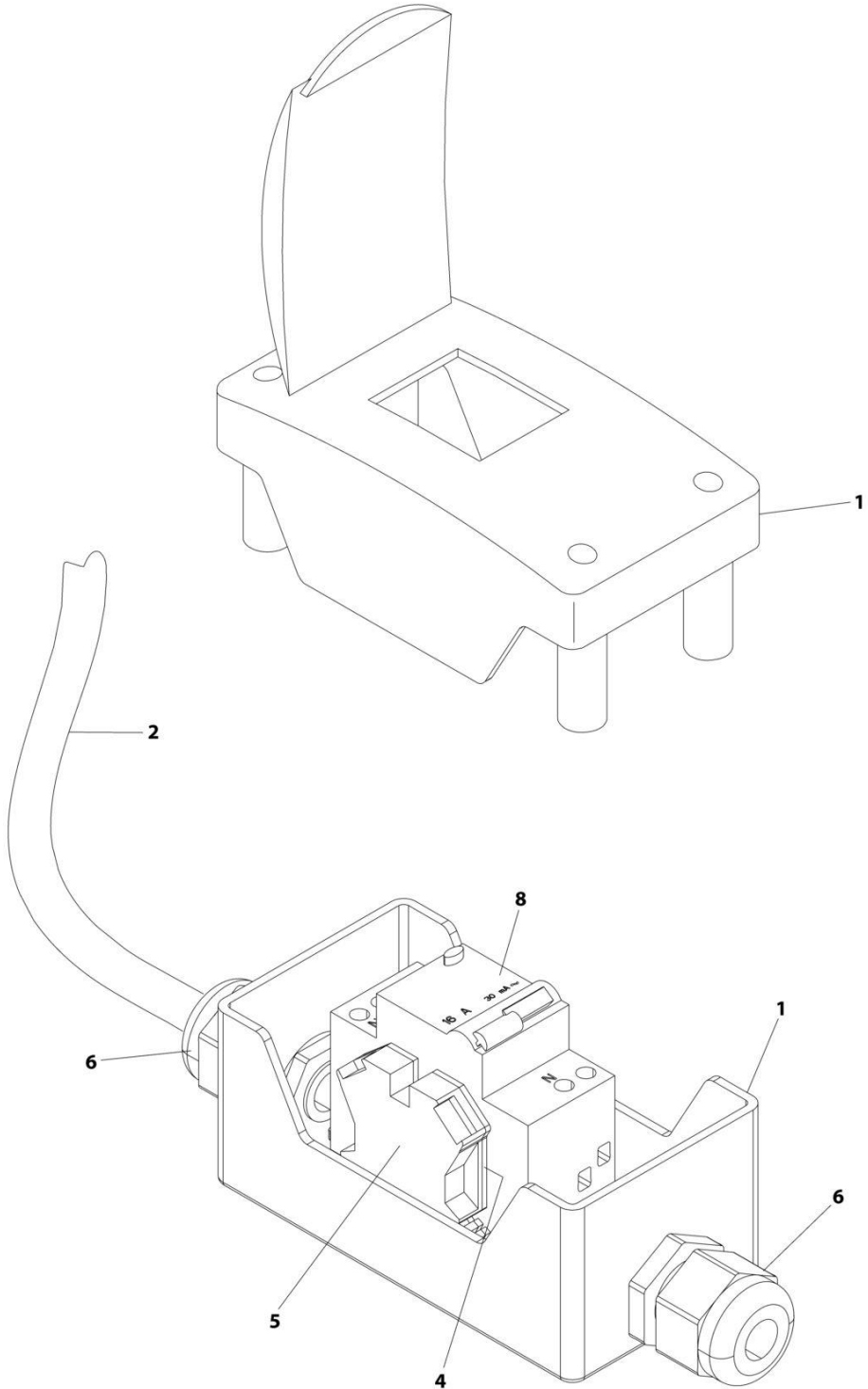
## SECTION 7 - ELECTRICAL

**FIGURE 7-19. BATTERY CHARGER PLUG INSTALLATION - CUSTOMER SUPPLIED PLUG**

ITEM	PART NUMBER	QTY	DESCRIPTION	REV
	1001290903	Ref	CHARGER PLUG INSTALLATION	A
1	4240017	AR	Tie-Strap	
2	1001207974	1	Cable - Charger AC Input (Cable Only - No Plug)	
3	1001291035	1	Decal - Charger Plug	

**SECTION 7 - ELECTRICAL**

**FIGURE 7-20. BREAKER BOX ASSEMBLY WITH 1 DOUBLE BREAKER**



ART\_1001096612

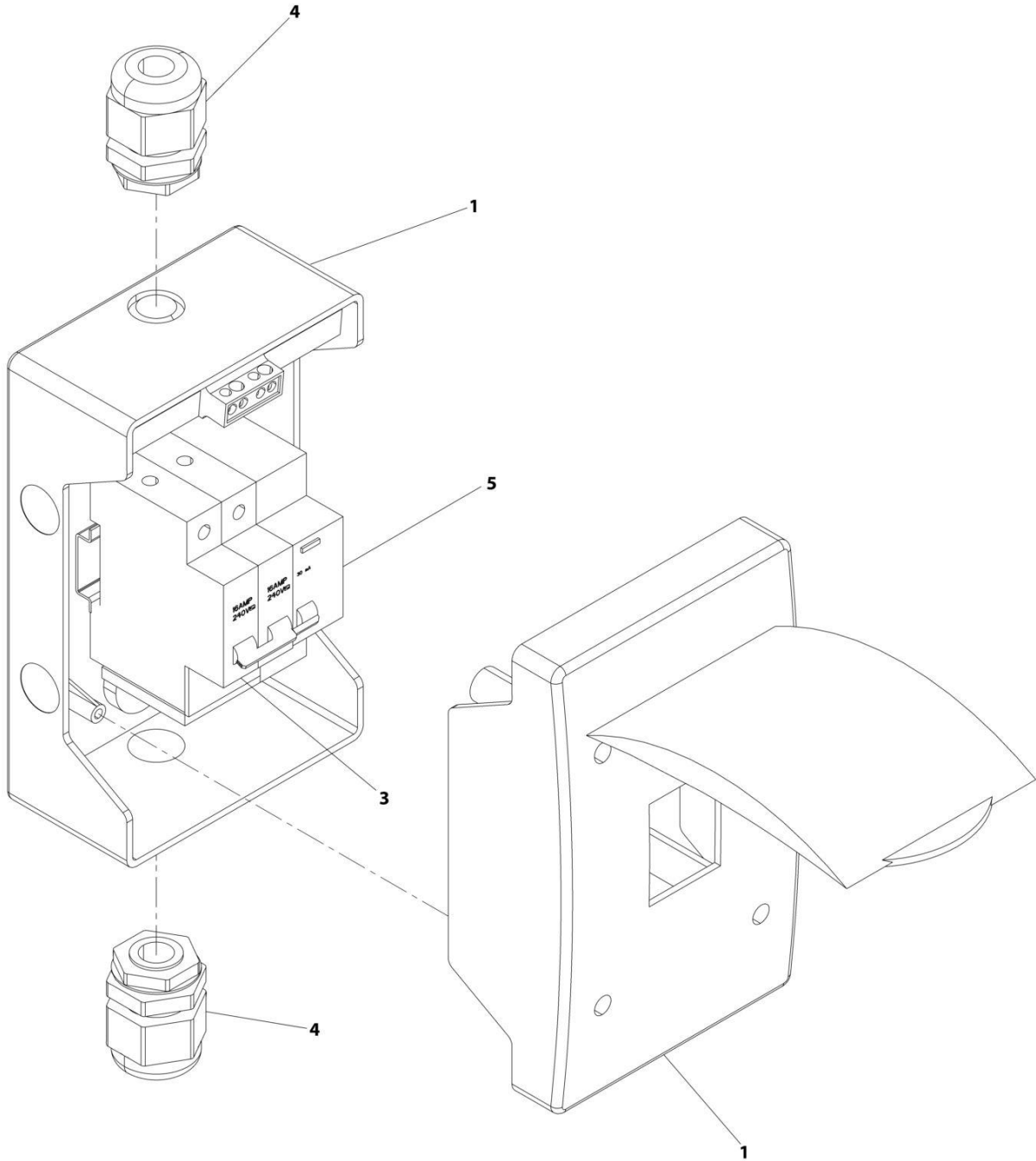
## SECTION 7 - ELECTRICAL

**FIGURE 7-20. BREAKER BOX ASSEMBLY WITH 1 DOUBLE BREAKER**

ITEM	PART NUMBER	QTY	DESCRIPTION	REV
	1001096612	Ref	BREAKER BOX ASSEMBLY	C
1	0861880	1	Box	
2	1060908	4.5 ft /1.4m	Cable, 12/3	
4	4460956	1	Barrier, Terminal	
5	4460957	1	Block, Terminal	
6	1001097150	2	Connector, Strain Relief	
8	1001181045	1	Breaker, Double 30mAmp/16Amp	

# SECTION 7 - ELECTRICAL

FIGURE 7-21. BREAKER BOX ASSEMBLY WITH 3 BREAKERS



ART\_1001152484

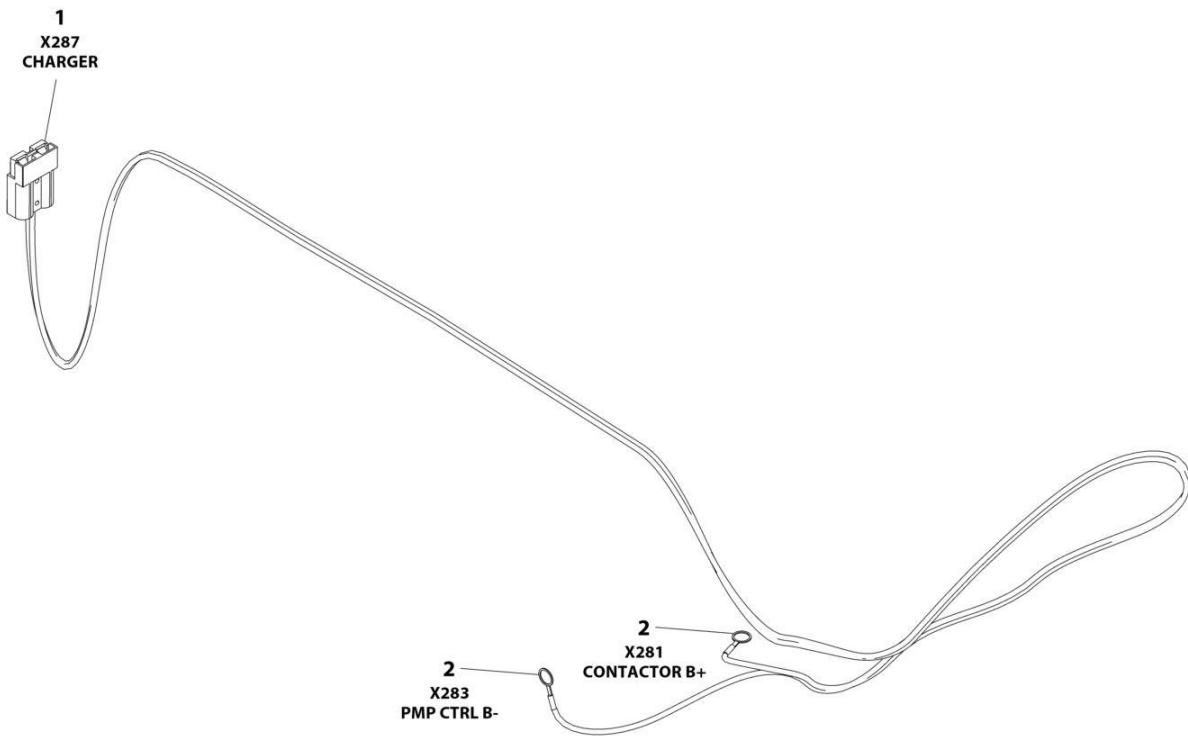
## SECTION 7 - ELECTRICAL

**FIGURE 7-21. BREAKER BOX ASSEMBLY WITH 3 BREAKERS**

ITEM	PART NUMBER	QTY	DESCRIPTION	REV
	1001152484	Ref	BREAKER BOX ASSEMBLY	C
1	1001152483	1	Box	
2	1060908	1	Cable (Not Shown)	
3	1001189172	1	Breaker, Double 16AMP	
4	1001097150	2	Connector, Strain Relief	
5	1001189171	1	Breaker, 30mAmp	

# SECTION 7 - ELECTRICAL

## FIGURE 7-22. CHARGER HARNESS



ART\_1001207735

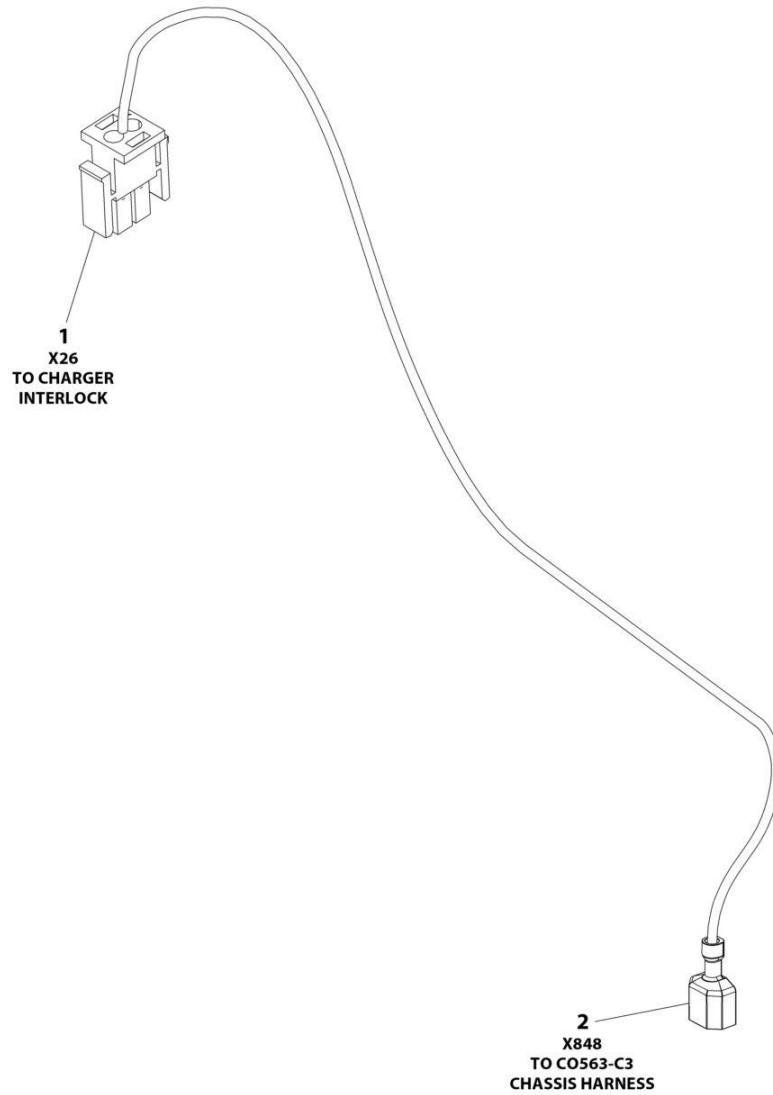
## SECTION 7 - ELECTRICAL

### FIGURE 7-22. CHARGER HARNESS

ITEM	PART NUMBER	QTY	DESCRIPTION	REV
	1001207735	Ref	CHARGER HARNESS, OPTION DC	C
1	4460648	1	Connector, 50A	
2	4460019	2	Terminal, Ring	

# SECTION 7 - ELECTRICAL

## FIGURE 7-23. CHARGER JUMPER HARNESS



ART\_1001311745

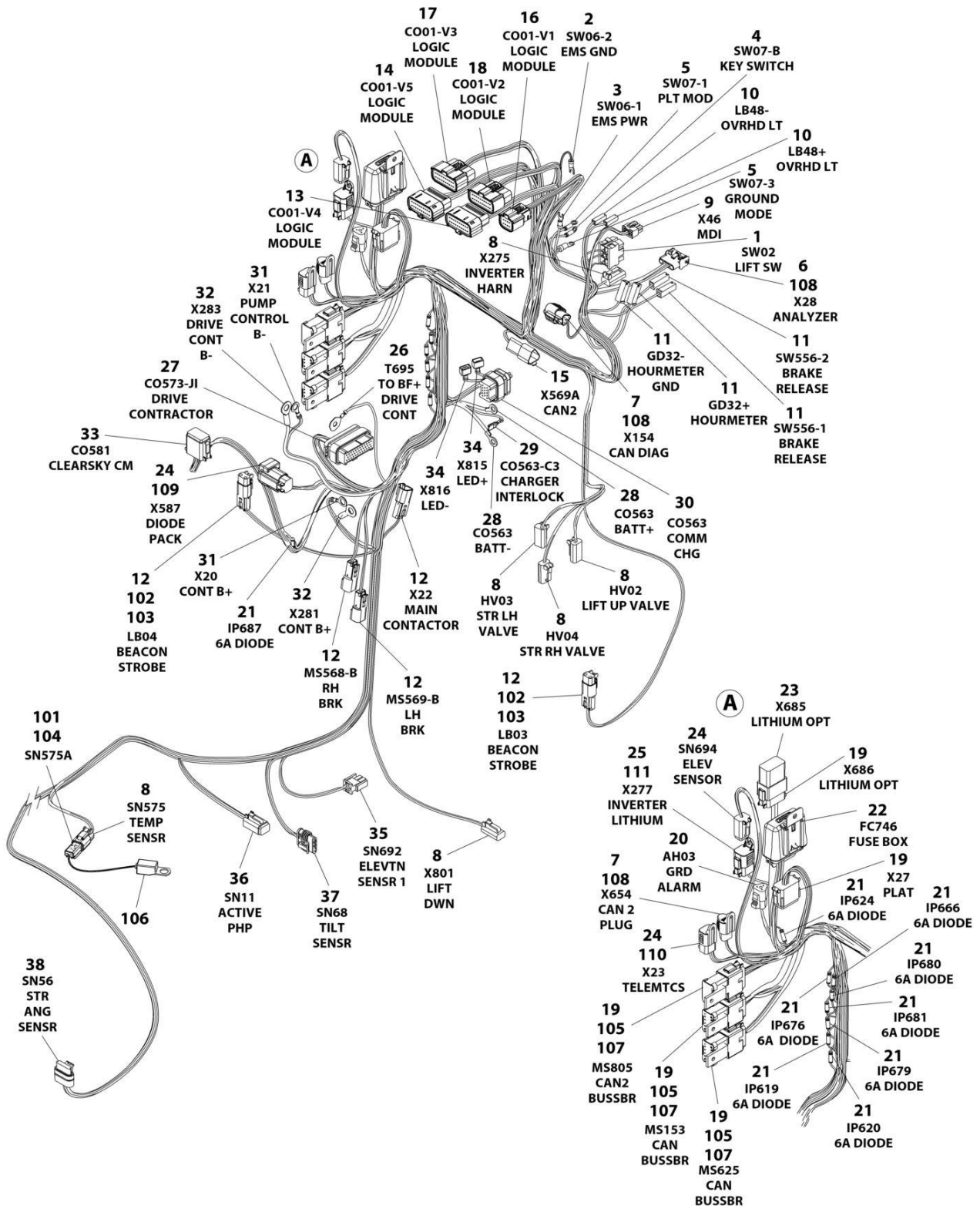
## SECTION 7 - ELECTRICAL

### FIGURE 7-23. CHARGER JUMPER HARNESS

ITEM	PART NUMBER	QTY	DESCRIPTION	REV
	1001311745	Ref	CHARGER JUMPER HARNESS	A
1	4460320	1	Connector 2 Position	
1	4460226	1	Terminal	
2	1001193545	1	Connector 1 Position	

# SECTION 7 - ELECTRICAL

## FIGURE 7-24. CHASSIS HARNESS



ART\_1001296876

# SECTION 7 - ELECTRICAL

## FIGURE 7-24. CHASSIS HARNESS

ITEM	PART NUMBER	QTY	DESCRIPTION	REV
	1001296876	Ref	CHASSIS HARNESS	E
1	4460418	1	Connector 6 Position	
1	1001159186	3	Terminal	
2	4460115	1	Terminal, Fork	
3	4460183	1	Terminal, Fork	
4	4460247	1	Terminal, Ring	
5	4460042	2	Terminal, Ring	
6	4460761	1	Connector 4 Position	
6	4460227	4	Terminal	
7	1001118812	2	Connector 3 Position	
7	4460944	4	Terminal	
7	4460466	2	Plug, Terminal	
8	4460891	6	Connector 2 Position	
8	4460465	12	Terminal	
9	1001151629	1	Connector 8 Position	
9	4461023	2	Terminal	
9	4460877	2	Terminal	
10	1001117000	2	Connector 1 Position	
10	1001118387	2	Terminal	
11	4460260	4	Cover, Terminal	
11	4460259	2	Terminal	
11	1001272868	2	Terminal	
12	4460897	5	Connector 2 Position	
12	4460464	10	Terminal	
13	1001205411	1	Connector 20 Position	
13	1001162887	10	Terminal	
13	1001163340	10	Plug, Terminal	
14	1001205412	1	Connector 20 Position	
14	1001162887	16	Terminal	
14	1001163340	4	Plug, Terminal	
15	1001144147	1	Connector 3 Position	
15	4460943	2	Terminal	
15	4460466	1	Plug, Terminal	
16	1001205409	1	Connector 8 Position	
16	1001162887	8	Terminal	
17	1001162886	1	Connector 20 Position	
17	1001162887	12	Terminal	
17	1001163340	8	Plug, Terminal	
18	1001205410	1	Connector 20 Position	
18	1001162887	14	Terminal	
18	1001163340	6	Plug, Terminal	
19	4460933	5	Connector 12 Position	
19	4460465	47	Terminal	
19	4460944	4	Terminal	
19	4460466	9	Plug, Terminal	
20	4460539	1	Connector 3 Position	
20	4460465	3	Terminal	
21		Ref	Diode 6Amp	
22	1001260788	1	Fusebox	
22	4460746	10	Terminal	

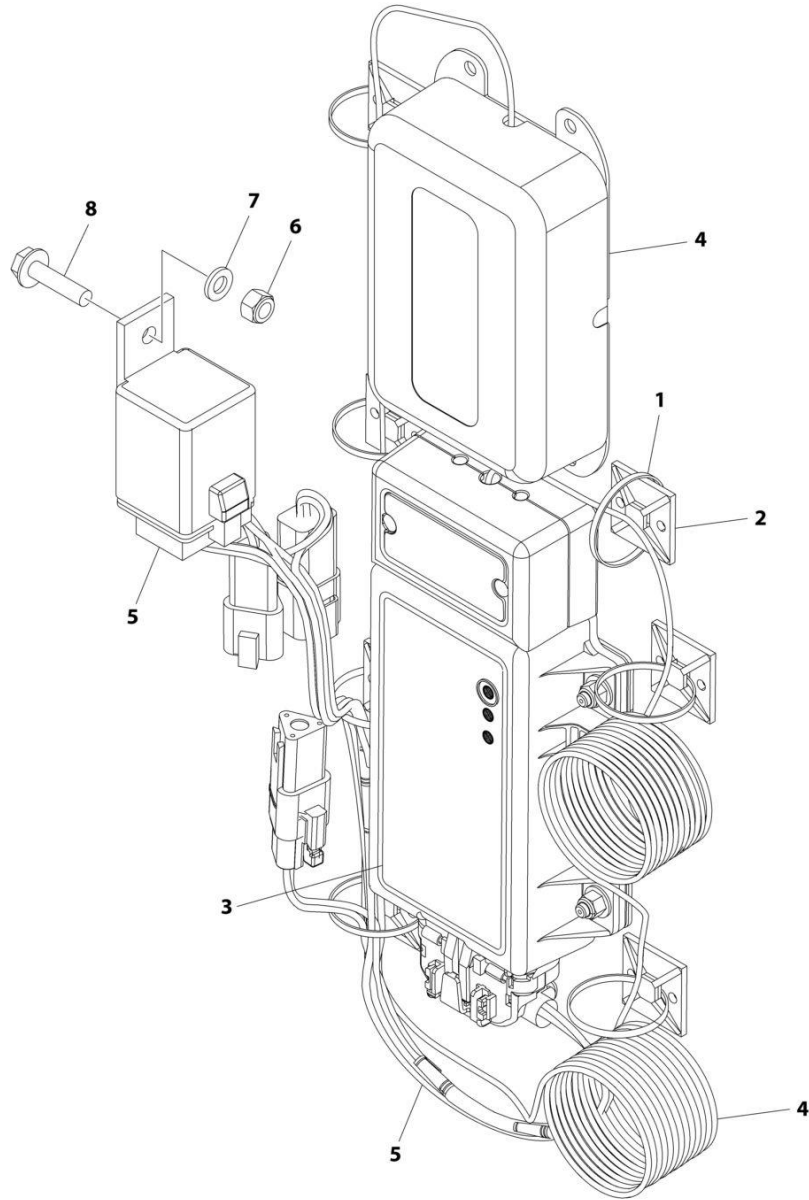
## SECTION 7 - ELECTRICAL

ITEM	PART NUMBER	QTY	DESCRIPTION	REV
22	4460748	2	Plug, Terminal	
22	8229244	1	Fuse 1.5Amp (Ground EMS)	
22	1001142498	2	Fuse 5Amp (Platform EMS & Telematics)	
22	1001170760	1	Fuse 10Amp (Brake)	
22	8229249	1	Fuse 3Amp	
23	4460970	1	Connector 12 Position	
23	4460464	4	Terminal	
23	4460466	8	Plug, Terminal	
24	1001220379	3	Connector 2 Position	
24	4460465	12	Terminal	
25	4460894	1	Connector 6 Position	
25	4460465	4	Terminal	
25	4460466	2	Plug, Terminal	
26	1001187073	1	Terminal, Ring	
27	4460873	1	Connector 35 Position	
27	4460871	11	Terminal	
27	4460905	24	Plug, Terminal	
28	4460312	2	Terminal, Ring	
29	1001272868	1	Terminal, Positive	
30	4460872	1	Connector 14 Position	
30	4460871	8	Terminal	
30	4460905	6	Plug, Terminal	
31	4460670	2	Terminal, Ring	
32	8220045	2	Terminal, Ring	
33	4460930	1	Connector 8 Position	
33	4460465	8	Terminal	
34	8220050	2	Connector 1 Position	
35	4460320	1	Connector 6 Position	
35	4460226	2	Terminal	
36	4460884	1	Connector 4 Position	
36	4460465	4	Terminal	
37	1001103012	1	Connector 4 Position	
37	1001196589	4	Terminal	
37	1001104498	4	Seal, Terminal	
38	1001230931	1	Connector 6 Position	
38	1001116748	6	Terminal	
101	4460464	2	Terminal	
102	4460466	4	Plug, Terminal	
103	4460891	2	Connector 2 Position	
104	4460897	1	Receptacle, Female 2 Position	
105	4460914	3	Base, Terminal	
106	1001102771	1	Sensor, Temperature	
107	1001125677	3	Bussbar 2 Position	
108	1001144296	2	Cap	
109	1001152266	1	Connector 4 Position	
110	1001192401	1	Dustcap	
111	1001213448	1	Dustcap	



# SECTION 7 - ELECTRICAL

## FIGURE 7-25. CLEARSKY TELEMATICS INSTALLATION - 4G CANBUS



ART\_1001270178

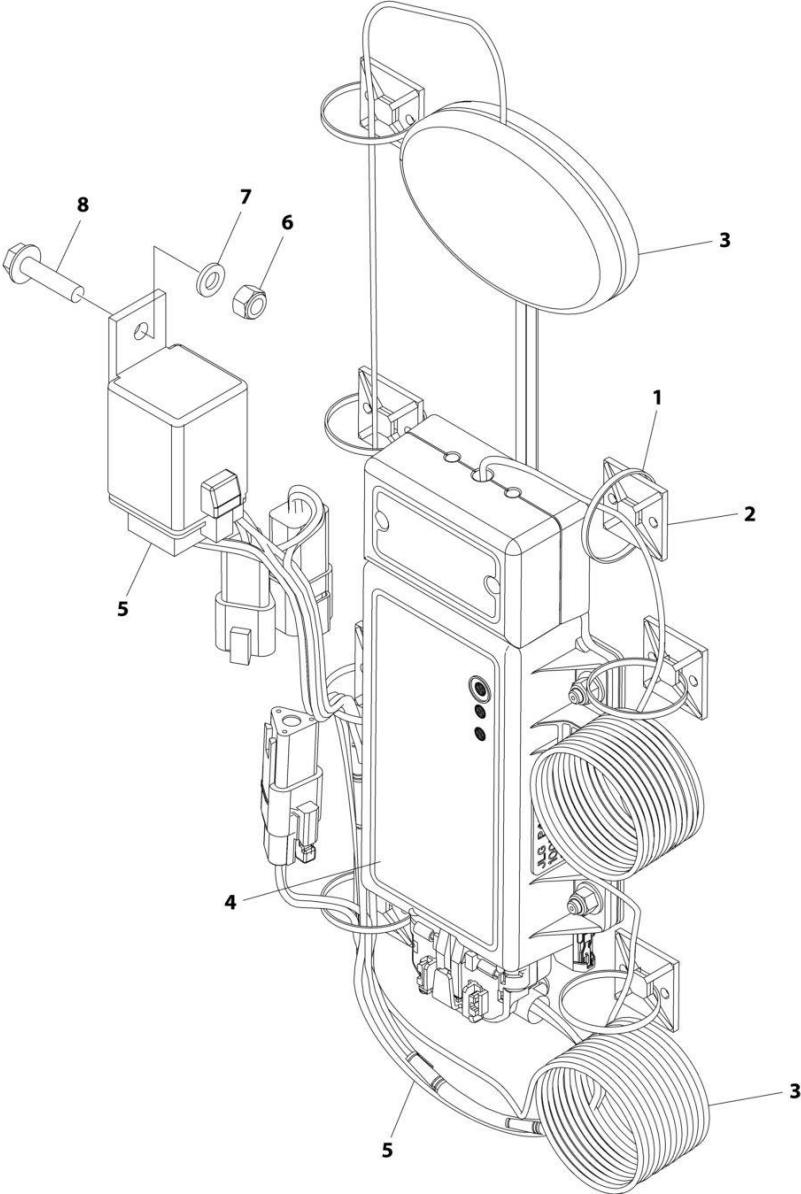
## SECTION 7 - ELECTRICAL

**FIGURE 7-25. CLEARSKY TELEMATICS INSTALLATION - 4G CANBUS**

ITEM	PART NUMBER	QTY	DESCRIPTION	REV
	1001270178	Ref	CLEARSKY TELEMATICS INSTALLATION	B
1	4240017	AR	Tie-Strap	
2	4460234	AR	Mount, Cable-Tie	
3	1001262322	1	Module, ClearSky	
4	1001262327	1	Module, Antena	
5	1001268803	1	Harness, ClearSky (See Separate Breakdown in this Section)	
6	3290605	1	Nut M6	
7	4811700	1	Washer M6	
8	5250612	1	Bolt M6 x 25	

**SECTION 7 - ELECTRICAL**

**FIGURE 7-26. CLEARSKY TELEMATICS INSTALLATION - 3G CANBUS (AUSTRALIAN SPECS)**



ART\_1001270820

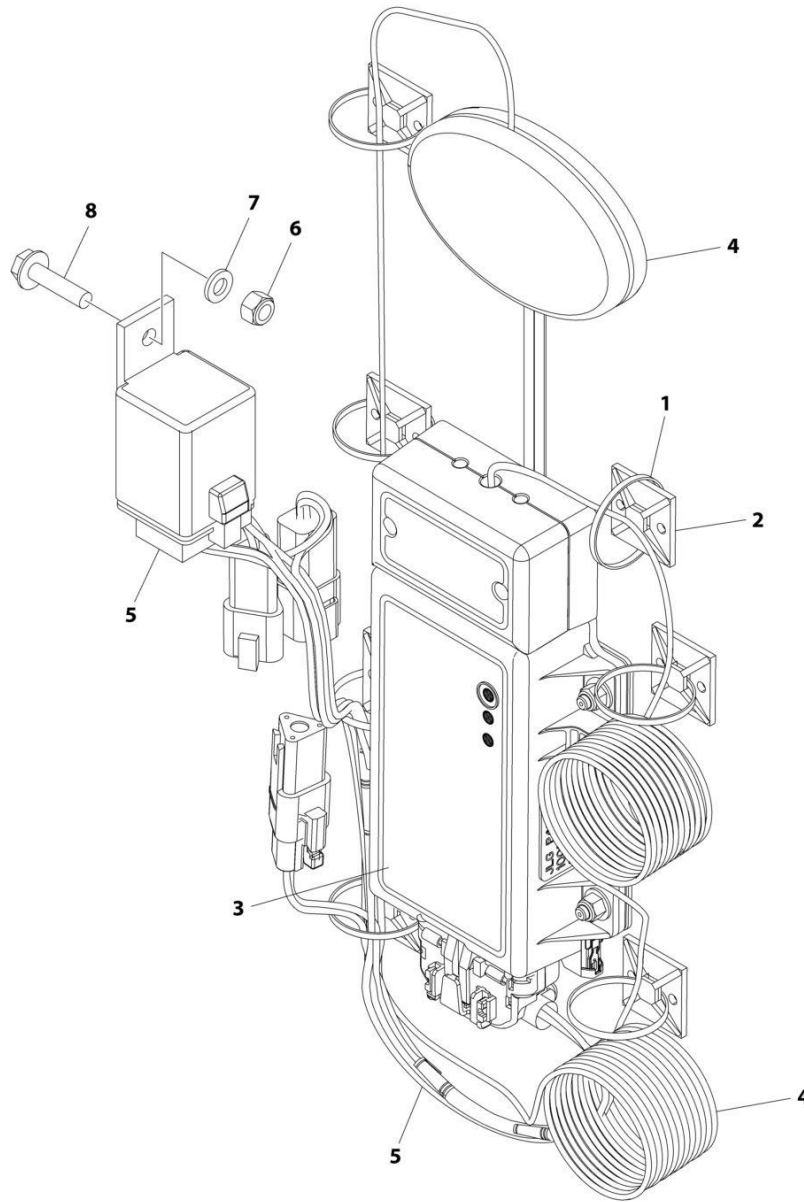
## SECTION 7 - ELECTRICAL

**FIGURE 7-26. CLEARSKY TELEMATICS INSTALLATION - 3G CANBUS (AUSTRALIAN SPECS)**

ITEM	PART NUMBER	QTY	DESCRIPTION	REV
	1001270820	Ref	CLEARSKY TELEMATICS INSTALLATION	B
1	4240017	AR	Tie-Strap	
2	4460234	AR	Mount, Cable-Tie	
3	1001236144	1	Module, Antena	
4	1001246144	1	Module, ClearSky	
5	1001268803	1	Harness, ClearSky (See Separate Breakdown in this Section)	
6	3290605	1	Nut M6	
7	4811700	1	Washer M6	
8	5250612	1	Bolt M6 x 25	

# SECTION 7 - ELECTRICAL

## FIGURE 7-27. CLEARSKY TELEMATICS INSTALLATION - 3G CANBUS (CE SPECS)



ART\_1001270819

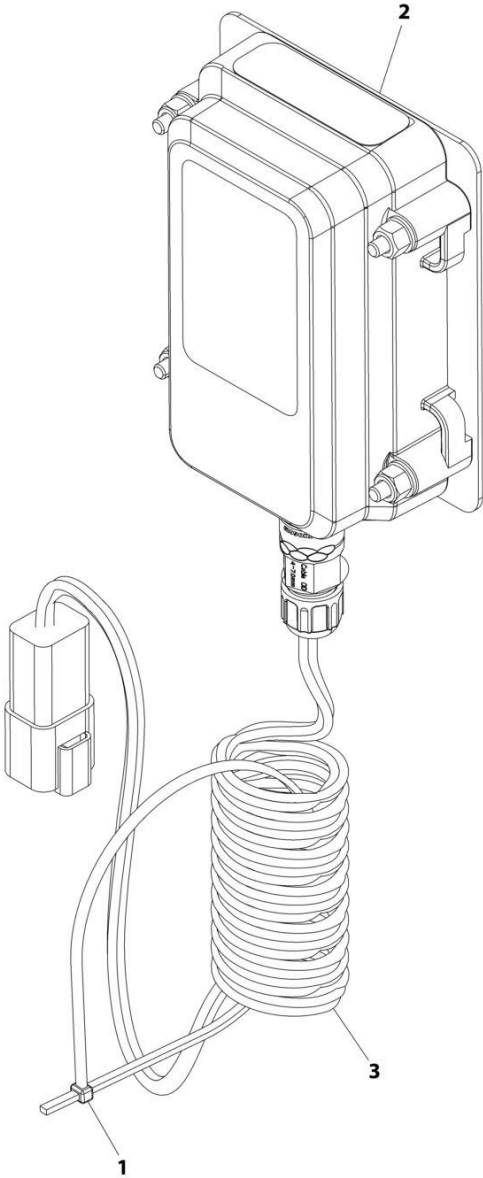
## SECTION 7 - ELECTRICAL

**FIGURE 7-27. CLEARSKY TELEMATICS INSTALLATION - 3G CANBUS (CE SPECS)**

ITEM	PART NUMBER	QTY	DESCRIPTION	REV
	1001270819	Ref	CLEARSKY TELEMATICS INSTALLATION	B
1	4240017	AR	Tie-Strap	
2	4460234	AR	Mount, Cable-Tie	
3	1001228954	1	Module, ClearSky	
4	1001236144	1	Module, Antena	
5	1001268803	1	Harness, ClearSky (See Separate Breakdown in this Section)	
6	3290605	1	Nut M6	
7	4811700	1	Washer M6	
8	5250612	1	Bolt M6 x 25	

**SECTION 7 - ELECTRICAL**

**FIGURE 7-28. CLEARSKY TELEMATICS INSTALLATION - 3-WIRE GT1030**



ART\_1001284654

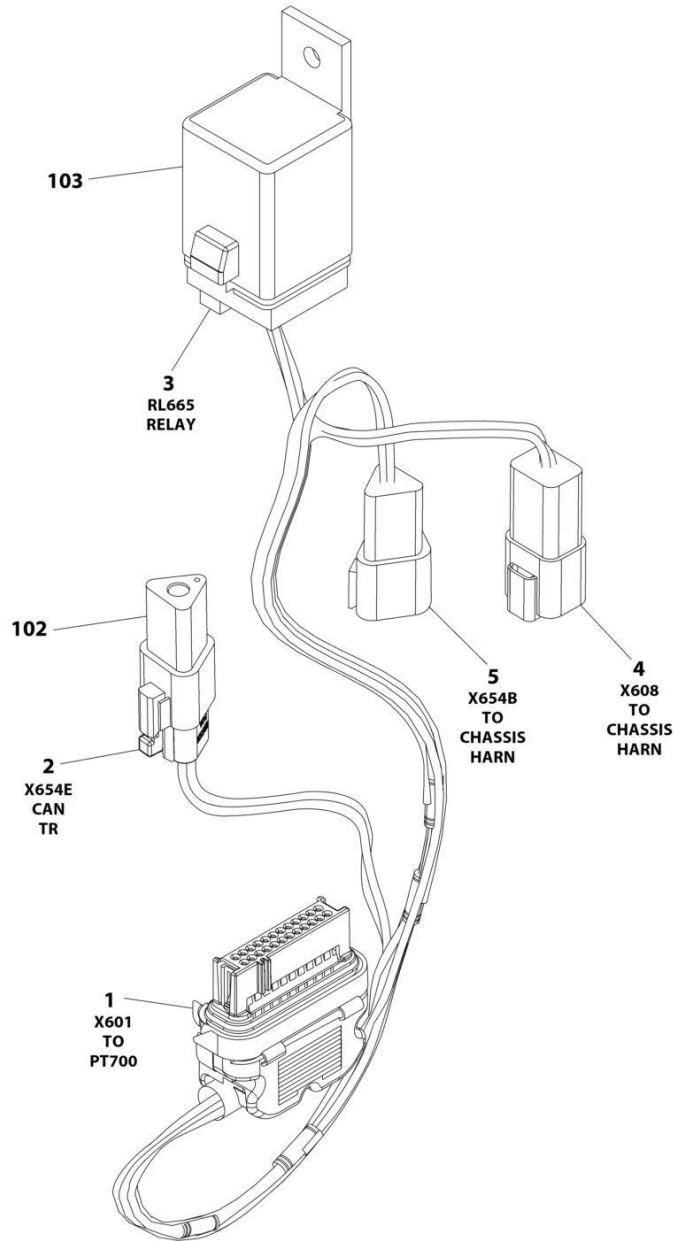
## SECTION 7 - ELECTRICAL

**FIGURE 7-28. CLEARSKY TELEMATICS INSTALLATION - 3-WIRE GT1030**

ITEM	PART NUMBER	QTY	DESCRIPTION	REV
	1001284654	Ref	CLEARSKY TELEMATICS INSTALLATION	A
1	4240099	AR	Tie-Strap	
2	1001272659	1	Module, ClearSky (GT1030)	
3	1001273012	1	Harness, ClearSky (See Separate Breakdown in this Section)	

# SECTION 7 - ELECTRICAL

## FIGURE 7-29. CLEARSKY TELEMATICS HARNESS - CANBUS



ART\_1001268803

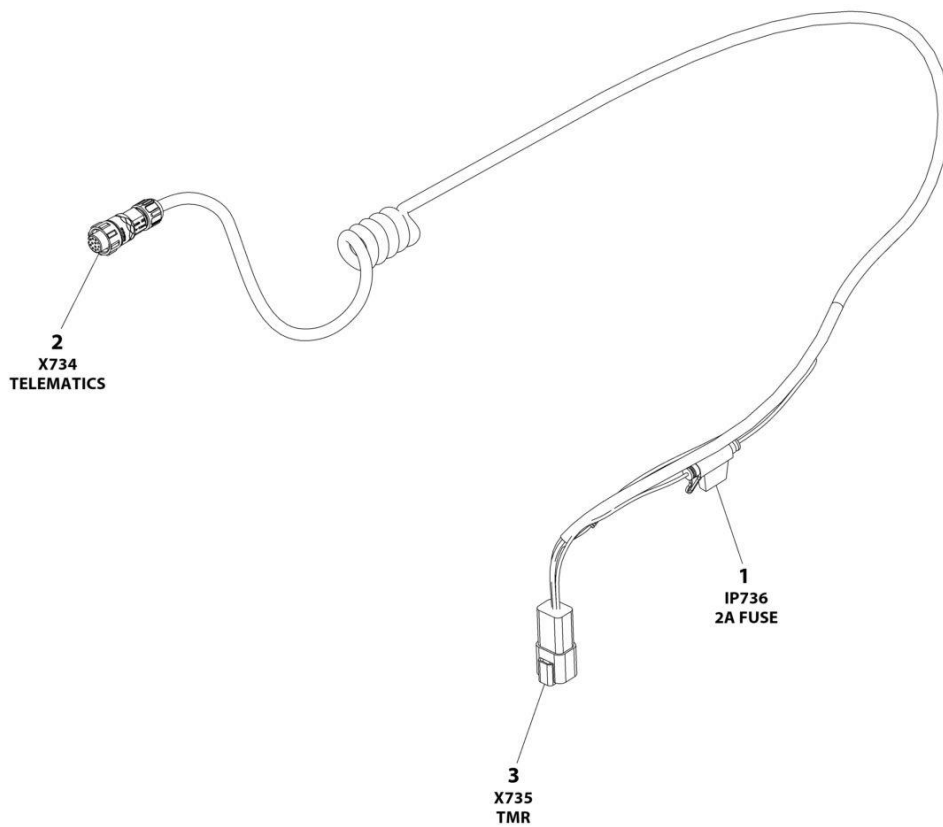
## SECTION 7 - ELECTRICAL

**FIGURE 7-29. CLEARSKY TELEMATICS HARNESS - CANBUS**

ITEM	PART NUMBER	QTY	DESCRIPTION	REV
	1001268803	Ref	CLEARSKY TELEMATICS HARNESS	B
1	1001226636	1	Connector - 24 Position	
1	1001226637	5	Terminal	
1	1001116731	19	Plug, Terminal	
2	1001116812	1	Plug, Male - 3 Position	
2	4460944	2	Socket, Female	
2	4460466	1	Plug, Terminal	
3	1001117057	1	Plug, Male - 4 Position	
3	1001116732	4	Terminal	
4	4460932	1	Receptacle, Female - 4 Position	
4	4460464	3	Pin, Male	
4	4460466	1	Plug, Terminal	
5	1001144147	1	Receptacle, Female - 3 Position	
5	4460943	2	Pin, Male	
5	4460466	1	Plug, Terminal	
103	4461070	1	Connector, Resistor	
103	1001097347	1	Relay	

# SECTION 7 - ELECTRICAL

## FIGURE 7-30. CLEARSKY TELEMATICS HARNESS - GT1030



ART\_1001273012

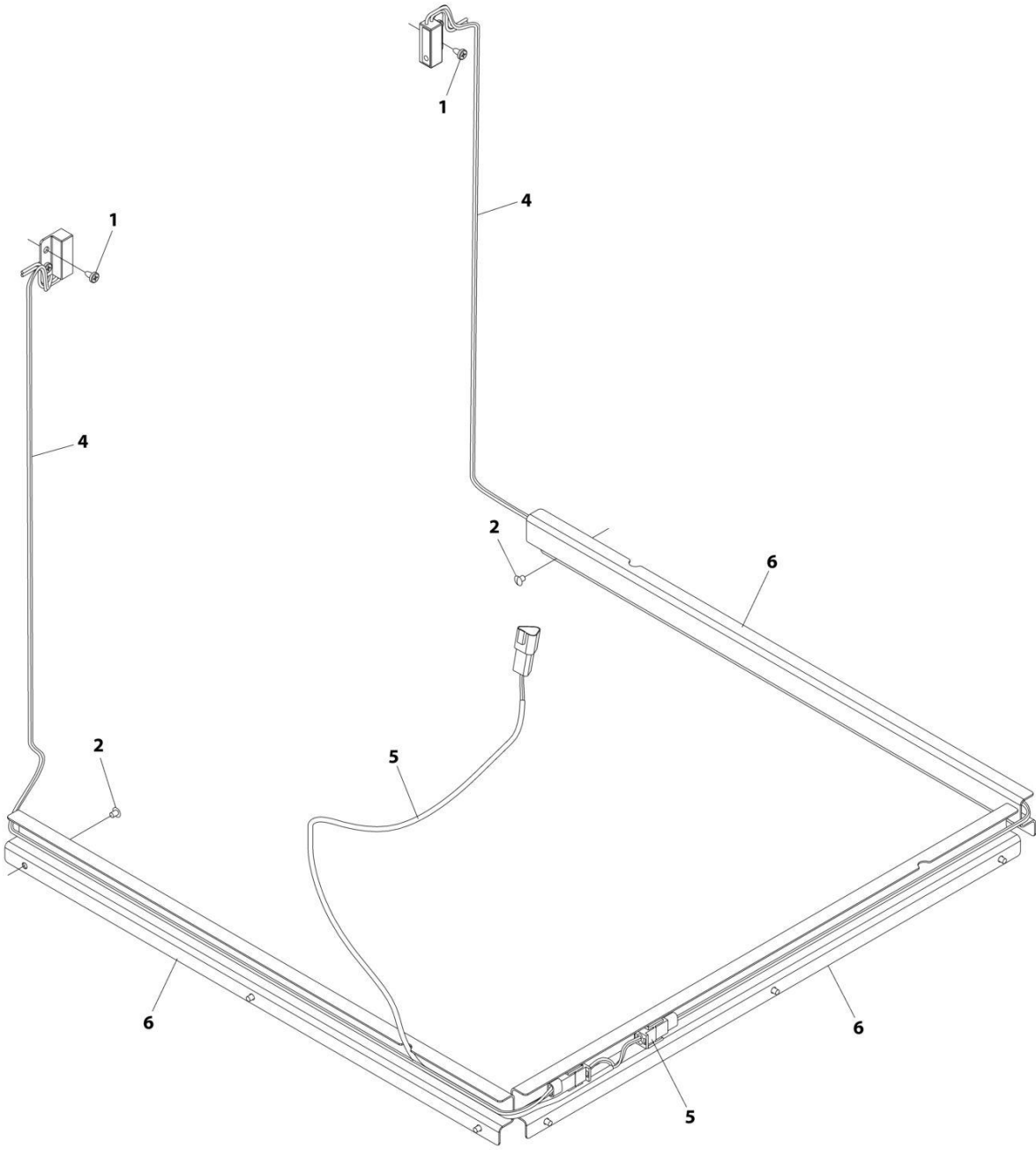
## SECTION 7 - ELECTRICAL

### FIGURE 7-30. CLEARSKY TELEMATICS HARNESS - GT1030

ITEM	PART NUMBER	QTY	DESCRIPTION	REV
	1001273012	Ref	CLEARSKY TELEMATICS HARNESS - GT1030	D
1	1001255901	1	Fuseholder	
1	1001196634	1	Fuse - 2Amp	
2	1001272997	1	Connector - 12 Position	
2		Ref	Terminal	
3	4460932	1	Receptacle, Female - 4 Position	
3	4460464	4	Pin, Male	

**SECTION 7 - ELECTRICAL**

**FIGURE 7-31. GATE ALARM HARNESS INSTALLATION**



ART\_1001281741

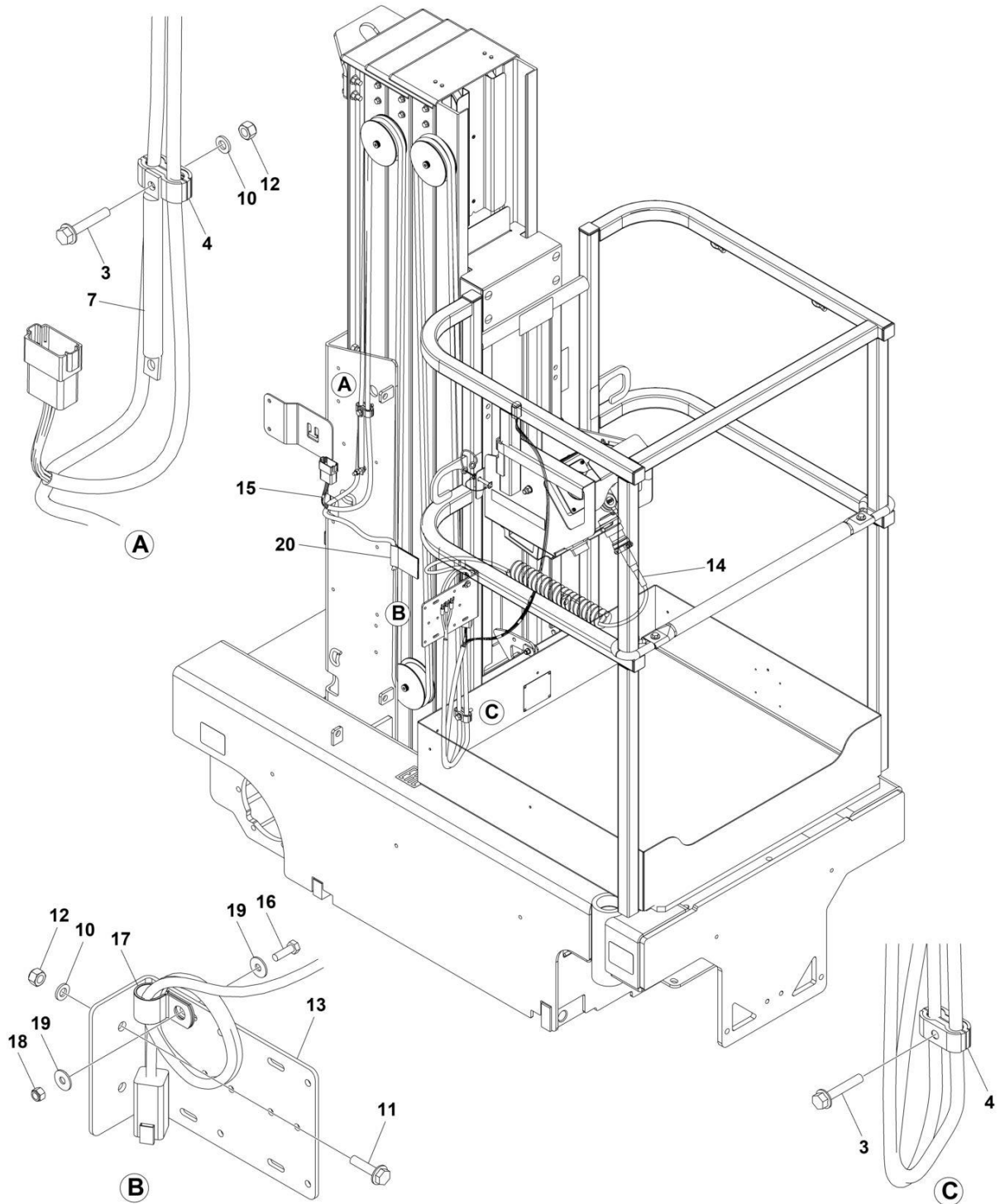
## SECTION 7 - ELECTRICAL

**FIGURE 7-31. GATE ALARM HARNESS INSTALLATION**

ITEM	PART NUMBER	QTY	DESCRIPTION	REV
	1001281741	Ref	GATE ALARM INSTALLATION	D
1	0751003	4	Screw	
2	3820019	9	Rivet	
3	4240017	AR	Tie - Strap (Not Shown)	
4	4360573	2	Sensor, Gate Alarm	
5	1001281742	1	Harness, Gate Alarm	
5	4460424	2	Receptacle, Female - 2 Position	
5	4460320	2	Plug, Male - 2 Position (At Switch)	
5	4460268	4	Socket, Female	
5	4460536	1	Receptacle, Female (At Platform Cable)	
5	4460464	2	Pin, Male	
5	4460466	1	Plug, Terminal	
6	1001281943	3	Panel , Harness Cover	
7	280013	940 mm/ 3 Feet	Conduit (Not Shown)	

# SECTION 7 - ELECTRICAL

## FIGURE 7-32. GROUND TO PLATFORM HARNESS INSTALLATION (WITHOUT GATE ALARM)



ART\_1001270038

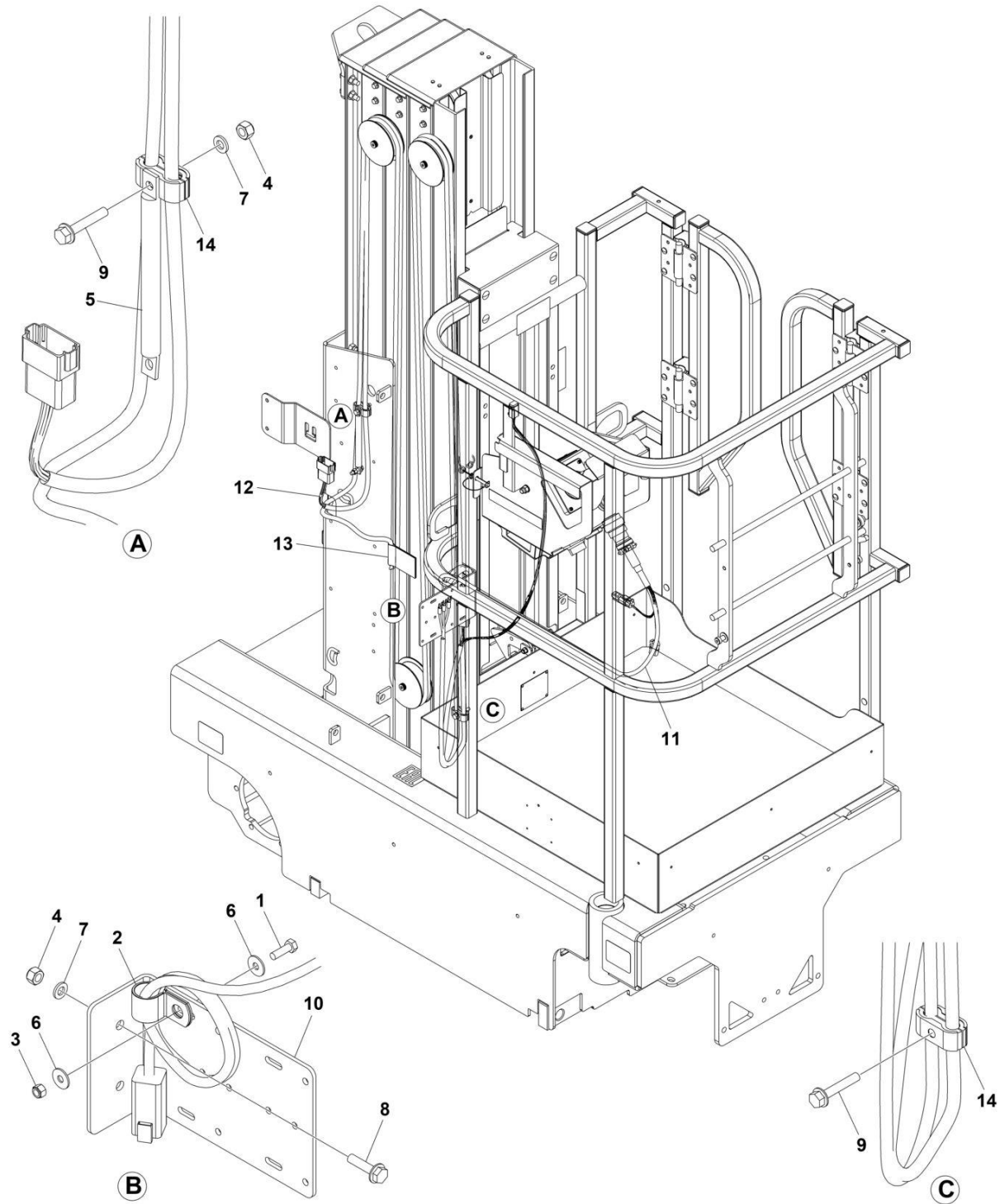
## SECTION 7 - ELECTRICAL

**FIGURE 7-32. GROUND TO PLATFORM HARNESS INSTALLATION (WITHOUT GATE ALARM)**

ITEM	PART NUMBER	QTY	DESCRIPTION	REV
	1001270038	Ref	GROUND TO PLATFORM HARNESS INSTALLATION (WITHOUT GATE ALARM)	E
3	0780615	2	Bolt M6 x 35	
4	1001277921	2	Clamp	
7	4160130	1	Spring, Extension	
10	4811700	3	Washer M6	
11	5250612	2	Bolt M6 x 25	
12	3290605	3	Nut M6	
13	1001096054	1	Plate, AC Box	
14	1001202184	1	Platform Harness (See Separate Breakdown in this Section)	
15	1001289804	1	Ground to Platform (Mast) Harness (See Separate Breakdown in this Section)	
16	0760508	1	Bolt M5 x 16	
17	1320061	1	Clamp	
18	3290505	1	Nut M5	
19	4811602	2	Washer M5	
20	1001289868	1	Decal	

# SECTION 7 - ELECTRICAL

## FIGURE 7-33. GROUND TO PLATFORM HARNESSES INSTALLATION (WITH GATE ALARM)



ART\_1001282098

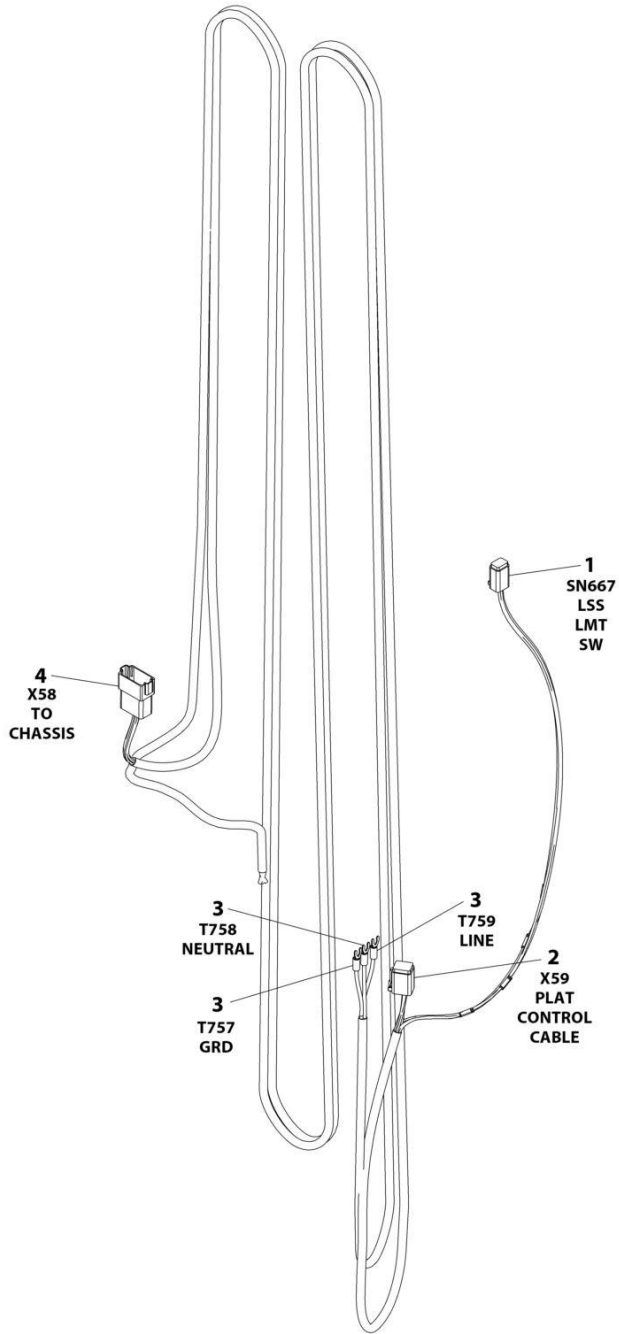
## SECTION 7 - ELECTRICAL

**FIGURE 7-33. GROUND TO PLATFORM HARNESES INSTALLATION (WITH GATE ALARM)**

ITEM	PART NUMBER	QTY	DESCRIPTION	REV
	1001282098	Ref	GROUND TO PLATFORM HARNESES INSTALLATION (WITH GATE ALARM)	C
1	0760508	1	Bolt M5 x 16	
2	1320061	1	Clamp	
3	3290505	1	Nut M5	
4	3290605	3	Nut M6	
5	4160130	1	Spring, Extension	
6	4811602	2	Washer M5	
7	4811700	3	Washer M6	
8	5250612	2	Bolt M6 x 25	
9	0780615	2	Bolt M6 x 35	
10	1001096054	1	Plate, AC Box	
11	1001241321	1	Platform Harness (See Separate Breakdown in this Section)	
12	1001289804	1	Ground to Platform (Mast) Harness (See Separate Breakdown in this Section)	
13	1001289868	1	Decal	
14	1001277921	2	Clamp	

# SECTION 7 - ELECTRICAL

## FIGURE 7-34. GROUND TO PLATFORM (MAST) HARNESS



ART\_1001289804

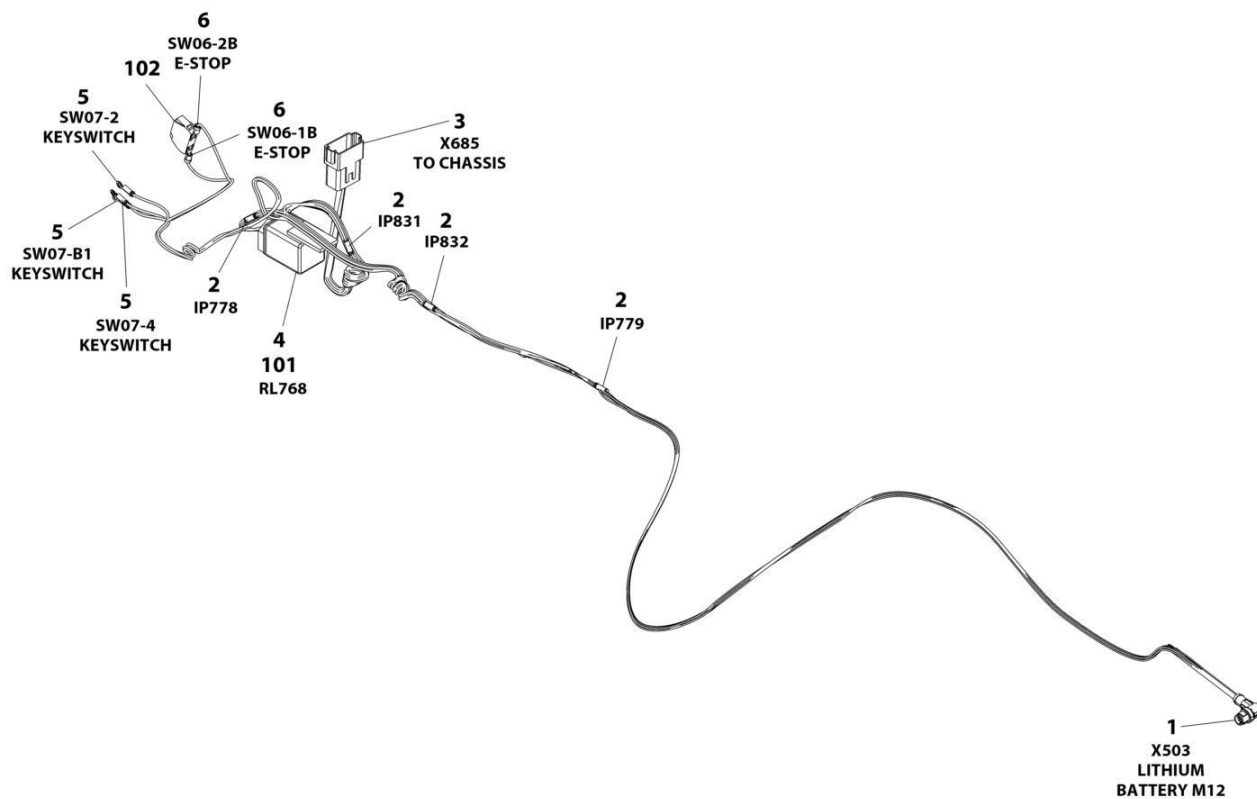
## SECTION 7 - ELECTRICAL

**FIGURE 7-34. GROUND TO PLATFORM (MAST) HARNESS**

ITEM	PART NUMBER	QTY	DESCRIPTION	REV
	1001289804	Ref	GROUND TO PLATFORM (MAST) HARNESS	A
1	4460884	1	Plug, Male - 4 Position	
1	4460465	4	Socket, Female	
2	4460894	1	Plug, Male - 6 Position	
2	4460465	4	Socket, Female	
2	4460944	2	Socket, Female	
3	1001152595	3	Terminal, Fork	
4	4460970	1	Receptacle, Female - 12 Position	
4	4460464	8	Plug, Male	
4	4460943	2	Plug, Male	
4	4460466	2	Plug, Terminal	

# SECTION 7 - ELECTRICAL

## FIGURE 7-35. LITHIUM BATTERY HARNESS



ART\_1001297273

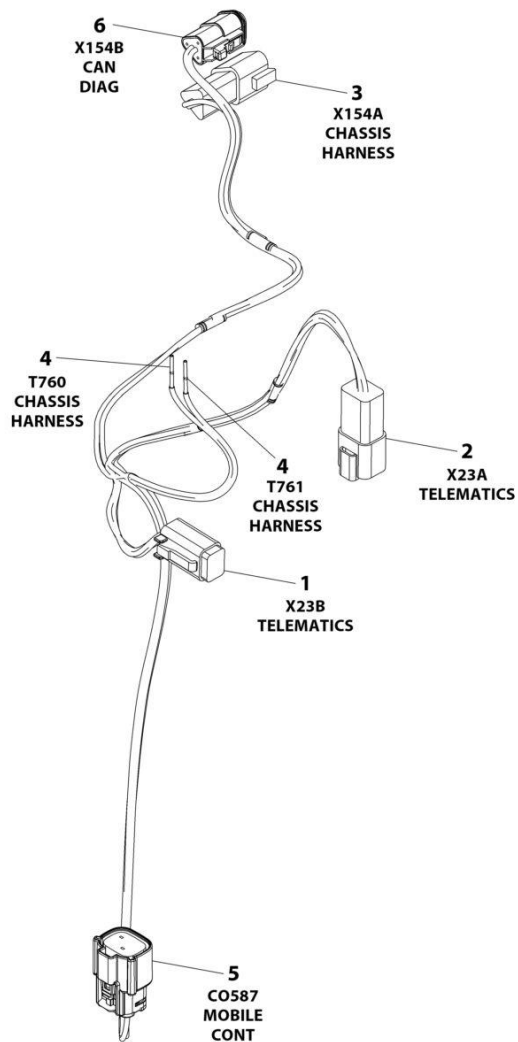
## SECTION 7 - ELECTRICAL

### FIGURE 7-35. LITHIUM BATTERY HARNESS

ITEM	PART NUMBER	QTY	DESCRIPTION	REV
	1001297273	Ref	LITHIUM BATTERY HARNESS	B
1	1001291287	1	Cable	
2		Ref	Diode	
3	4460970	1	Connector 2 Position	
3	4460464	9	Terminal	
3	4460943	2	Terminal	
3	4460466	1	Plug, Terminal	
4	1001117057	1	Connector 4 Position	
4	1001116732	4	Terminal	
5	4460247	2	Terminal, Ring	
6	4460183	2	Terminal, Fork	
101	1001097347	1	Relay	
102	1001291286	1	Contact	

# SECTION 7 - ELECTRICAL

## FIGURE 7-36. MOBILE CONTROL HARNESS



ART\_1001268802

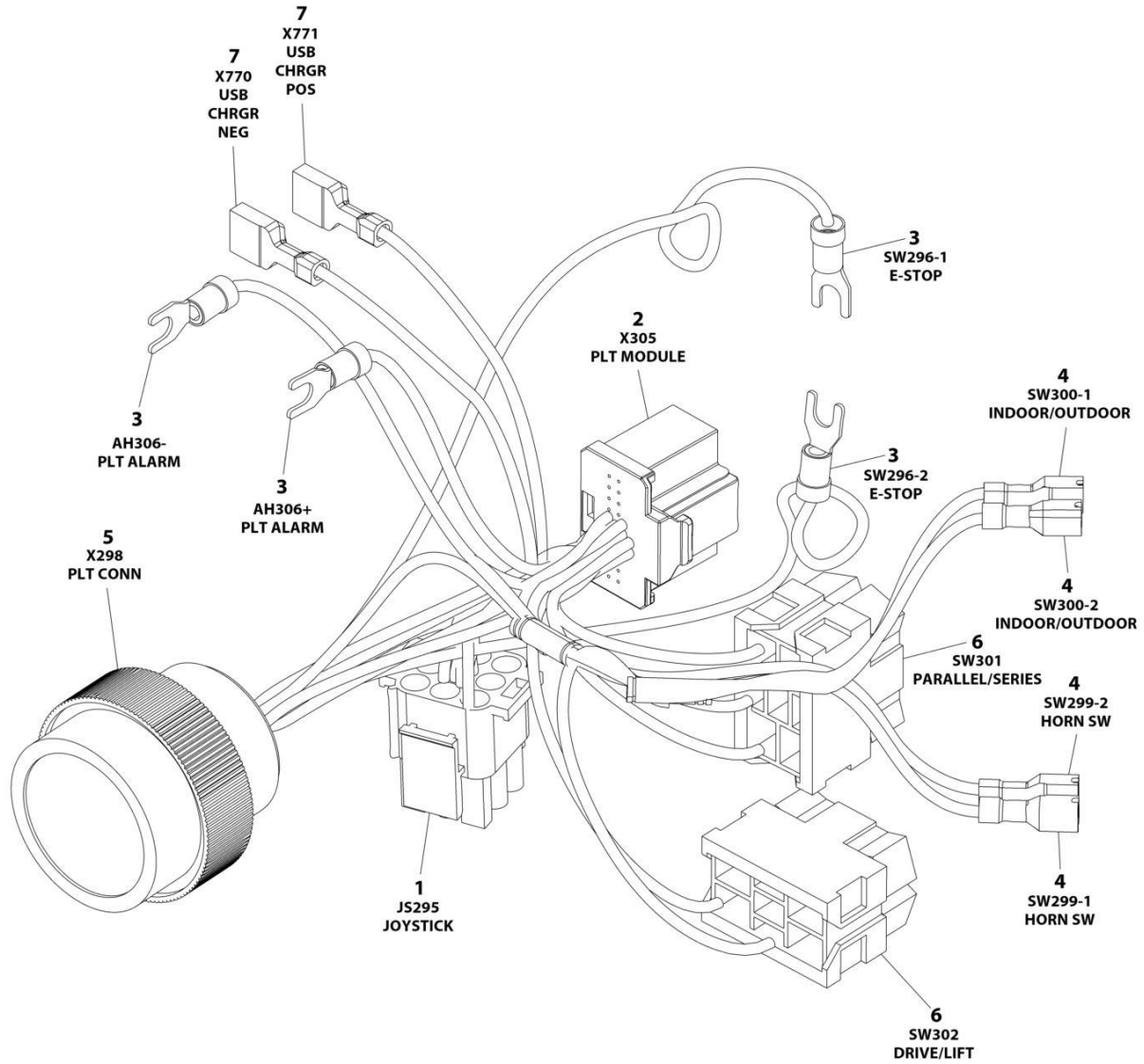
## SECTION 7 - ELECTRICAL

### FIGURE 7-36. MOBILE CONTROL HARNESS

ITEM	PART NUMBER	QTY	DESCRIPTION	REV
	1001268802	Ref	MOBILE CONTROL HARNESS	B
1	4460884	1	Plug, Male - 4 Position	
1	4460465	4	Socket, Female	
2	4460932	1	Receptacle, Female - 4 Position	
2	4460464	4	Pin, Male	
3	1001144147	1	Receptacle, Female - 3 Position	
3	4460943	2	Pin, Male	
3	4460466	1	Plug, Terminal	
4	4460746	2	Terminal	
5	1001205409	1	Connector - 8 Position	
5	1001162887	4	Terminal	
5	1001163340	4	Plug, Terminal	
6	1001116812	1	Plug, Male - 3 Position	
6	4460944	2	Socket, Female	
6	4460466	1	Plug, Terminal	

# SECTION 7 - ELECTRICAL

## FIGURE 7-37. PLATFORM CONSOLE HARNESS



ART\_1001200819

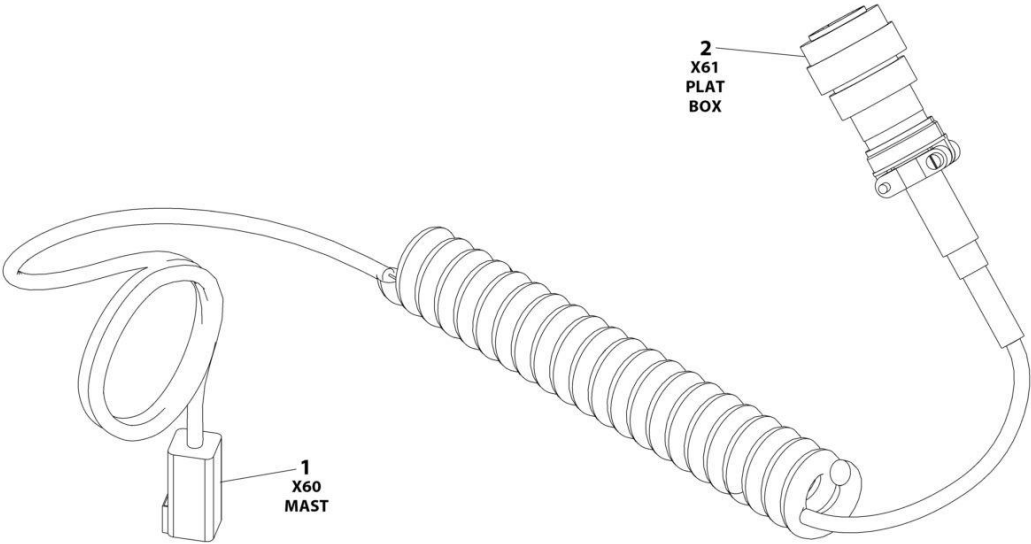
## SECTION 7 - ELECTRICAL

**FIGURE 7-37. PLATFORM CONSOLE HARNESS**

ITEM	PART NUMBER	QTY	DESCRIPTION	REV
	1001200819	Ref	PLATFORM CONTROL BOX HARNESS	F
1	4460265	1	Plug, Male - 9 Position	
1	4460267	6	Pin, Male	
2	1001212036	1	Connector - 20 Position	
2	1001212035	16	Terminal	
3	4460183	4	Terminal, Fork	
4	1001201885	4	Terminal with Cover	
5	4461016	1	Connector - 14 Position	
5	4460464	8	Pin, Male	
5	4460466	6	Plug, Terminal	
6	4460418	2	Connector - 6 Position	
6	1001159186	5	Terminal	
7	1001194421	2	Terminal	

**SECTION 7 - ELECTRICAL**

**FIGURE 7-38. PLATFORM HARNESS (WITH COIL CABLE)**



ART\_1001202184

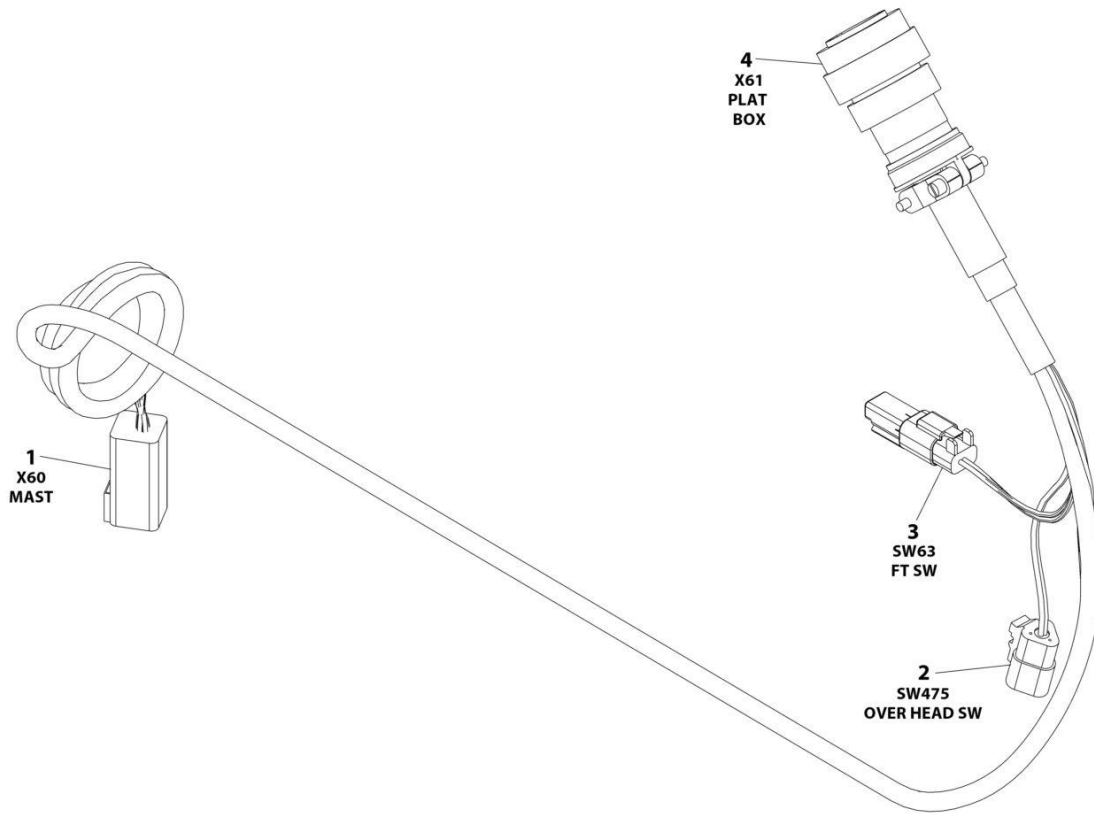
## SECTION 7 - ELECTRICAL

### FIGURE 7-38. PLATFORM HARNESS (WITH COIL CABLE)

ITEM	PART NUMBER	QTY	DESCRIPTION	REV
	1001202184	Ref	PLATFORM HARNESS	D
1	4460899	1	Receptacle, Female - 6 Position (At Mast)	
1	4460464	4	Pin, Male	
1	4460943	2	Pin, Male	
2	4460754	1	Connector - 14 Position (At Controls)	
2	4460465	6	Socket, Female	
2	4460944	2	Plug, Terminal	
2	4460466	6	Plug, Terminal	

# SECTION 7 - ELECTRICAL

## FIGURE 7-39. PLATFORM HARNESS (WITHOUT COIL CABLE)



ART\_1001241321

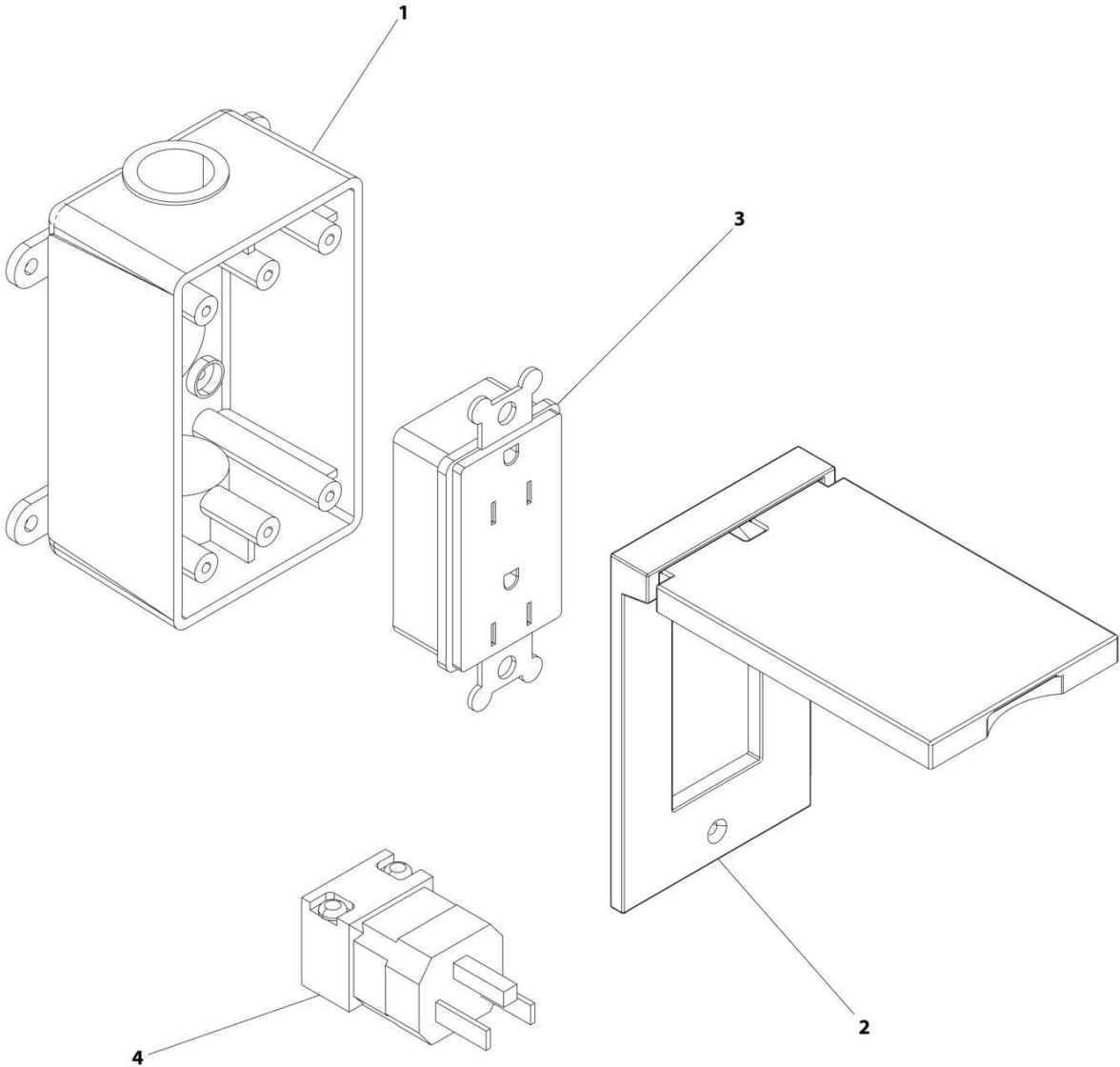
## SECTION 7 - ELECTRICAL

**FIGURE 7-39. PLATFORM HARNESS (WITHOUT COIL CABLE)**

ITEM	PART NUMBER	QTY	DESCRIPTION	REV
	1001241321	Ref	PLATFORM HARNESS	C
1	4460899	1	Receptacle, Female - 6 Position (At Mast)	
1	4460464	4	Pin, Male	
1	4460943	2	Pin, Male	
2	4460539	1	Plug, Male - 2 Position	
2	4460465	2	Socket, Female	
3	4460891	1	Plug, Male - 2 Position	
3	4460465	2	Socket, Female	
3	4460464	2	Pin, Male (Jumper)	
4	4460754	1	Connector - 14 Position	
4	4460465	6	Socket, Female	
4	4460944	2	Socket, Female	
4	4460466	6	Plug, Terminal	

**SECTION 7 - ELECTRICAL**

**FIGURE 7-40. RECEPTACLE BOX KIT - 110V GFI**



ART\_1001096767

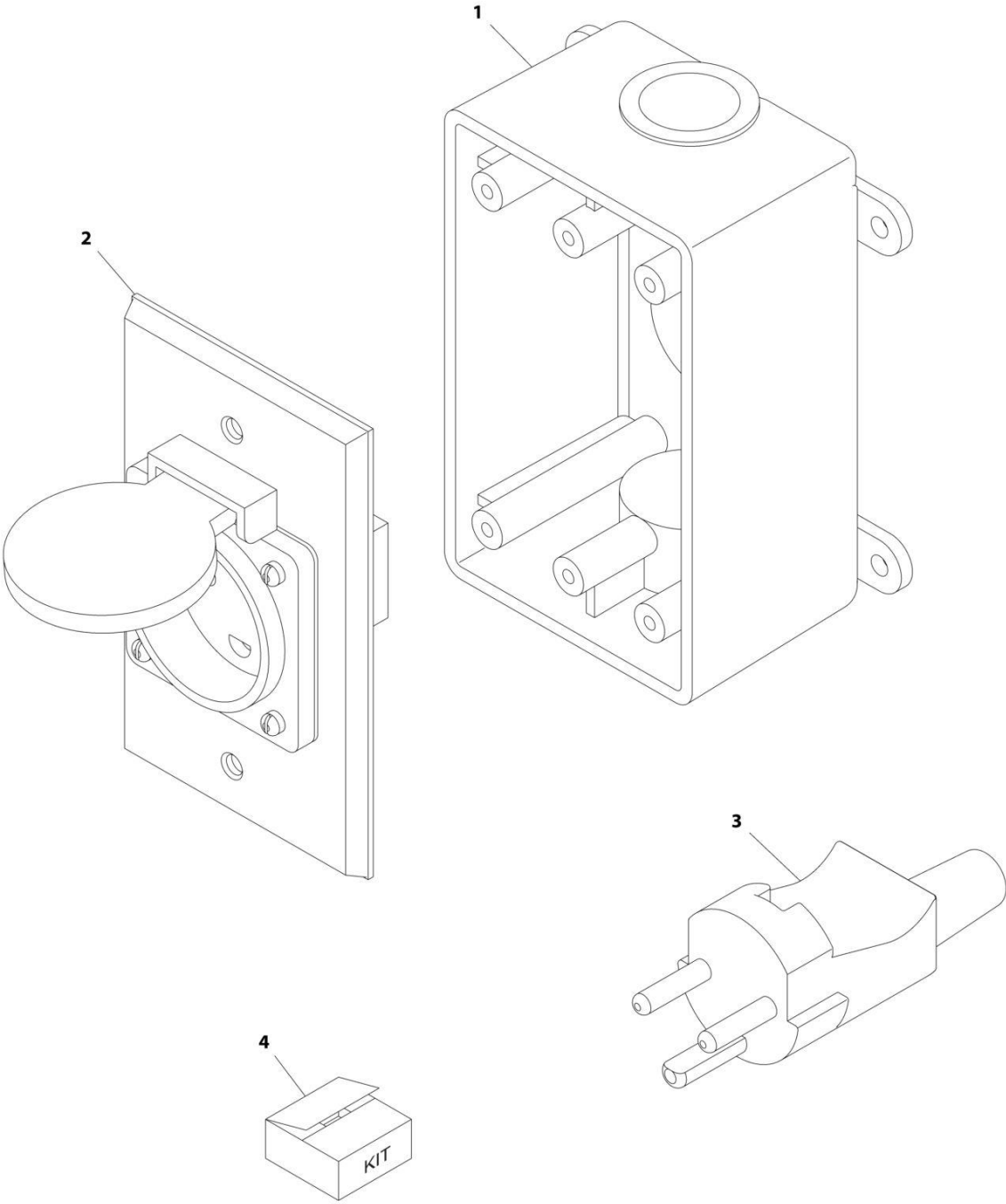
## SECTION 7 - ELECTRICAL

**FIGURE 7-40. RECEPTACLE BOX KIT - 110V GFI**

ITEM	PART NUMBER	QTY	DESCRIPTION	REV
	1001096767	Ref	RECEPTACLE BOX KIT - 110V GFI	B
1	0861731	1	Box, Receptacle	
2	1001110873	1	Cover, Receptacle	
3	4460346	1	Receptacle	
4	4460549	1	Plug	

**SECTION 7 - ELECTRICAL**

**FIGURE 7-41. RECEPTACLE BOX KIT - 220V CEE7 KEYED GROUND**



ART\_0275454

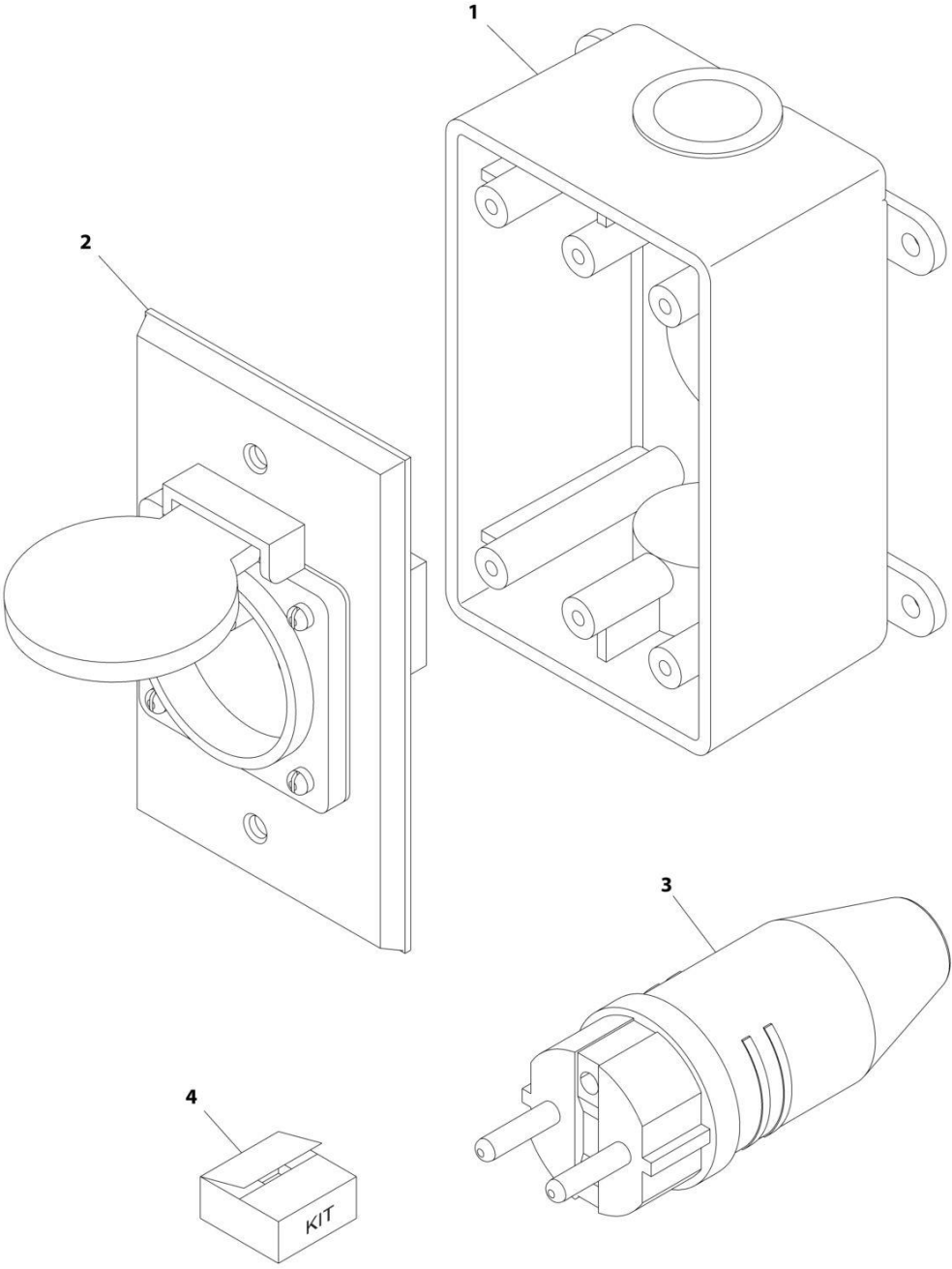
## SECTION 7 - ELECTRICAL

### FIGURE 7-41. RECEPTACLE BOX KIT - 220V CEE7 KEYED GROUND

ITEM	PART NUMBER	QTY	DESCRIPTION	REV
	0275454	Ref	RECEPTACLE BOX KIT - 220V AFSINT 107	B
1	0861731	1	Box, Switch	
2	4461246	1	Receptacle	
3	4461249	1	Plug, Male	
4	1001100346	1	Plug and Socket Kit (Includes Items 1-3 and Female Plug p/n 4461250)	

**SECTION 7 - ELECTRICAL**

**FIGURE 7-42. RECEPTACLE BOX KIT - 220V CEE7 POST GROUND**



ART\_0275452-C

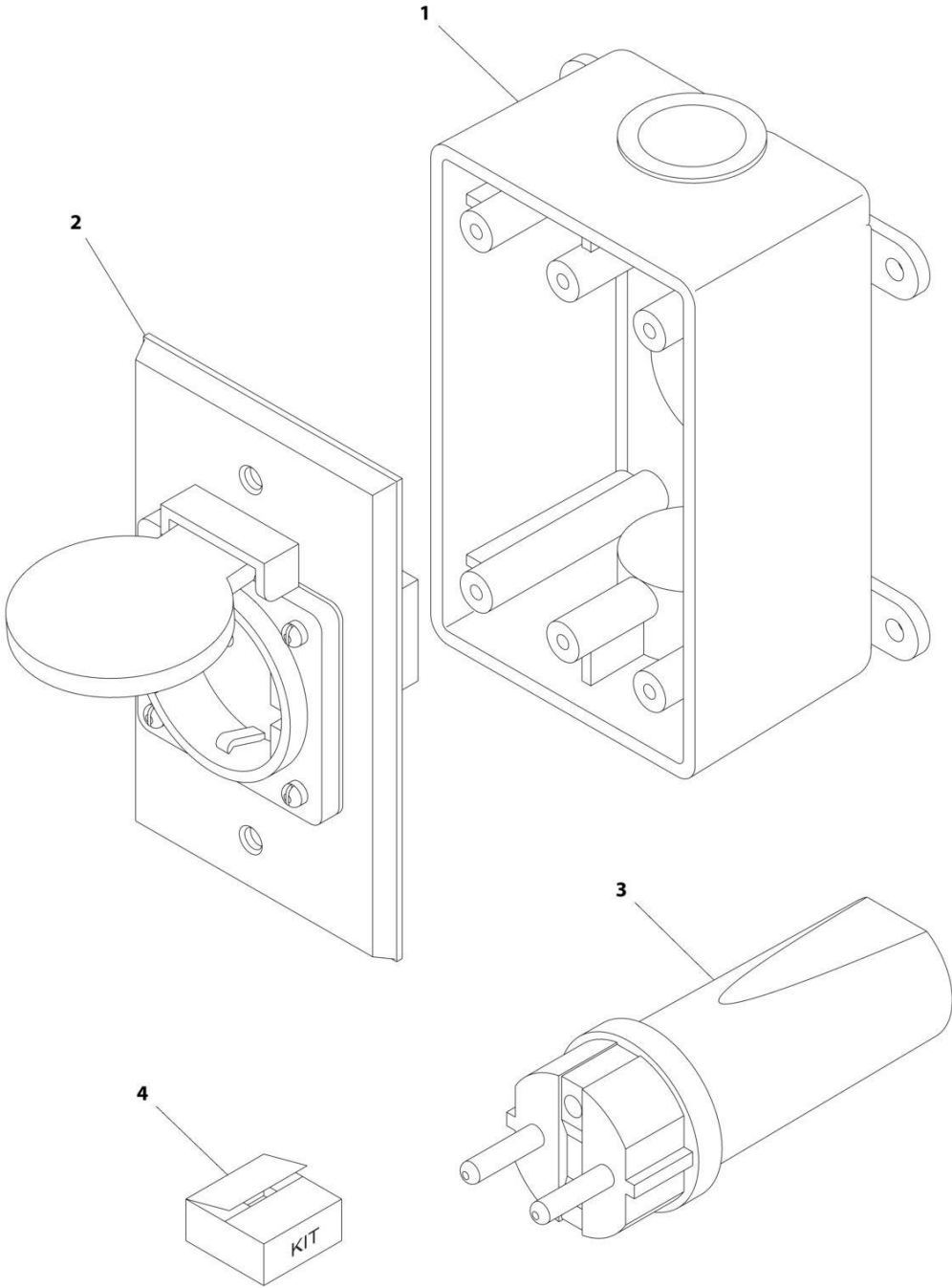
## SECTION 7 - ELECTRICAL

**FIGURE 7-42. RECEPTACLE BOX KIT - 220V CEE7 POST GROUND**

ITEM	PART NUMBER	QTY	DESCRIPTION	REV
	0275452	Ref	RECEPTACLE BOX KIT - 220V CEE7 POST GROUND 2IN X 4IN BOX	C
1	0861731	1	Box, Switch	
2	4461244	1	Receptacle	
3	4461205	1	Plug, Male	
4	1001100345	1	Plug and Socket Kit (Includes Items 1-3 and Female Plug p/n 4461203)	

**SECTION 7 - ELECTRICAL**

**FIGURE 7-43. RECEPTACLE BOX KIT - 220V CEE7 SIDE GROUND**



ART\_0275453

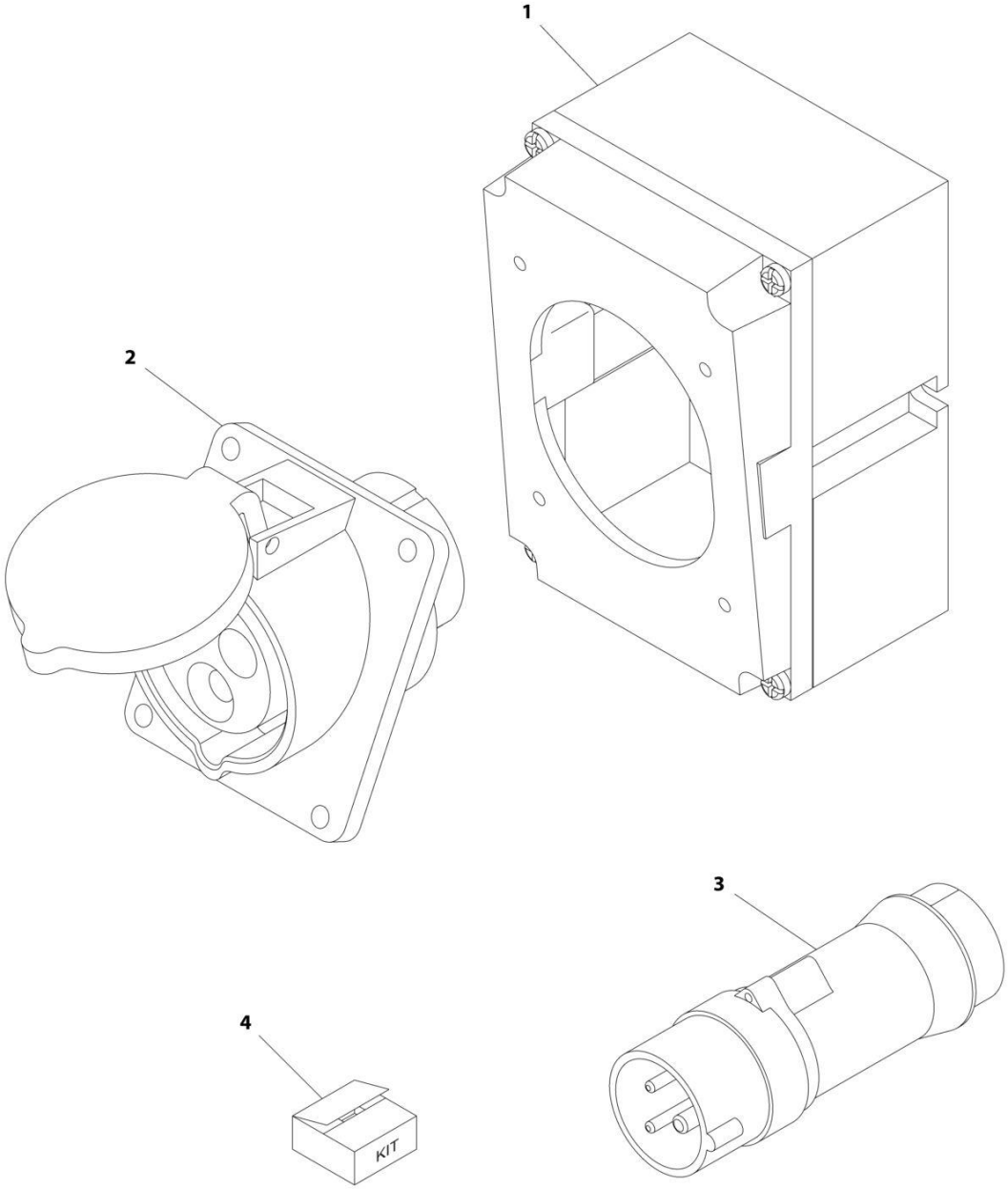
## SECTION 7 - ELECTRICAL

**FIGURE 7-43. RECEPTACLE BOX KIT - 220V CEE7 SIDE GROUND**

ITEM	PART NUMBER	QTY	DESCRIPTION	REV
	0275453	Ref	RECEPTACLE BOX KIT - 220V CEE7 SIDE GROUND	B
1	0861731	1	Box, Switch	
2	4461245	1	Receptacle	
3	4461205	1	Plug, Male	
4	1001100347	1	Plug and Socket Kit (Includes Items 1-3 and Female Plug p/n 4461206)	

**SECTION 7 - ELECTRICAL**

**FIGURE 7-44. RECEPTACLE BOX KIT - 220V IEC BLUE**



ART\_0275217

## SECTION 7 - ELECTRICAL

### FIGURE 7-44. RECEPTACLE BOX KIT - 220V IEC BLUE

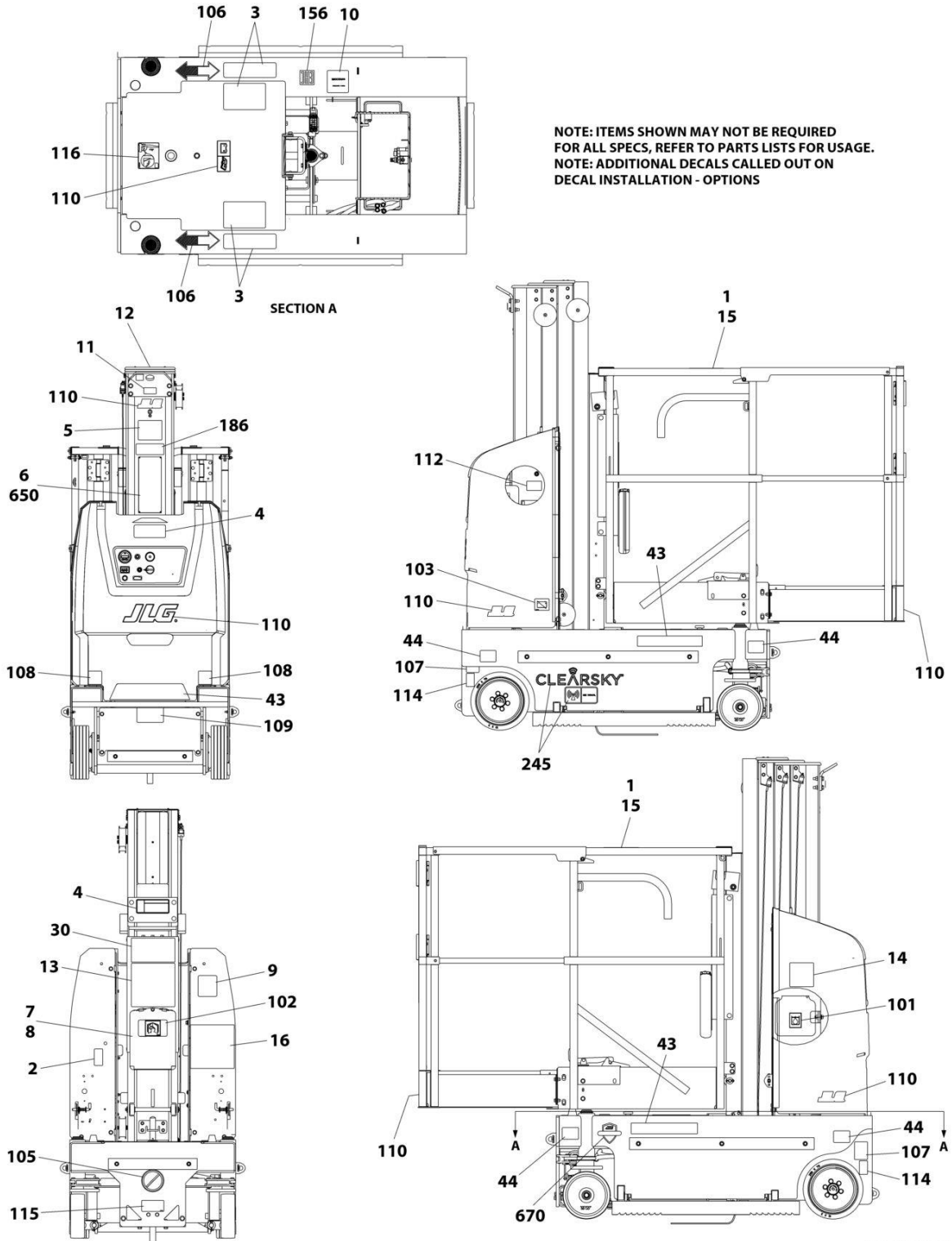
ITEM	PART NUMBER	QTY	DESCRIPTION	REV
	0275217	Ref	RECEPTACLE BOX KIT - 220V IEC BLUE	B
1	0861781	1	Box, Switch	
2	4461201	1	Receptacle	
3	4461199	1	Plug, Male	
4	1001100342	1	Plug and Socket Kit (Includes Items 1-3 and Female Plug p/n 4461200)	



**SECTION 8 - DECALS**

# SECTION 8 - DECALS

## FIGURE 8-1. DECALS INSTALLATION (ANSI/CSA SPECS) (ENGLISH LANGUAGE)



ART\_1001269851

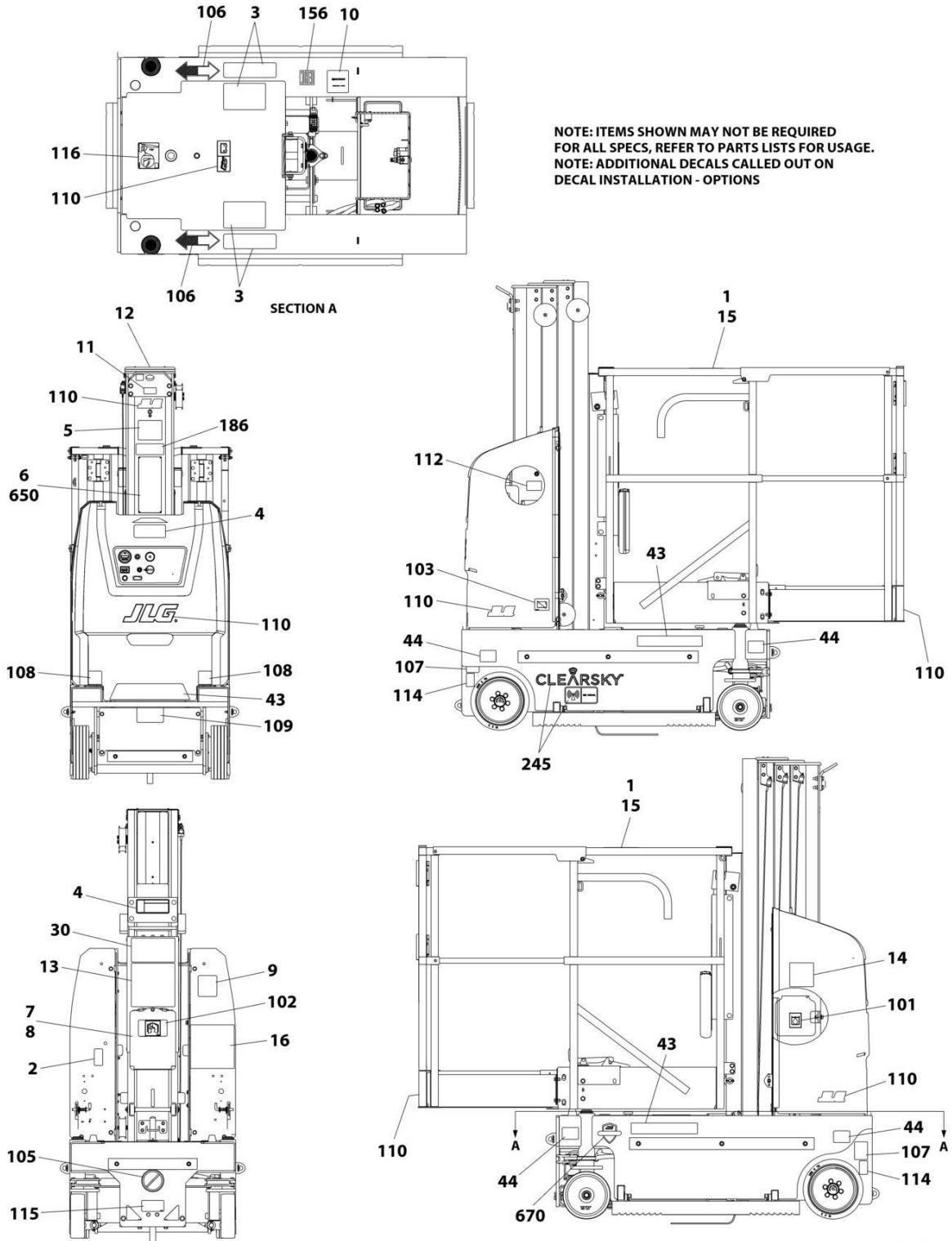
## SECTION 8 - DECALS

**FIGURE 8-1. DECALS INSTALLATION (ANSI/CSA SPECS) (ENGLISH LANGUAGE)**

ITEM	PART NUMBER	QTY	DESCRIPTION	REV
	1001269851	Ref	DECAL INSTALLATION (ANSI/CSA SPECS) (ENGLISH LANGUAGE)	D
	1001269850	Ref	DECAL CHART DRAWING	K
1	1703684	1	Decal - Control Box Location	
2	1703785	1	Decal - Warning Fire Hazard	
3	1703786	2	Decal - Crushing Hazard	
4	1706832	2	Decal - Danger Electrocutation	
6	3820001	4	Rivet	
7	3820032	3	Rivet	
8	8990147	1	Box, Manual	
9	1001131273	1	Decal - Patent	
10	1001223055	1	Decal - Yearly Inspection	
11	1001228370	1	Decal - Ices (Can) -001	
12	1001231801	1	Decal - Warning Prop 65	
13	1001272920	1	Decal - Warning/Instruction	
14	N.S.S.	NSS	Decal - Bar Code (Note: Not Available For Purchase)	
15	4420062	6 in /15 cm	Tape	
100	1001270445	1	Decal Kit - Common	C
101	1701504	1	Decal - Hydraulic Oil	
102	1701640	1	Decal - Manual	
103	1702155	1	Decal - Battery Disconnect	
105	1703072	1	Decal - No Forklift	
106	1703687	2	Decal - Direction Arrow	
107	1703814	2	Decal - Tie Down	
108	1703817	2	Decal - Fork Lift	
109	1705016	1	Decal - Manual Descent	
110	1001261105	1	Decal - Battery/Charger Service	
112	1001269897	1	Decal - Fuse Holder	
114	1703455	2	Decal - Crane Hook	
115	1001162864	1	Decal - Lift Point/Tie Down	
116	1001280548	1	Decal Safety - Prop	

# SECTION 8 - DECALS

## FIGURE 8-2. DECALS INSTALLATION (BRAZIL SPECS) (PORTUGUESE/SPANISH LANGUAGES)



NOTE: ITEMS SHOWN MAY NOT BE REQUIRED FOR ALL SPECS, REFER TO PARTS LISTS FOR USAGE.  
 NOTE: ADDITIONAL DECALS CALLED OUT ON DECAL INSTALLATION - OPTIONS

ART\_1001269855

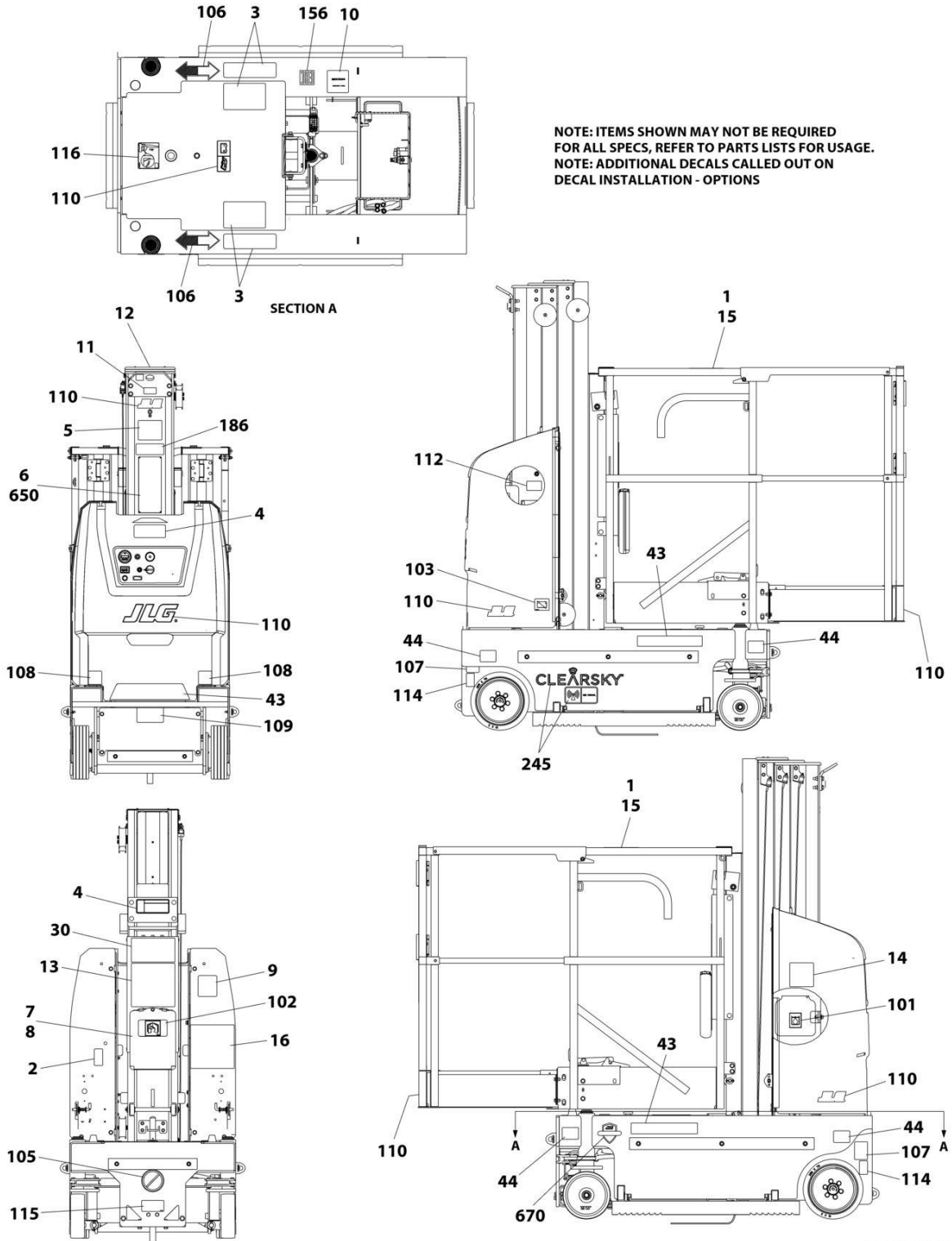
## SECTION 8 - DECALS

**FIGURE 8-2. DECALS INSTALLATION (BRAZIL SPECS) (PORTUGUESE/SPANISH LANGUAGES)**

ITEM	PART NUMBER	QTY	DESCRIPTION	REV
	1001269855	Ref	DECAL INSTALLATION (BRAZIL SPECS) (PORTUGUESE/SPANISH LANGUAGES)	B
	1001269850	Ref	DECAL CHART DRAWING	K
1	1703686	1	Decal - Control Box Location	
2	1704023	1	Decal - Warning Fire Hazard	
3	1704024	2	Decal - Crushing Hazard	
4	1001282021	2	Decal - Danger Electrocution	
6	3820001	4	Rivet	
7	3820032	3	Rivet	
8	8990147	1	Box, Manual	
10	1001224052	1	Decal - Yearly Inspection	
13	1001279430	1	Decal - Warning/Instruction	
14	N.S.S.	NSS	Decal - Bar Code (Note: Not Available For Purchase)	
15	4420062	6 in /15 cm	Tape	
100	1001270445	1	Decal Kit - Common	C
101	1701504	1	Decal - Hydraulic Oil	
102	1701640	1	Decal - Manual	
103	1702155	1	Decal - Battery Disconnect	
105	1703072	1	Decal - No Forklift	
106	1703687	2	Decal - Direction Arrow	
107	1703814	2	Decal - Tie Down	
108	1703817	2	Decal - Fork Lift	
109	1705016	1	Decal - Manual Descent	
110	1001261105	1	Decal - Battery/Charger Service	
112	1001269897	1	Decal - Fuse Holder	
114	1703455	2	Decal - Crane Hook	
115	1001162864	1	Decal - Lift Point/Tie Down	
116	1001280548	1	Decal Safety - Prop	

# SECTION 8 - DECALS

## FIGURE 8-3. DECALS INSTALLATION (CE SPECS) (ALL LANGUAGES)



ART\_1001269853

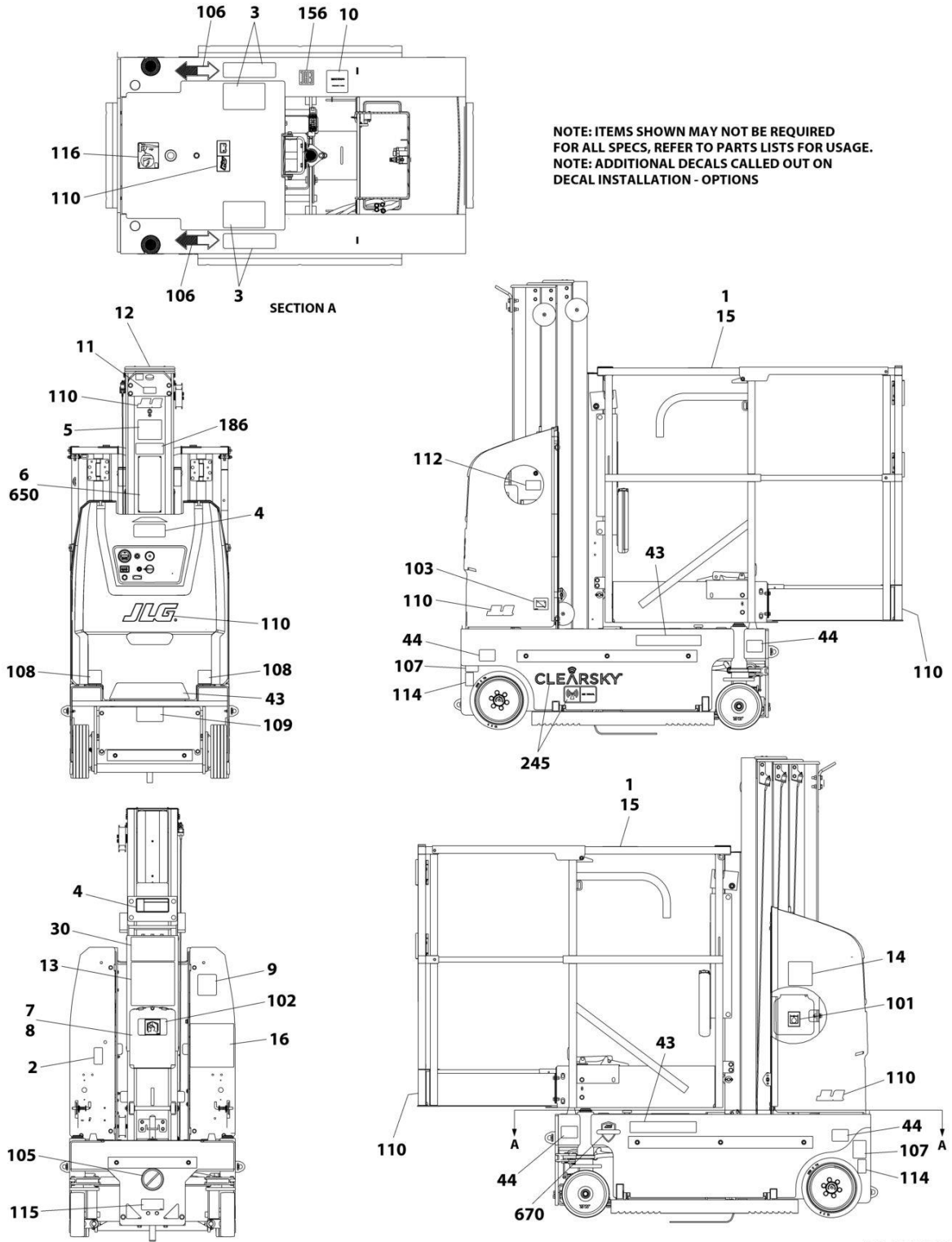
## SECTION 8 - DECALS

**FIGURE 8-3. DECALS INSTALLATION (CE SPECS) (ALL LANGUAGES)**

ITEM	PART NUMBER	QTY	DESCRIPTION	REV
	1001269853	Ref	DECAL INSTALLATION (CE SPECS) (ALL LANGUAGE)	B
	1001269850	Ref	DECAL CHART DRAWING	H
1	1705959	1	Decal - Control Box Location	
2	1705803	1	Decal - Warning Fire Hazard	
3	1705099	2	Decal - Crushing Hazard	
4	1705802	2	Decal - Danger Electrocution	
6	3820001	4	Rivet	
7	3820032	3	Rivet	
8	8990147	1	Box, Manual	
14	N.S.S.	NSS	Decal - Bar Code (Note: Not Available For Purchase)	
15	4420062	6 in /15 cm	Tape	
100	1001270445	1	Decal Kit - Common	C
101	1701504	1	Decal - Hydraulic Oil	
102	1701640	1	Decal - Manual	
103	1702155	1	Decal - Battery Disconnect	
105	1703072	1	Decal - No Forklift	
106	1703687	2	Decal - Direction Arrow	
107	1703814	2	Decal - Tie Down	
108	1703817	2	Decal - Fork Lift	
109	1705016	1	Decal - Manual Descent	
110	1001261105	1	Decal - Battery/Charger Service	
112	1001269897	1	Decal - Fuse Holder	
114	1703455	2	Decal - Crane Hook	
115	1001162864	1	Decal - Lift Point/Tie Down	
116	1001280548	1	Decal Safety - Prop	

# SECTION 8 - DECALS

## FIGURE 8-4. DECALS INSTALLATION (CHINA SPECS) (CHINA/ENGLISH LANGUAGES)



ART\_1001269856

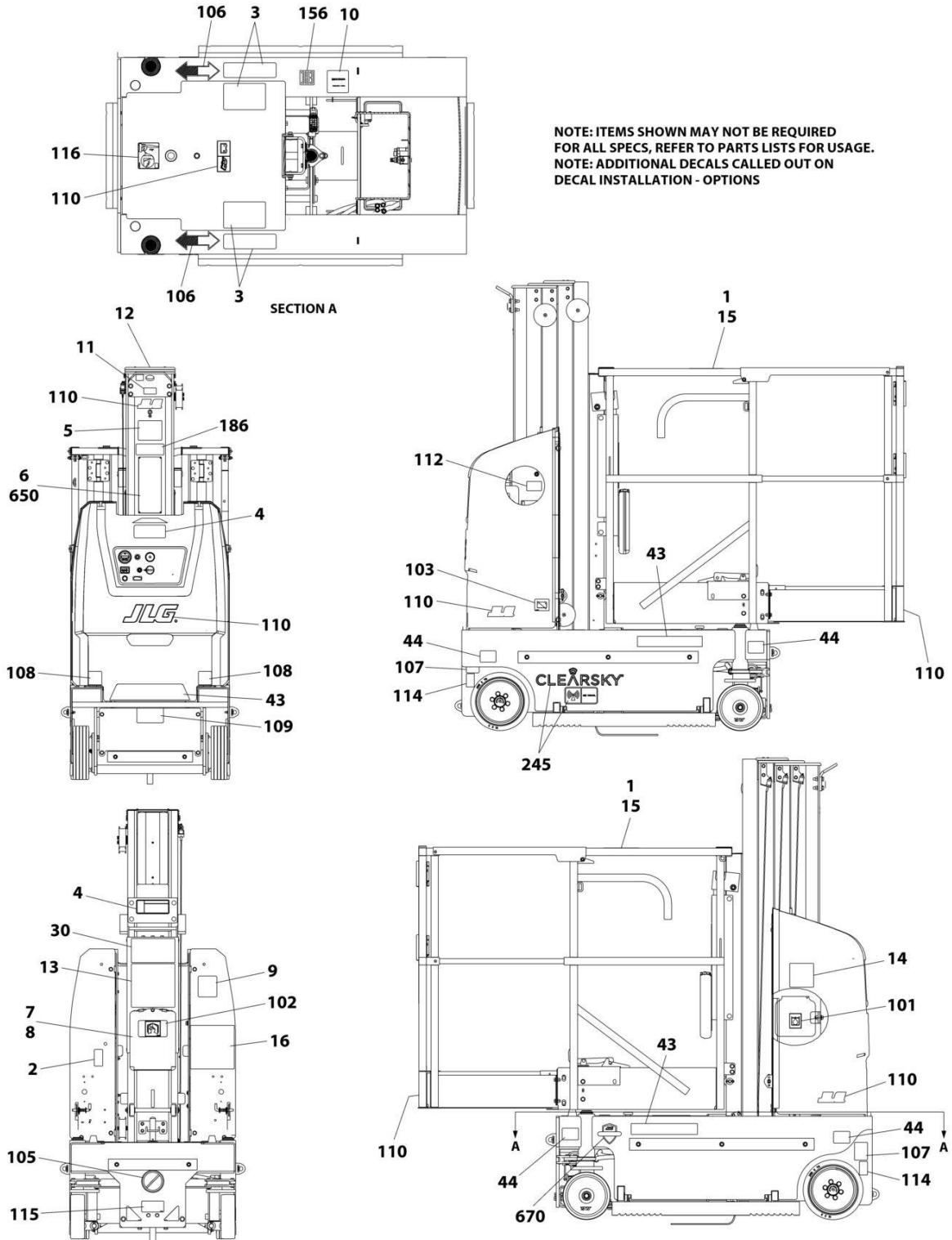
## SECTION 8 - DECALS

**FIGURE 8-4. DECALS INSTALLATION (CHINA SPECS) (CHINA/ENGLISH LANGUAGES)**

ITEM	PART NUMBER	QTY	DESCRIPTION	REV
	1001269856	Ref	DECAL INSTALLATION (CHINA SPECS) (CHINA/ENGLISH LANGUAGES)	B
	1001269850	Ref	DECAL CHART DRAWING	K
1	1703751	1	Decal - Control Box Location	
2	1704079	1	Decal - Warning Fire Hazard	
3	1704081	2	Decal - Crushing Hazard	
4	1001282022	2	Decal - Danger Electrocutation	
6	3820001	4	Rivet	
7	3820032	3	Rivet	
8	8990147	1	Box, Manual	
10	1001224051	1	Decal - Yearly Inspection	
13	1001279431	1	Decal - Warning/Instruction	
14	N.S.S.	NSS	Decal - Bar Code (Note: Not Available For Purchase)	
15	4420062	6 in /15 cm	Tape	
100	1001270445	1	Decal Kit - Common	C
101	1701504	1	Decal - Hydraulic Oil	
102	1701640	1	Decal - Manual	
103	1702155	1	Decal - Battery Disconnect	
105	1703072	1	Decal - No Forklift	
106	1703687	2	Decal - Direction Arrow	
107	1703814	2	Decal - Tie Down	
108	1703817	2	Decal - Fork Lift	
109	1705016	1	Decal - Manual Descent	
110	1001261105	1	Decal - Battery/Charger Service	
112	1001269897	1	Decal - Fuse Holder	
114	1703455	2	Decal - Crane Hook	
115	1001162864	1	Decal - Lift Point/Tie Down	
116	1001280548	1	Decal Safety - Prop	

# SECTION 8 - DECALS

## FIGURE 8-5. DECALS INSTALLATION (CSA SPECS) (ENGLISH/FRENCH LANGUAGES)



ART\_1001269857

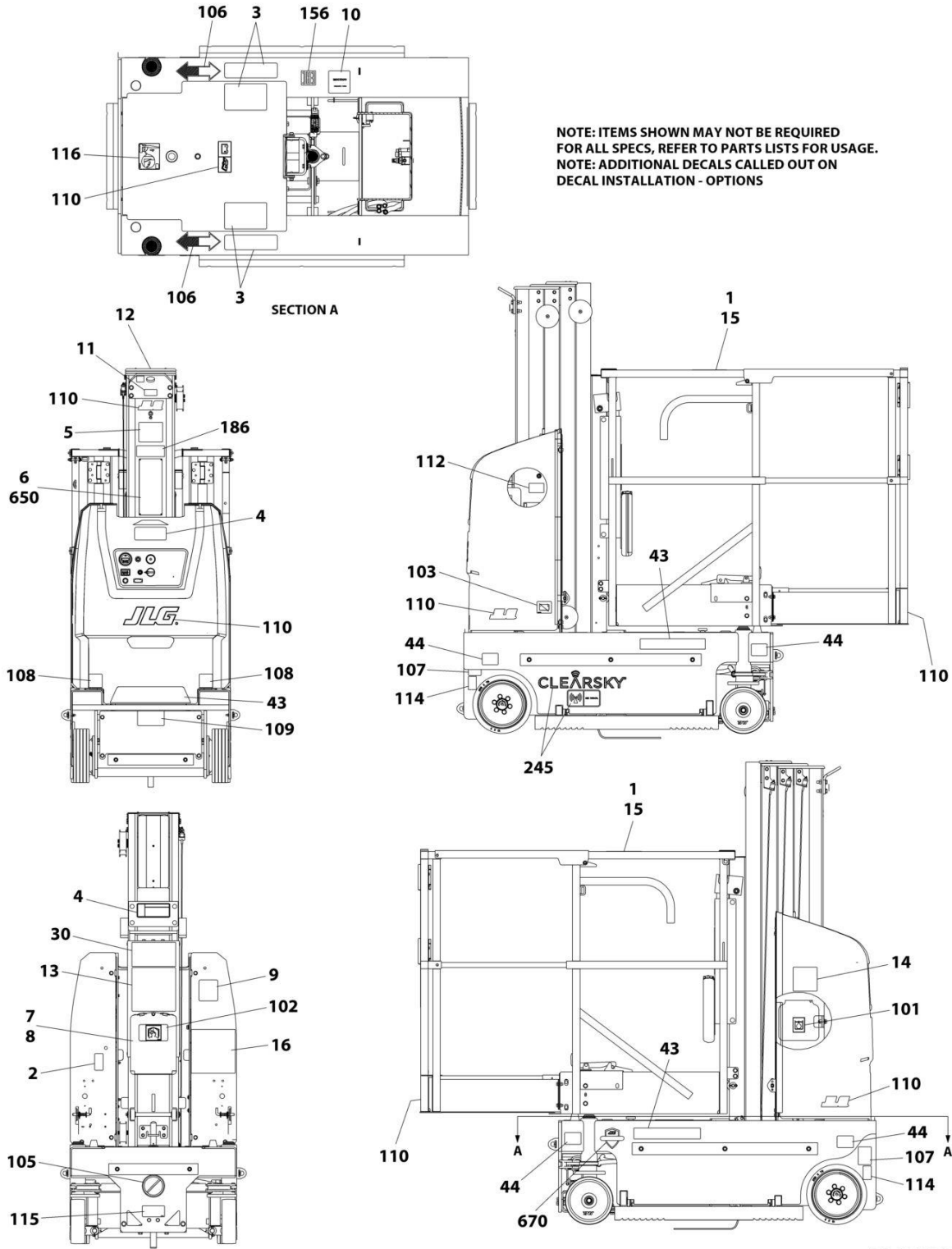
## SECTION 8 - DECALS

**FIGURE 8-5. DECALS INSTALLATION (CSA SPECS) (ENGLISH/FRENCH LANGUAGES)**

ITEM	PART NUMBER	QTY	DESCRIPTION	REV
	1001269857	Ref	DECAL INSTALLATION (CSA SPECS) (ENGLISH/FRENCH LANGUAGES)	B
	1001269850	Ref	DECAL CHART DRAWING	K
1	1705959	1	Decal - Control Box Location	
2	1001162897	1	Decal - Warning Fire Hazard	
3	1001162896	2	Decal - Crushing Hazard	
4	1001282019	2	Decal - Danger Electrocutation	
6	3820001	4	Rivet	
7	3820032	3	Rivet	
8	8990147	1	Box, Manual	
9	1001131273	1	Decal - Patent	
10	1001223971	1	Decal - Yearly Inspection	
11	1001228370	1	Decal - Ices (Can) -001	
13	1001272920	1	Decal - Warning/Instruction	
14	N.S.S.	NSS	Decal - Bar Code (Note: Not Available For Purchase)	
15	4420062	6 in /15 cm	Tape	
16	1001279429	1	Decal - Warning/Instruction	
100	1001270445	1	Decal Kit - Common	C
101	1701504	1	Decal - Hydraulic Oil	
102	1701640	1	Decal - Manual	
103	1702155	1	Decal - Battery Disconnect	
105	1703072	1	Decal - No Forklift	
106	1703687	2	Decal - Direction Arrow	
107	1703814	2	Decal - Tie Down	
108	1703817	2	Decal - Fork Lift	
109	1705016	1	Decal - Manual Descent	
110	1001261105	1	Decal - Battery/Charger Service	
112	1001269897	1	Decal - Fuse Holder	
114	1703455	2	Decal - Crane Hook	
115	1001162864	1	Decal - Lift Point/Tie Down	
116	1001280548	1	Decal Safety - Prop	

# SECTION 8 - DECALS

## FIGURE 8-6. DECALS INSTALLATION (LATIN AMERICAN SPECS) (SPANISH/ENGLISH LANGUAGES)



ART\_1001269854

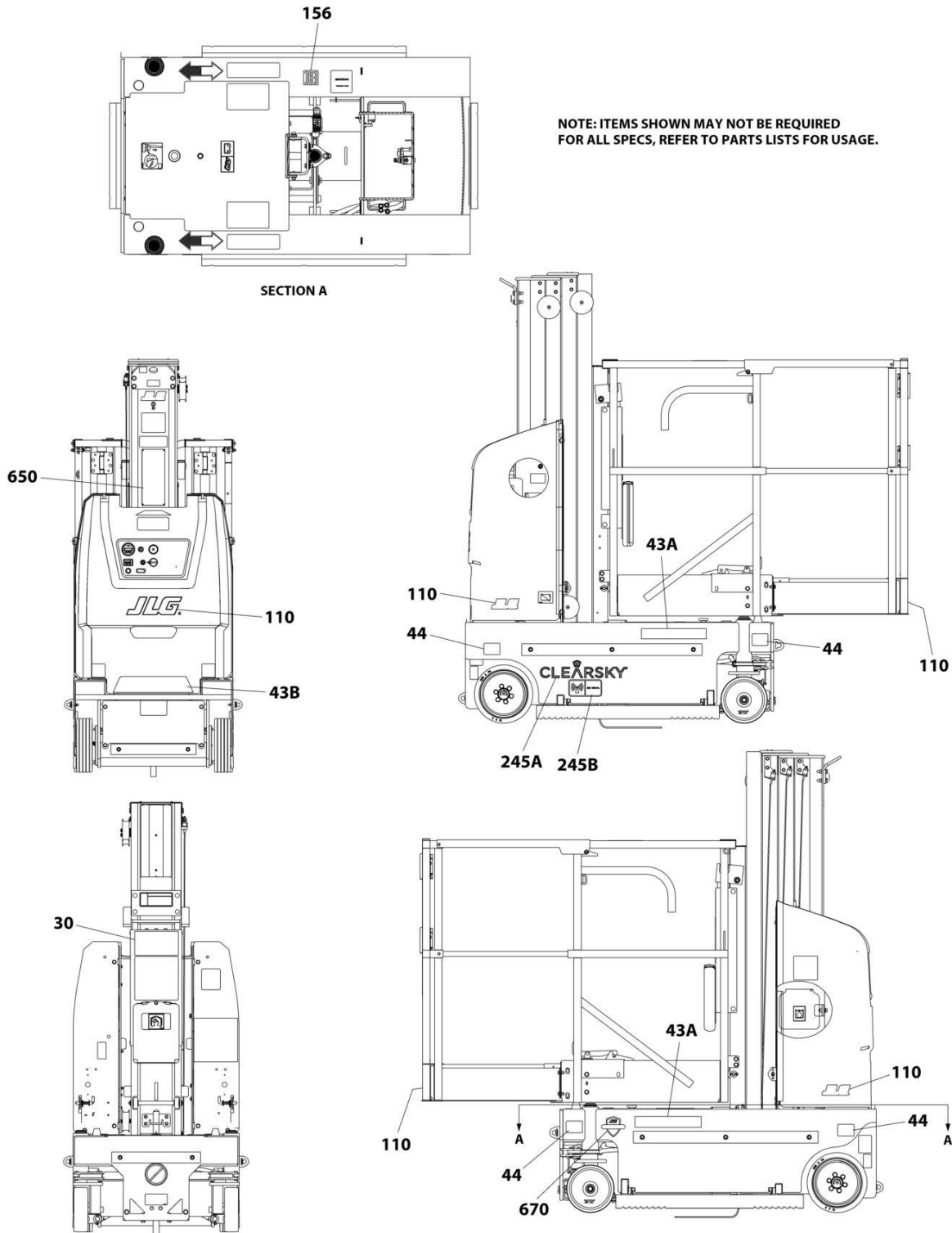
## SECTION 8 - DECALS

**FIGURE 8-6. DECALS INSTALLATION (LATIN AMERICAN SPECS) (SPANISH/ENGLISH LANGUAGES)**

ITEM	PART NUMBER	QTY	DESCRIPTION	REV
	1001269854	Ref	DECAL INSTALLATION (LATIN AMERICAN SPECS) (SPANISH/ENGLISH LANGUAGES)	B
	1001269850	Ref	DECAL CHART DRAWING	K
1	1703685	1	Decal - Control Box Location	
2	1704031	1	Decal - Warning Fire Hazard	
3	1704032	2	Decal - Crushing Hazard	
4	1001282020	2	Decal - Danger Electrocution	
6	3820001	4	Rivet	
7	3820032	3	Rivet	
8	8990147	1	Box, Manual	
10	1001224049	1	Decal - Yearly Inspection	
13	1001279428	1	Decal - Warning/Instruction	
14	N.S.S.	NSS	Decal - Bar Code (Note: Not Available For Purchase)	
15	4420062	6 in /15 cm	Tape	
100	1001270445	1	Decal Kit - Common	C
101	1701504	1	Decal - Hydraulic Oil	
102	1701640	1	Decal - Manual	
103	1702155	1	Decal - Battery Disconnect	
105	1703072	1	Decal - No Forklift	
106	1703687	2	Decal - Direction Arrow	
107	1703814	2	Decal - Tie Down	
108	1703817	2	Decal - Fork Lift	
109	1705016	1	Decal - Manual Descent	
110	1001261105	1	Decal - Battery/Charger Service	
112	1001269897	1	Decal - Fuse Holder	
114	1703455	2	Decal - Crane Hook	
115	1001162864	1	Decal - Lift Point/Tie Down	
116	1001280548	1	Decal Safety - Prop	

# SECTION 8 - DECALS

## FIGURE 8-7. DECAL INSTALLATION - OPTIONS



ART\_31221301\_DECAL\_OPTIONS

## SECTION 8 - DECALS

**FIGURE 8-7. DECAL INSTALLATION - OPTIONS**

ITEM	PART NUMBER	QTY	DESCRIPTION	REV
	1001280000	Ref	DECAL OPTIONS	
	1001269850	Ref	DECAL CHART DRAWING	K
30	1001279424	1	Decal - Capacity (Indoor & Outdoor Use Machines)	
30	1001279423	1	Decal - Capacity (Indoor Only Use Machines)	
43	1001280904	Ref	Decal Installation (E18MCL)	A
43	1001280905	Ref	Decal Installation (E18MML)	
43	1001280906	Ref	Decal Installation (E18MSP)	A
43A	1001277917	2	Decal - Model Designation (E18MCL)	
43A	1001277918	2	Decal - Model Designation (E18MML)	
43A	1001277919	2	Decal - Model Designation (E18MSP)	
43B	1001279425	1	Decal - Model Designation (E18MCL)	
43B	1001279426	1	Decal - Model Designation (E18MML)	
43B	1001279427	1	Decal - Model Designation (E18MSP)	
44	1001258494	1	Decal - Maximum Wheel Load	
110	1001280767	Ref	Decal Installation - JLG Logo	B
110	1703681	4	Decal - JLG	
156	1001173703	1	Decal - EAC (Russian Specs)	
245	1001236984	Ref	ClearSky Decals Installation	
245A	1001116208	1	Decal - ClearSky	
245B	1001120989	1	Decal - Radio Frequency	
650	N.S.S.	NSS	Nameplate - Manufacturers Serial Number (Note: Not Available for Purchase)	
670	1001262581	1	Decal - Clean Guard	



## **SECTION 9 - RECOMMENDED SERVICE PARTS STOCK**

## **SECTION 9 - RECOMMENDED SERVICE PARTS STOCK**

## SECTION 9 - RECOMMENDED SERVICE PARTS STOCK

FIGURE 9-1. RECOMMENDED SERVICE PARTS STOCK

ITEM	PART NUMBER	QTY	DESCRIPTION	REV
		Ref	<b>Note: The following list will service one machine (built to current production per date on the front cover) with emergency repair parts which can be installed in the field. Parts from the list should be replaced when inventory is depleted to keep service parts stock supplied. For further information, contact your JLG dealer or the JLG Industries Parts Department.</b>	
	1001189171	1	Breaker, 30mAmp (220V AC Boxes)	
	1001189172	1	Breaker, Double 16AMP (220V AC Boxes)	
	1001181045	1	Breaker, Double 30mAmp/16Amp (220V Ground AC Boxes)	
	70001025	1	Breather, Plug (Pump & Motor Assembly)	
	7020176	1	Contact Block (at Emergency Switch)	
	1600402	1	Controller, Joystick (Platform)	
	7026165	12	Filter (Pump & Motor Assembly)	
	2120183	12	Filter, In-Line	
	8229244	2	Fuse 1.5Amp (Chassis Harness at Ground Emergency Stop)	
	1001196838	2	Fuse 3Amp (Mobile Control)	
	1001170760	2	Fuse 5Amp (Chassis Harness at Brake)	
	1001142498	2	Fuse 5Amp (Chassis Harness at Platform Emergency Stop & Telematics)	
	7020174	1	Key, Replacement	
	1001272659	1	Module, ClearSky Telematics (Includes Antenna) GT-1030 (3-Wire)	
	1001236144	1	Module, ClearSky Telematics 3G (Canbus) (Australian Specs)	
	1001268803	1	Module, ClearSky Telematics 3G (Canbus) (CE Specs)	
	1001262322	1	Module, ClearSky Telematics 4G (Canbus)	
	1001246144	1	Module, ClearSky Telematics Antenna 3G (Canbus)	
	1001262327	1	Module, ClearSky Telematics Antenna 4G (Canbus)	
	1001243107	1	Module, Drive	
	1001200629	1	Module, Logic	
	1001274605	1	Module, Platform Control	
	3740150	1	Relay (at Ground Controls)	
	1001186466	1	Sensor (Tilt)	
	1001204939	1	Sensor, Angle (Steer)	
	4360514	1	Sensor, Proximity (Electrical Components Installation)	
	1001102771	1	Sensor, Temperature (Main Harness)	
	4360475	1	Switch, Emergency Stop (Ground Control & Platform)	
	4360469	1	Switch, Key (Ground Control)	
	1001109088	1	Switch, Plunger (Load Sensing System)	
	4360573	1	Switch, Proximity (Platform Gate)	
	4360387	1	Switch, Push Button (Ground Control)	
	1001226749	1	Switch, Push Button (Platform Control)	
	1001203871	1	Switch, Roller (Pothole Protection & Ground Controls)	
	4360328	1	Switch, Toggle (Ground Control)	
	1001258446	1	Switch, Toggle (Platform Control)	

**SECTION 10 - SPECIAL OPTIONS/ACCESSORIES/KITS**

**SECTION 10 - SPECIAL OPTIONS/ACCESSORIES/KITS**

## SECTION 10 - SPECIAL OPTIONS/ACCESSORIES/KITS

FIGURE 10-1. SPECIAL OPTIONS/ACCESSORIES/KITS

ITEM	PART NUMBER	QTY	DESCRIPTION	REV
		Ref	Note: This list is to accommodate machines ordered with special equipment. Options may not be applicable to all models. For more specific parts information contact JLG Parts Department.	
		Ref	<b>MISCELLANEOUS SPECIAL OPTIONS/ACCESSORIES/KITS</b>	
	1001279676	1	Anti-Vandalism Package	
	1001286380	1	Anti-Vandalism Kit	
	1001286379	1	Beacon (Dual) Cover Kit	
	1001286384	1	Clean Guard Kit (E18MCL)	
	1001286385	1	Clean Guard Kit (E18MML)	
	0271297	1	Crane Hook Installation	
	1001303993	1	ClearSky (CS550) Installation	
	1001293899	1	Plug Installation (No ClearSky)	
	1001296855	1	ClearSky Decal Installation	
	1001286629	1	ClearSky Kit	
	1001286630	1	ClearSky (CE & UK CA Spec) Kit	
	1001286631	1	ClearSky (Australian Spec) Kit	
	1001286632	1	ClearSky Kit (GT1030)	
	1001286655	1	Decal Kit	
		Ref	<b>Electrical Connectors Kits:</b>	
	1001148902	1	Electrical Connector Kit - Amp/Tyco Electrical Connectors	
	1001148903	1	Electrical Connector Kit - Deutsch DT Electrical Connectors	
	1001148904	1	Electrical Connector Kit - Deutsch HD Electrical Connectors	
	1001148905	1	Electrical Connector Kit - Packard Electrical Connectors	
	1001148906	1	Electrical Connector Kit - Various Electrical Connectors	
	1001288205	1	Floormat Instalaltion	
	1001286381	1	Gate Alarm Kit	
	1001308195	1	Ladder Kit	
	1001286656	Ref	Service Kits	B
	1001289974	1	Shipping Container (No Skid)	
	1580035	1	Shipping Container Skid	
	1001304409	1	Tool Tray Installation	
	1001281951	1	USB/Phone Cradle Kit	

## SECTION 10 - SPECIAL OPTIONS/ACCESSORIES/KITS

### PART NUMBER INDEX

## SECTION 10 - SPECIAL OPTIONS/ACCESSORIES/KITS

0060087.....80, 86, 92	0861880..... 177	1001151629 ..... 185	1001224049.....241
0100011....13, 15, 17, 23, 31, 41, 43, 49, 51, 53, 55, 57, 63, 67, 73, 80, 86, 92, 99, 101, 103, 105, 109, 115	0902047 ..... 80, 86, 92	1001152266 ..... 186	1001224051.....237
0100019....77, 81, 82, 87, 88, 93, 94	0902423 ..... 80, 86, 92	1001152483 ..... 179	1001224052.....233
0100048.....49	0902424 ..... 80, 86, 92	1001152484 ..... 147, 149, 179	1001226636.....197
0100051.....49, 155, 157, 159, 161	0902431 ..... 80, 86	1001152595 ..... 207	1001226637.....197
0100081.....73	0902445 ..... 80, 86, 92	1001159186 ..... 185, 213	1001226749...69, 71, 246
0140030.....69, 71	0902698 ..... 80, 86, 92	1001162864 ..... 231, 233, 235, 237, 239, 241	1001228370.....231, 239
0140043.....49	0902775 ..... 80, 86	1001162886 ..... 185	1001228954.....193
0271297.....248	0940083 ..... 99, 101, 103	1001162887 ..... 185, 211	1001230931.....186
0275217.....151, 227	0940088 ..... 33	1001162896 ..... 239	1001231801.....231
0275452.....147, 223	0940105 ..... 35	1001162897 ..... 239	1001235146.....81, 87, 93
0275453.....149, 225	0961892 ..... 99, 101, 103	1001163340 ..... 185, 211	1001236144.....191, 193, 246
0275454.....145, 221	1001047064 ..... 69, 71	1001170760 ..... 186, 246	1001236849.....23
0362735.....80, 86, 92	1001091102 .... 23, 49, 63	1001173703 ..... 243	1001236984.....243
0362736.....80, 86, 92	1001096054 ..... 203, 205	1001180620 ..... 15	1001239224.....59, 61
0440248.....80, 86, 92	1001096612 ..... 145, 151, 177	1001181045 ..... 177, 246	1001239661.....59, 61
0440249.....80, 86, 92	1001096767 ..... 141, 219	1001186466 ..... 67, 246	1001241321.....205, 217
0440259.....15	1001097150 ..... 177, 179	1001187073 ..... 186	1001241601.....21
0440263.....23	1001097347 ..... 197, 209	1001187861 ..... 31	1001243107.....49, 246
0561149....81, 82, 87, 88, 93, 94	1001097982 ..... 13	1001189171 ..... 179, 246	1001245139.....21
0561153.....81, 87, 93	1001098192 ..... 71	1001189172 ..... 179, 246	1001245293.....65
0561341.....80, 86, 92	1001099638 .. 97, 99, 101, 103, 105, 109, 113	1001192401 ..... 186	1001246144.....191, 246
0561408....81, 82, 87, 88, 93, 94	1001100342 ..... 227	1001193545 ..... 183	1001248768.....65
0561409.....81, 87, 93	1001100345 ..... 223	1001194421 ..... 213	1001250937.....53, 55
0641406.....97, 101, 105, 113	1001100346 ..... 221	1001196589 ..... 186	1001253800.....117
0641416.....99, 103, 109	1001100347 ..... 225	1001196634 ..... 199	1001254544.....49
0641618.....63	1001102771 ..... 186, 246	1001196838 ..... 65, 246	1001255483.....63
0641638.....63	1001103012 ..... 186	1001197099 ..... 49	1001255901.....199
0700612.....65	1001104498 ..... 186	1001200561 ..... 51	1001258379.....49
0700616.....49	1001109088 ..... 63, 246	1001200629 ..... 49, 246	1001258446...69, 71, 246
0700618.....115	1001109786 ... 63, 81, 87, 93	1001200632 ..... 49	1001258494.....243
0700627.....43	1001110544 .... 15, 59, 61	1001200819 .. 69, 71, 213	1001260788.....185
0700835.....69, 71	1001110712 ..... 25	1001201885 ..... 213	1001260837..97, 99, 101, 103, 105, 109, 113
0701016.....15	1001110873 ..... 143, 219	1001202184 ..... 203, 215	1001261105.....231, 233, 235, 237, 239, 241
0721006....145, 147, 149, 151	1001112112 ..... 155	1001202988 ..... 23	1001261131.....117
0741006.....80, 86, 92	1001116208 ..... 243	1001203869 ..... 23	1001262150.....117
0741606.....80, 86, 92	1001116731 ..... 197	1001203870 ..... 23	1001262221.....119
0751003.....201	1001116732 ..... 197, 209	1001203871 ..... 23, 246	1001262221.....119
0760408....141, 143, 145, 147, 149, 151, 153	1001116732 ..... 197, 209	1001203872 ..... 23	1001262322.....189, 246
0760508.....203, 205	1001116748 ..... 186	1001204939 ..... 15, 246	1001262327.....189, 246
0760605.....55, 57	1001116812 ..... 197, 211	1001205409 ..... 185, 211	1001262581...25, 27, 243
0760608.....51, 53	1001117000 ..... 185	1001205410 ..... 185	1001262655.....69, 71
0760610.....69, 71	1001117057 ..... 197, 209	1001205411 ..... 185	1001267886....81, 87, 93, 123
0760612.....55, 57	1001117969 ..... 15	1001205412 ..... 185	1001267931.....81, 87, 93
0760814.....15	1001118274 ..... 31, 73	1001205422 63, 106, 110	1001267932.....77
0761014.....13	1001118387 ..... 185	1001207734 ..... 49	1001268478.99, 103, 110
0780614.....37	1001118812 ..... 185	1001207735 ..... 57, 181	1001268479.99, 103, 110
0780615.....35, 203, 205	1001120989 ..... 243	1001207970 ..... 163	1001268481.....105, 109
0781015.....25, 27, 29	1001125677 ..... 186	1001207973 ..... 169	1001268482.....109
0791003.....80, 86, 92	1001130220 ..... 69, 71	1001207974 .... 165, 167, 171, 173, 175	1001268483.....109
0811408.....80, 86, 92	1001131273 ..... 231, 239	1001208852 .... 106, 110	1001268484.....109
0811608.....41, 43, 77	1001132358 ..... 69, 71	1001209596 ..... 69, 71	1001268487.....105, 109
0811812.....80, 86, 92	1001132361 ..... 69, 71	1001212035 ..... 213	1001268494.....105, 109
0861731....143, 153, 219, 221, 223, 225	1001142498 ..... 186, 246	1001212036 ..... 213	1001268669.....155, 157, 159, 161
0861781.....227	1001144147 .... 185, 197, 211	1001212068 ..... 23	1001268670.....155, 157, 159, 161
	1001144295 .... 129, 159, 161	1001213448 ..... 186	1001268802.....65, 211
	1001144296 ..... 186	1001213886 ..... 69, 71	1001268803.....189, 191, 193, 197, 246
	1001148902 ..... 248	1001215953 ..... 23	1001268896.....113
	1001148903 ..... 248	1001216180 ..... 157	1001268897.....113
	1001148904 ..... 248	1001218285 ..... 69, 71	1001268898.....113
	1001148905 ..... 248	1001220379 ..... 186	1001268902.....63
	1001148906 ..... 248	1001220893 ..... 69, 71	
	1001151393 ..... 49	1001223055 ..... 231	
		1001223971 ..... 239	

## SECTION 10 - SPECIAL OPTIONS/ACCESSORIES/KITS

1001269010 ..... 155, 157	1001270040..... 51	1001277921..... 203, 205	1001287098 ..... 15
1001269011 ..... 155, 157	1001270041..... 157	1001278116..... 13	1001287099 ..... 15
1001269012 ..... 155, 157	1001270042..... 67	1001278168..... 65	1001287802 ..... 41, 43
1001269037 .... 81, 87, 93	1001270043..... 35	1001279423..... 243	1001288205 ..... 248
1001269038 .... 81, 87, 93	1001270044..... 31	1001279424..... 243	1001288888 ..... 159
1001269039 .... 81, 87, 93	1001270137..... 81, 87, 93	1001279425..... 243	1001289395 ..... 15
1001269041 .... 81, 87, 93	1001270140..... 31	1001279426..... 243	1001289771 ..... 105, 109
1001269042 .... 81, 87, 93	1001270169..... 17, 19	1001279427..... 243	1001289804 ..... 203, 205, 207
1001269091 .... 81, 87, 93	1001270178..... 189	1001279428..... 241	1001289825 ..... 155, 157
1001269092 .... 81, 87, 93	1001270203..... 49	1001279429..... 239	1001289826 ..... 31
1001269093 .... 81, 87, 93	1001270204..... 49	1001279430..... 233	1001289868 ..... 203, 205
1001269171 ..... 155, 157	1001270445..... 231, 233, 235, 237, 239, 241	1001279431..... 237	1001289974 ..... 248
1001269197 .... 81, 87, 93	1001270478..... 155, 157	1001279461..... 31	1001290903 ..... 175
1001269204 ..... 155, 157, 159, 161	1001270589..... 81, 87, 93	1001279486..... 27	1001290904 ..... 163
1001269237 ..... 131	1001270617..... 147	1001279676..... 248	1001290905 ..... 167
1001269238 ..... 131	1001270618..... 149	1001279684..... 25, 27	1001290906 ..... 165
1001269239 ..... 131	1001270619..... 145	1001280000..... 243	1001290907 ..... 173
1001269240 ..... 131	1001270620..... 151	1001280217..... 73	1001290908 ..... 171
1001269241 ..... 131	1001270627..... 143	1001280547 97, 105, 109, 113	1001290909 ..... 169
1001269242 ..... 131	1001270702..... 99, 103	1001280548..... 231, 233, 235, 237, 239, 241	1001291035 ..... 163, 165, 167, 169, 171, 173, 175
1001269243 ..... 129	1001270703..... 103	1001280767..... 243	1001291286 ..... 209
1001269244 ..... 129	1001270761..... 141	1001280835..... 101, 106	1001291287 ..... 209
1001269323 ..... 81	1001270762..... 153	1001280836..... 101, 106	1001292131 ..... 155
1001269325 ..... 81	1001270819..... 193	1001280838..... 97	1001293274 ..... 115
1001269326 ..... 81, 82	1001270820..... 191	1001280840..... 105	1001293275 ..... 115
1001269372 ..... 106, 110	1001271448..... 73	1001280841..... 105	1001293281 ..... 115
1001269402 .... 81, 87, 93	1001271449..... 73	1001280843..... 97	1001293899 ..... 248
1001269427 ..... 63	1001271539..... 73	1001280844..... 101	1001295000 ..... 161
1001269428 ..... 63	1001271572..... 27, 29	1001280845..... 105	1001295888 ..... 57
1001269429 ..... 63	1001271573..... 29	1001280846..... 97	1001296124 ..... 115
1001269431 ..... 63	1001271815..... 63	1001280847..... 101	1001296129 ..... 53, 55
1001269482 ..... 71	1001271818..... 63	1001280848..... 99	1001296522 ..... 115
1001269512 ..... 63	1001271823.. 97, 99, 101, 103, 105, 109, 113	1001280904..... 243	1001296540 ..... 161
1001269613 ..... 15	1001271838..... 63	1001280905..... 243	1001296541 ..... 55, 57
1001269614 ..... 15	1001272659..... 195, 246	1001280906..... 243	1001296542 ..... 159
1001269615 ..... 15	1001272868..... 185, 186	1001281080..... 105, 109	1001296545 ..... 159
1001269616 ..... 15	1001272920..... 231, 239	1001281081..... 105, 109	1001296594 ..... 161
1001269620 ..... 13	1001272997..... 199	1001281201..... 106, 110	1001296595 ..... 159
1001269665 ..... 23	1001273006..... 73	1001281202..... 106, 110	1001296596 ..... 53
1001269666 ..... 23	1001273012..... 195, 199	1001281651..... 106, 110	1001296597 ..... 55
1001269669 ..... 23	1001273100..... 49	1001281741..... 201	1001296621 ..... 161
1001269670 ..... 23	1001273116..... 73	1001281742..... 201	1001296625 ..... 115
1001269696 ..... 43, 131	1001273312..... 73	1001281943..... 201	1001296855 ..... 248
1001269697 ..... 41, 129	1001273927..... 49	1001281951..... 248	1001296876 ..... 49, 185
1001269698 ..... 43, 47	1001274046..... 25	1001282019..... 239	1001297193 ..... 49
1001269703 ..... 15, 125	1001274047..... 25, 27	1001282020..... 241	1001297273 ..... 159, 161, 209
1001269744 ..... 33	1001274048..... 25, 27	1001282021..... 233	1001298067 ..... 159, 161
1001269850 ..... 231, 233, 235, 237, 239, 241, 243	1001274049..... 25	1001282022..... 237	1001298250 ..... 37
1001269851 ..... 231	1001274050..... 25	1001282031..... 105, 109	1001298294 ..... 37
1001269853 ..... 235	1001274168..... 117	1001282098..... 205	1001298845 ..... 159, 161
1001269854 ..... 241	1001274554..... 17	1001284505..... 63	1001298864 ..... 161
1001269855 ..... 233	1001274604..... 69	1001284507..... 23, 49	1001298939 ..... 161
1001269856 ..... 237	1001274605... 69, 71, 246	1001284654..... 195	1001300072 ..... 53
1001269857 ..... 239	1001274649..... 63	1001285149..... 15	1001300505 ..... 23
1001269862 ... 77, 80, 86, 92	1001274661..... 119	1001286379..... 248	1001300767 ... 87, 88, 93, 94
1001269897 ..... 231, 233, 235, 237, 239, 241	1001274882..... 155, 157	1001286380..... 248	1001300768 ..... 87, 93
1001269927 ..... 15	1001274988..... 35	1001286381..... 248	1001300769 ... 87, 88, 93, 94
1001269940 ..... 71	1001275000..... 23	1001286384..... 248	1001300770 ..... 87, 93
1001270018 ..... 13	1001276658..... 145, 147, 149, 151	1001286385..... 248	1001301136 ..... 13
1001270034 ..... 59	1001276940..... 105, 109	1001286629..... 248	1001301137 ..... 13
1001270036 ..... 65	1001277726..... 31	1001286630..... 248	1001301874 ..... 159
1001270038 ..... 203	1001277917..... 243	1001286631..... 248	1001303993 ..... 248
1001270039 ..... 21	1001277918..... 243	1001286632..... 248	
	1001277919..... 243	1001286655..... 248	
		1001286656..... 248	

## SECTION 10 - SPECIAL OPTIONS/ACCESSORIES/KITS

1001304409.....248	1705803.....235	3422752.....80, 86, 92	4070990.....80, 86, 92
1001305789.....161	1705959.....235, 239	3422757.....80, 86, 92	4071058.....49
1001305790.....159	1706493.....97, 101, 105, 113	3423037.....15	4071077.....13
1001305879.....92	1706832.....231	3423243.....73	4071078.....13
1001305890.....55	2080040.....99, 101, 103, 105, 109, 115	3423278.....69, 71	4071095.....99, 103, 109
1001305964.....92	2080043...80, 86, 92, 99, 103, 109	3430636.....23	4160124.....80, 86, 92
1001306497.....61	2080063.....97, 101, 105, 109, 113	3430814.....105, 109	4160130.....203, 205
1001308195.....248	2110604.....131	3430816.....105, 110	4160202.....23
1001308941.....159	2110606.....129, 131	3431212.....23	4160205.....63
1001308987.....159	2120183.....129, 131, 246	3431218.....23	4160214.....73, 115
1001308988.....159	2150606.....129, 131	3450303.....23, 73	4220309.....99, 103, 109
1001311426.....57	2170104.....129, 131	3450304...81, 82, 87, 88, 93, 94	4240017.....65, 141, 143, 145, 147, 149, 151, 153, 163, 165, 167, 169, 171, 173, 175, 189, 191, 193, 201
1001311745.....57, 183	2170106.....131	3450403.....63, 105, 109	4240099.....67, 155, 157, 161, 195
1001314633.....159	2170108.....129, 131	3450405.....23	4240147.....49
1001314774.....53, 55, 57	2220883.....45, 47	3520028.....99, 101, 103, 105, 110	4300111...81, 82, 87, 88, 93, 94
1060697.....25, 27	2221123.....129, 131	352007297, 99, 101, 103, 105, 109, 113	4360328.....49, 246
1060908.....177, 179	2420172.....49	3570893.....80, 86, 92	4360387.....49, 246
1060920.....80, 86, 92	2600281.....103, 109	3571101...82, 87, 88, 93, 94	4360469.....49, 246
1260298.....81, 82	2600294.....99, 103, 109	3571103.....81, 87, 93	4360475...49, 69, 71, 246
1260299.....81	2700098.....99, 101, 103	3580269.....80, 86, 92	4360514.....49, 246
1320061.....203, 205	280013.....201	3580291.....80, 86, 92	4360573.....201, 246
1321293.....51, 53, 55	2880310.....80, 86, 92	3580293.....80, 86, 92	4420051.....105, 109
1380153.....15, 115	3121792.....65	3600463.....41, 43, 45	4420062..69, 71, 99, 101, 103, 105, 109, 231, 233, 235, 237, 239, 241
1560010.....97, 101, 105, 113	3252507.....153	3641542.....99, 101, 103	4460019.....181
1580019.....99	3252760...143, 145, 147, 149, 151	3740150.....49, 246	4460042.....185
1580035.....248	3252761.....141	3760233.....15	4460115.....185
1580051.....101, 103	3290305.....59, 61	3760383.....80, 86, 92	4460125.....143
1600402.....69, 246	3290405...49, 63, 69, 71, 141, 143, 145, 147, 149, 151, 153	3760496.....15	4460183....185, 209, 213
1670603.....153	3290505.....203, 205	3820001...231, 233, 235, 237, 239, 241	4460205.....143
1701504...231, 233, 235, 237, 239, 241	3290601.....43	382001297, 99, 101, 103, 105, 109, 113	4460226.....183, 186
1701640...231, 233, 235, 237, 239, 241	3290605...25, 27, 35, 37, 49, 55, 57, 65, 67, 97, 99, 101, 103, 105, 109, 113, 161, 189, 191, 193, 203, 205	3820019.....201	4460227.....185
1702155...231, 233, 235, 237, 239, 241	3290606...101, 105, 109, 115	3820032.80, 86, 92, 231, 233, 235, 237, 239, 241	4460234....189, 191, 193
1703072...231, 233, 235, 237, 239, 241	3290801.....23	3841692.....97, 101, 106, 113	4460247.....185, 209
1703455...231, 233, 235, 237, 239, 241	3290805.....15, 23	3900187.....80, 86, 92	4460259.....185
1703681.....243	3290806.....69, 71	3900190 31, 99, 101, 103	4460260.....185
1703684.....231	3291005...25, 27, 29, 49, 159	3900192.....80, 86, 92	4460265.....213
1703685.....241	3291007.....13	3910804.....159, 161	4460267.....213
1703686.....233	3300492.....63	3940604.....81, 87, 93	4460268.....201
1703687...231, 233, 235, 237, 239, 241	3311005...145, 147, 149, 151	4010303.....15	4460312.....186
1703751.....237	3311401...63, 80, 86, 92, 99, 101, 103	4010308.....59, 61	4460320....183, 186, 201
1703785.....231	3311405.....23	4010403.....49	4460346.....219
1703786.....231	3311601...63, 77, 80, 86, 92	4010612002.....105, 109	4460418.....185, 213
1703814...231, 233, 235, 237, 239, 241	3340845.....80, 86, 92	4010616...101, 105, 106, 109	4460424.....201
1703817...231, 233, 235, 237, 239, 241	3422338...81, 82, 87, 88, 93, 94	4010618.....105, 109	4460464....185, 186, 197, 199, 201, 207, 209, 211, 213, 215, 217
1703819.....65, 69, 71	3422346...81, 82, 87, 88, 93, 94	4031509.....69, 71	4460465....185, 186, 207, 211, 215, 217
1704023.....233	3422355...81, 82, 87, 88, 93, 94	4031510.....15	4460466....185, 186, 197, 201, 207, 209, 211, 213, 215, 217
1704024.....233	3422717.....80, 86, 92	4031511.....23, 63	4460496.....69, 71
1704031.....241	3422750.....80, 86, 92	4031514.....49	4460497.....69, 71
1704032.....241		4031710.....49, 67	4460536.....201
1704079.....237		4060803.....69, 71, 73	4460539.....185, 217
1704081.....237		4060906.....69, 71	4460549.....219
1704260.....69, 71		4070860.....80, 86, 92	4460648.....181
170436697, 99, 101, 103, 105, 109, 113		4070861.....80, 86, 92	4460662....141, 143, 145, 147, 149, 151, 153
1705016...231, 233, 235, 237, 239, 241		4070862.....80, 86, 92	
1705099.....235		4070970.....80, 86, 92	
1705802.....235		4070971.....80, 86, 92	
		4070988.....80, 86, 92	
		4070989.....80, 86, 92	

## SECTION 10 - SPECIAL OPTIONS/ACCESSORIES/KITS

4460670 .....	186	4711400 .....	81, 87, 93	525081023, 31, 105, 109,		70007920 .....	19
4460746 .....	185, 211	4711500 .....	81, 87, 93, 105,	155, 157, 159		70007921 .....	19
4460748 .....	186	109		5250812.....	23, 31, 63, 73	70007922 .....	19
4460754 .....	215, 217	4711600 .....	63, 99, 101, 103	5250816.....	23	70007923 .....	19
4460761 .....	185	4711700 .....	15, 69, 71	5250818.....	106, 110	70007924 .....	19
4460871 .....	186	4711800 .....	63, 109	5251012.....	13, 17	70007925 .....	19
4460872 .....	186	4740007 .....	81, 87, 93	5251013.....	159	70007926 .....	19
4460873 .....	186	4740332 .....	15	5251014.....	49	70007927 .....	19
4460877 .....	185	4740414 .....	81, 87, 93	5260600.....	65	70007928 .....	19
4460884 ....	186, 207, 211	4750800 .....	49	5260800.....	63, 105	70007929 .....	19
4460891 ....	185, 186, 217	4751400 ....	97, 101, 106,	70001019.....	45	70007930 .....	19
4460894 .....	186, 207	113		70001020.....	45	70007931 .....	19
4460897 .....	185, 186	4751500 ...	31, 81, 82, 87,	70001021.....	45	70007932 .....	19
4460899 .....	215, 217	88, 93, 94		70001022.....	45	70007933 .....	19
4460905 .....	186	4751600 .....	63	70001023.....	45	70007934 .....	19
4460914 .....	186	4761000 ....	49, 81, 87, 93	70001024.....	45	70007936 .....	19
4460930 .....	186	4761400 .....	81, 87, 93	70001025.....	45, 246	70007951 .....	123
4460932 ....	197, 199, 211	481140069, 71, 141, 143,		70001026.....	45	70007952 .....	123
4460933 .....	185	145, 147, 149, 151, 153		70001027.....	45	70007953 .....	123
4460943 ...	185, 197, 207,	4811602 .....	203, 205	70001028.....	45	70007954 .....	123
209, 211, 215, 217		4811700 ...	25, 27, 35, 37,	70002215.....	45	70007955 .....	123
4460944 ...	185, 197, 207,	49, 51, 53, 55, 57, 65,		70003612.....	45	70007956 .....	123
211, 215, 217		69, 71, 97, 99, 101,		70003613.....	45	70008643 .....	47
4460956 .....	177	103, 105, 109, 113,		70007528.....	123	70008644 .....	47
4460957 .....	177	115, 189, 191, 193,		70007529.....	125	70008645 .....	47
4460970 ....	186, 207, 209	203, 205		70007551.....	19	70008646 .....	47
4461016 .....	213	4811702 ..	43, 57, 67, 161	7000790.....	19	70024262 .....	123
4461023 .....	185	4811900 ...	15, 23, 69, 71,	70007902.....	19	70025961 .....	123
4461070 .....	197	115		70007903.....	19	7020174 .....	246
4461196 .....	173	4811902 .....	23	70007904.....	19	7020175 .....	69
4461199 .....	171, 227	4812000 ...	15, 23, 25, 27,	70007905.....	19	7020176 .....	69, 246
4461201 .....	227	29, 49, 73, 115		70007906.....	19	7026165 .....	45, 246
4461205 ....	167, 223, 225	4812002 .....	13	70007907.....	19	7026330 .....	45
4461244 .....	223	4812100 .....	106, 110	70007909.....	19	7026335 .....	45
4461245 .....	225	4812500 .....	23	70007910.....	19	8220045 .....	186
4461246 .....	221	4846757 .....	15	70007911.....	19	8220050 .....	186
4461249 .....	165, 221	4871200 .....	15	70007912.....	19	8229244 .....	186, 246
4567489 .....	80, 86, 92	4891500 .....	81, 87, 93	70007913.....	19	8229249 .....	186
4567490 .....	80, 86, 92	4892600 .....	81, 87, 93	70007914.....	19	8990147 ...	231, 233, 235,
4567749 .....	80, 86, 92	5250608 .....	25, 27, 65	70007915.....	19	237, 239, 241	
4567750 .....	81, 87, 93	525061197, 99, 101, 103,		70007916.....	19		
4567751 .....	81, 87, 93	105, 109, 113		70007917.....	19		
4711000 ...	145, 147, 149,	5250612 ....	49, 189, 191,	70007918.....	19		
151		193, 203, 205		70007919.....	19		



**Corporate Office  
JLG Industries, Inc.  
1 JLG Drive  
McConnellsburg, PA 17233-9533 USA  
☎ (717) 485-5161 (Corporate)  
☎ (877) 554-5438 (Customer Support)  
📠 (717) 485-6417**

**Visit our website for JLG Worldwide Locations.  
[www.jlg.com](http://www.jlg.com)**



**OSHKOSH™**